

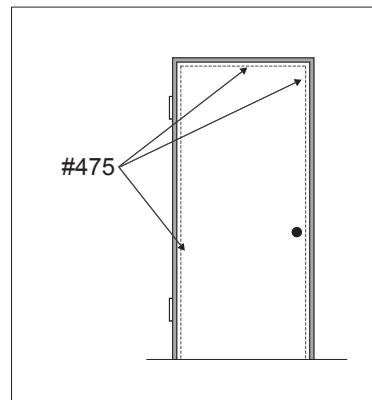
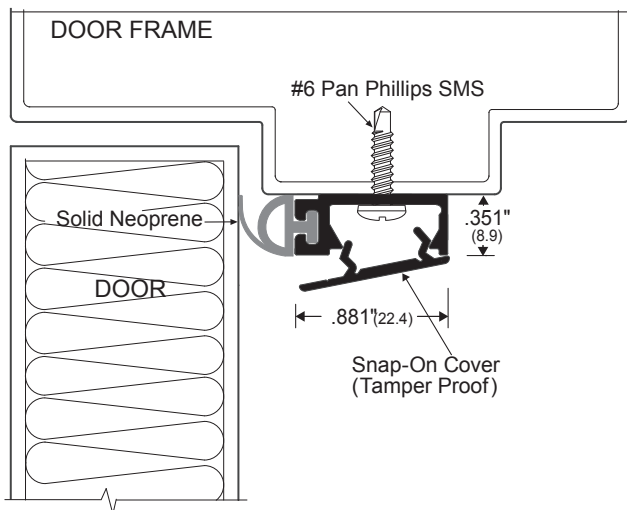


47255388

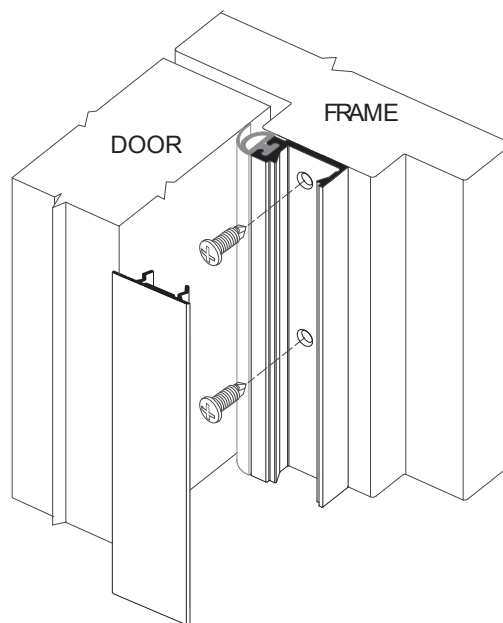
Model 475 Head and Jamb Protection



Installation Instructions



- 1 Close the door and measure the frame opening.
- 2 Install the seal (trim as necessary), head piece first. Place the piece against the face of door, making GENTLE contact between the rubber extrusion seal and the door. Fasten in place.
- 3 Place hinge side piece against the face of door, making GENTLE contact between the rubber extrusion seal and the door. Fasten in place. Repeat the same procedure with the lock side.
- 4 Snap the cover on after all screws are installed.



POSITIVE PRESSURE TESTED GASKETING MATERIALS FOR FIRE DOORS
 For application to hollow metal type fire doors rated up to 3 hours,
 fiberglass or wood composite type fire doors rated up to 1-1/2 hours,
 and wood type fire doors rated up to 20 minutes. Category J



Customer Service

1-877-671-7011

www.allegion.com/us

© Allegion 2017
 Printed in U.S.A.
 47255388 Rev. 05/17-c