



2720 Tobey Drive, Indianapolis, IN 46219
 Tel 1-877-671-7011 ■ Fax 800-851-0000
 Zero.Customer.Support@allegion.com
 www.zerointernational.com

Part No:

96

Part description:

Door sweep

Notes:

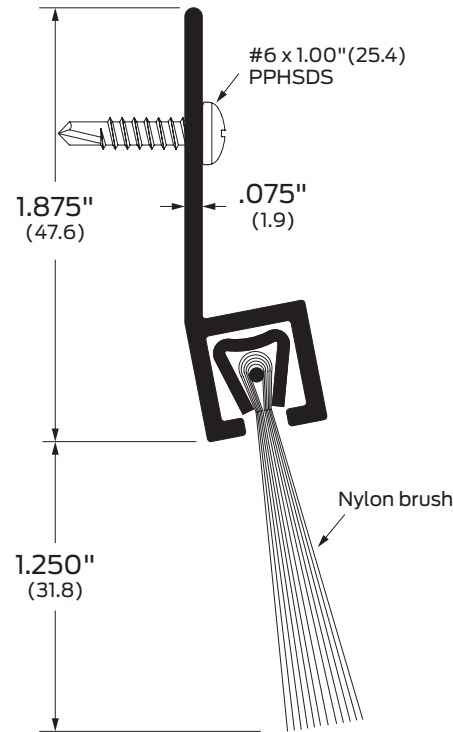
Provided by:

Customer name:

Job no:

Date:

Image may not be shown to scale



Notes:

Suitable for mixed-use commercial, hospitality, multi-family, as well as sliding barn doors.

ANSI/BHMA:

96A, 96BK, 96D, 96G

R3A436

Finishes:

- A** Aluminum mill finish
- BK** Aluminum black anodized
- D** Aluminum dark bronze anodized
- G** Aluminum gold anodized

Options:

- SEC** Security screws

