



2720 Tobey Drive, Indianapolis, IN 46219  
Tel 1-877-671-7011 ■ Fax 800-851-0000  
Zero.Customer.Support@allegion.com  
[www.zerointernational.com](http://www.zerointernational.com)

Part No:

511

Part description:

Door shoe

Notes:

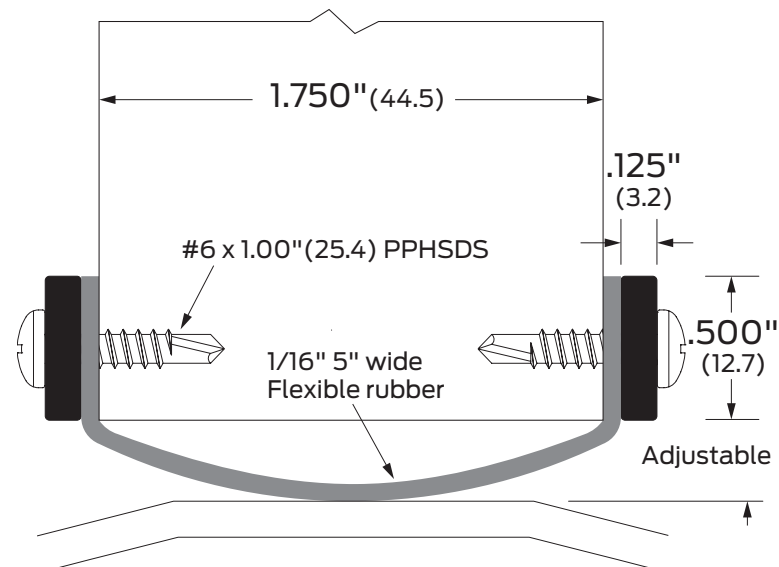
Provided by:

Customer name:


Job no:

Date:

Image may not be shown to scale



**Certifications:**

 Fire rated-UL10c

**Finishes:**

- A** Aluminum mill finish
- BK** Aluminum black anodized
- D** Aluminum dark bronze anodized
- G** Aluminum gold anodized

**Options:**

- SEC** Security screws