



2720 Tobey Drive, Indianapolis, IN 46219
 Tel 1-877-671-7011 ■ Fax 800-851-0000
 Zero.Customer.Support@allegion.com
 www.zerointernational.com

Part No:

40

Part description:

Meeting stile

Notes:

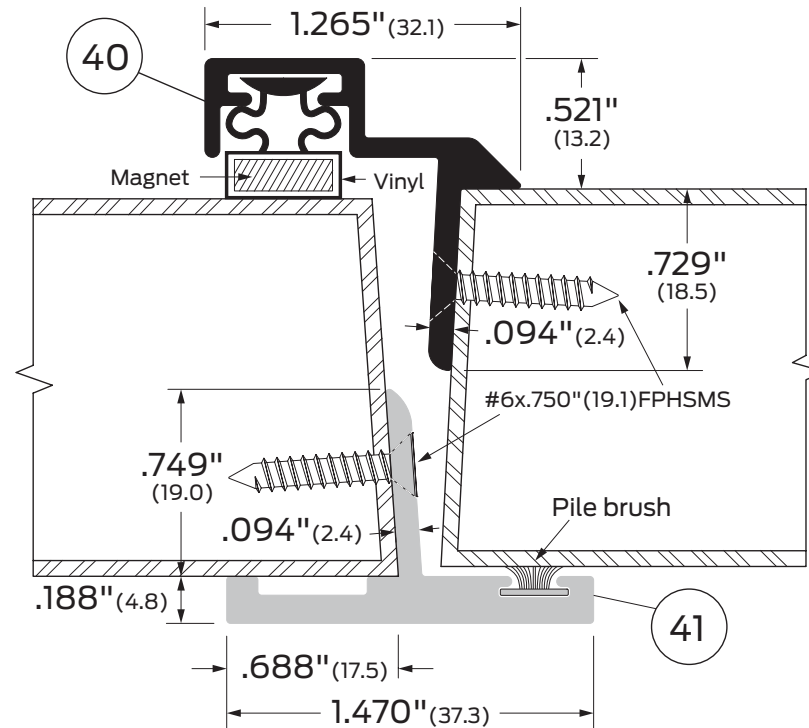
Provided by:

Customer name:

Job no:

Date:

Image may not be shown to scale



Notes:

Magnetic astragal, inswing. For use on interior metal doors only.
 Available to order as engineering special. Order components separately.

Certifications:

Fire rated-UL10c

ANSI/BHMA:

40AA, 40BK, 40D, 40G

R3L635

Finishes:

- AA** Aluminum clear anodized
- BK** Aluminum black anodized
- D** Aluminum dark bronze anodized
- G** Aluminum gold anodized

