



2720 Tobey Drive, Indianapolis, IN 46219  
 Tel 1-877-671-7011 ■ Fax 800-851-0000  
 Zero.Customer.Support@allegion.com  
 www.zerointernational.com

Part No:

365

Part description:

Automatic door bottom  
 Heavy duty

Notes:

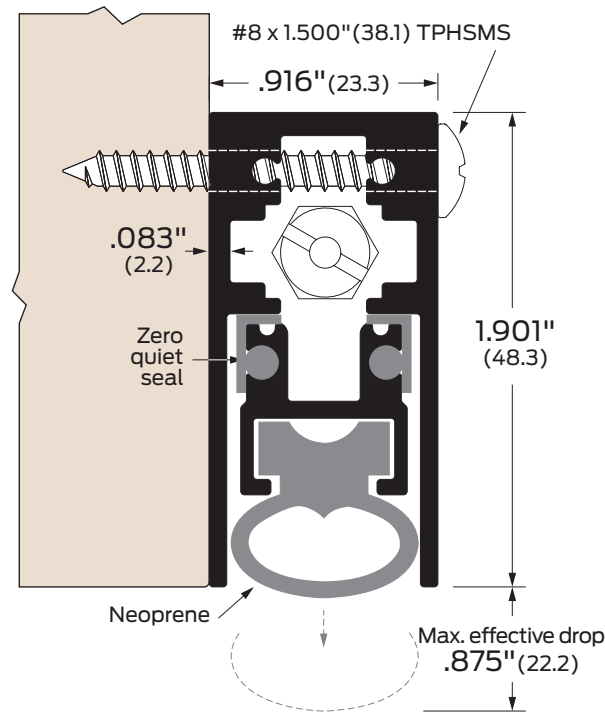
Provided by:

Customer name:

Job no:

Date:

Image may not be shown to scale



Notes:

Surface-mounted applications.  
 Supplied with solid neoprene extrusion.

Certifications:

- Fire rated-UL10c
- Air Infiltration
- Sound

ANSI/BHMA:

365AA, 365BK, 365D, 365G

R3B3341

Finishes:

- AA** Aluminum clear anodized
- BK** Aluminum black anodized
- D** Aluminum dark bronze anodized
- G** Aluminum gold anodized

Options:

- LS** Light spring
- PL** Pull out
- SEC** Torx security screws
- LK** Locking key
- NH** No holes

