



2720 Tobey Drive, Indianapolis, IN 46219
 Tel 1-877-671-7011 ■ Fax 800-851-0000
 Zero.Customer.Support@allegion.com
 www.zerointernational.com

Part No:

320

Part description:

Automatic door bottom
 Light duty

Notes:

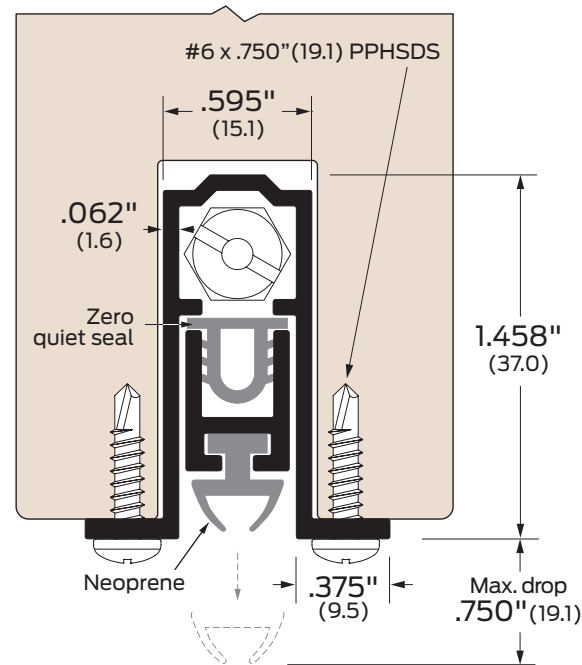
Provided by:

Customer name:

Job no:

Date:

Image may not be shown to scale



Notes:

Mortised. Lengths 60-96" available as engineering specials.

Certifications:

Fire rated-UL10c

ANSI/BHMA:

320AA

R3B3241

Finishes:

AA Aluminum clear anodized

Options:

LS Light spring

PL Pull out

NH No holes

