



2720 Tobey Drive, Indianapolis, IN 46219
Tel 1-877-671-7011 ■ Fax 800-851-0000
Zero.Customer.Support@allegion.com
www.zerointernational.com

Part No:

11 Rain drip

Part description:

Accessories & options

Notes:

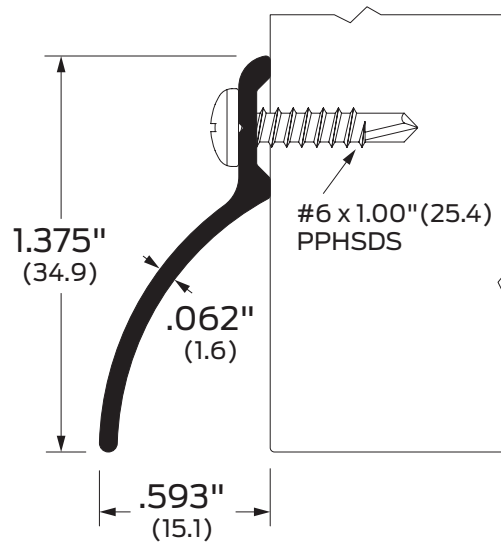
Provided by:

Customer name:

Job no:

Date:

Image may not be shown to scale



Certifications:



Fire rated-UL10c

ANSI/BHMA:

11AA, 11BK, 11D, 11G

R3Y936

Finishes:

- AA** Aluminum clear anodized
- BK** Aluminum black anodized
- D** Aluminum dark bronze anodized
- G** Aluminum gold anodized

Options:

- SEC** Security screws