

SCHLAGE®

Upgrade Instructions

e.PRIMUS® Le-Series Heavy Duty Mortise Lock

IMPORTANT: This procedure is to be performed by authorized personnel only.

Tools Required

For Lock Installation

- Phillips screwdriver
- Spanner wrench
- Tamper resistant screw tool (if required)
- ESD wrist strap
- Small flat-head screwdriver (optional)

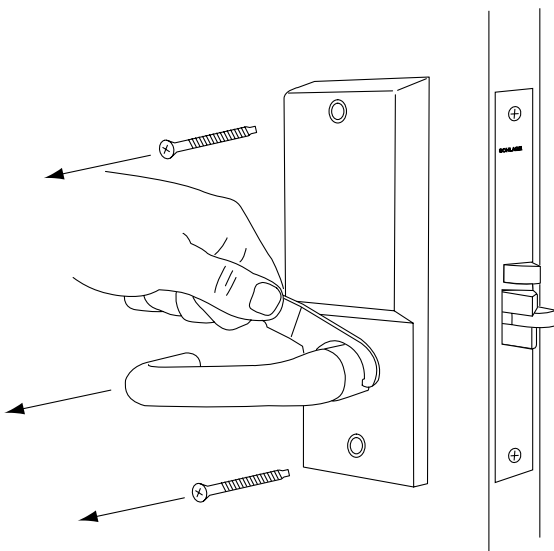
Remove Inside Trim

1

CAUTION: After the inside escutcheon screws are removed, the escutcheon will become loose. **DO NOT** allow the electronics escutcheon to hang by the Y-cable. Hold the escutcheon to ensure the wires are not pulled.

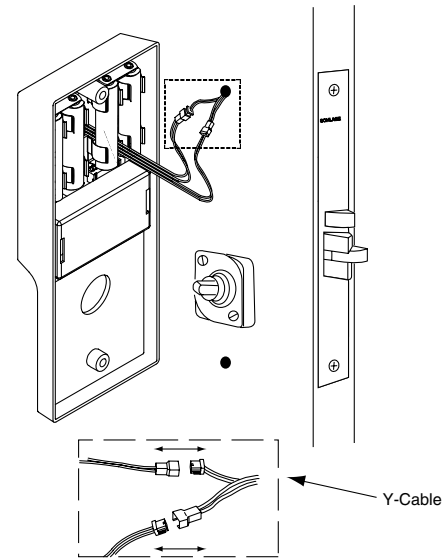
1. Remove INSIDE LEVER and ESCUTCHEON SCREWS.

- Using a spanner wrench, loosen the lever bushing and remove the lever from the inside escutcheon.
- Using a Phillips screwdriver, remove the two (2) escutcheon screws.



2. Disconnect the Y-CABLE.

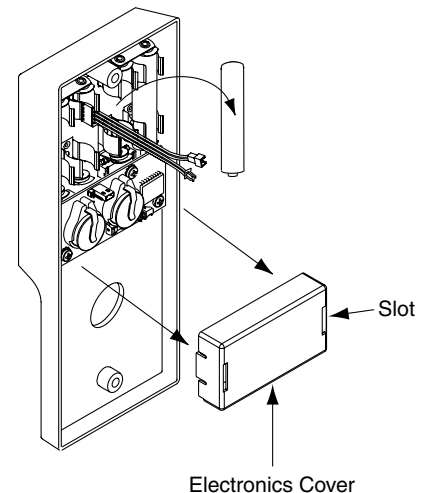
Disconnect the motor and target wires from the Y-cable by grasping the wire connectors and **NOT** the actual wires. If the wires are not easily separated, use the tip of a small, flat-head screwdriver to release the connector snaps.



3. Remove the four (4) AA BATTERIES

4. Remove ELECTRONICS COVER.

- Place the tip of a small, flat-head screwdriver into the battery cover slot.
- Twist the screwdriver to release the side clips.



Upgrade Lock

2

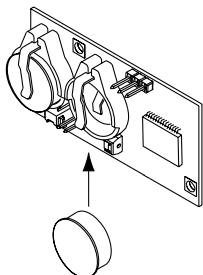


IMPORTANT: DO NOT handle the circuit board unless you are wearing the wrist strap included in the kit.

1. Attach WRIST STRAP.

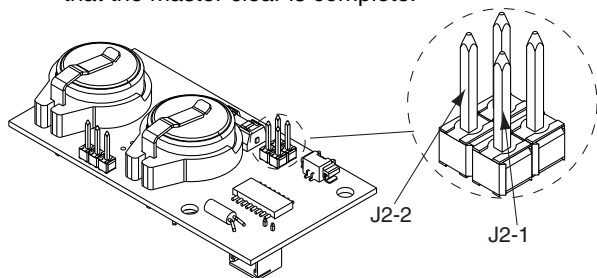
Follow the instructions included with the wrist strap.

2. Insert MEMORY BUTTON(s).



3. Perform a J2 MASTER CLEAR.

- Touch the tip of a screwdriver against both the J2-1 and the J2-2 pins. Listen for a single beep.
- Once you hear a single beep, remove the screwdriver and listen for a double beep. The double beep means that the master clear is complete.

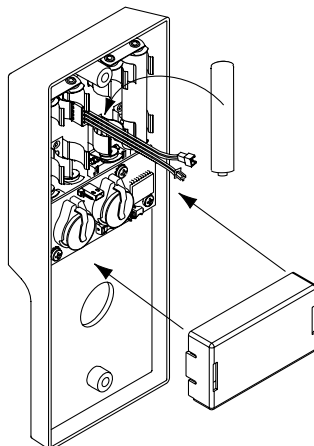


Replace Inside Trim

3

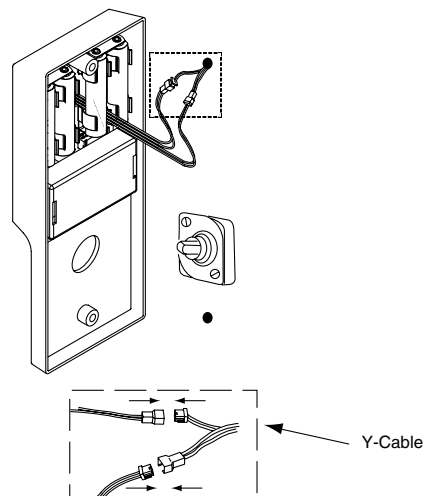
1. Install FOUR (4) AA BATTERIES and replace ELECTRONICS COVER.

NOTE: Ensure proper polarity when installing batteries. Check the battery contacts and make sure they are touching both ends of the battery.



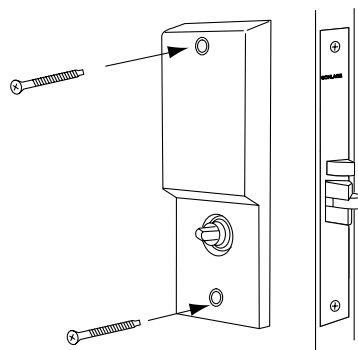
2. Reconnect TARGET and MOTOR wires to the Y-cable.

- Connect the target wire (violet wire) to the violet side of the Y-cable.
- Connect the motor wire (red wire) to the red side of the Y-cable.



CAUTION: Make sure that wires are not pinched during installation of screws.

3. Insert and tighten the two (2) ESCUTCHEON SCREWS.



3. Test LOCK for proper operation.

- Touch the BLUE test key to the touch receptor.
- Check lever for correct lock operation.

4. Install INSIDE LEVER.

- Insert lever onto spindle.
- Using a spanner wrench, tighten bushing.

