

RX Wiring Kit



XE360 Von Duprin 99 Exit

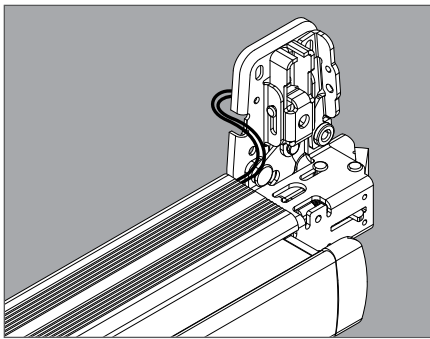
Installation Instructions



Scan for user guide,
interactive instructions,
warranty and more!
alle.co/XE360

1 Route RX wires.

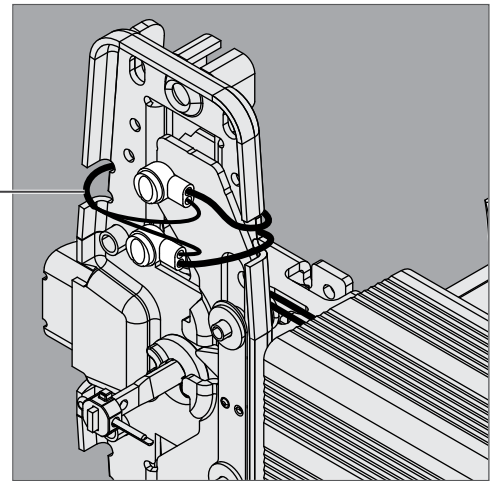
- 1a Route wires through channel beneath baseplate, as shown.
- 1b Trim the exit device RX wires as necessary and route up into center case area.



2 Connect wires and mount device.

- 2a Route the harness around the side of the center case.
- 2b Connect to the REX harness.
- 2c Make connections with provided Scotchlok connectors inside center case (color orientation does NOT matter)

REX harness



- 2d Finish mounting exit device.