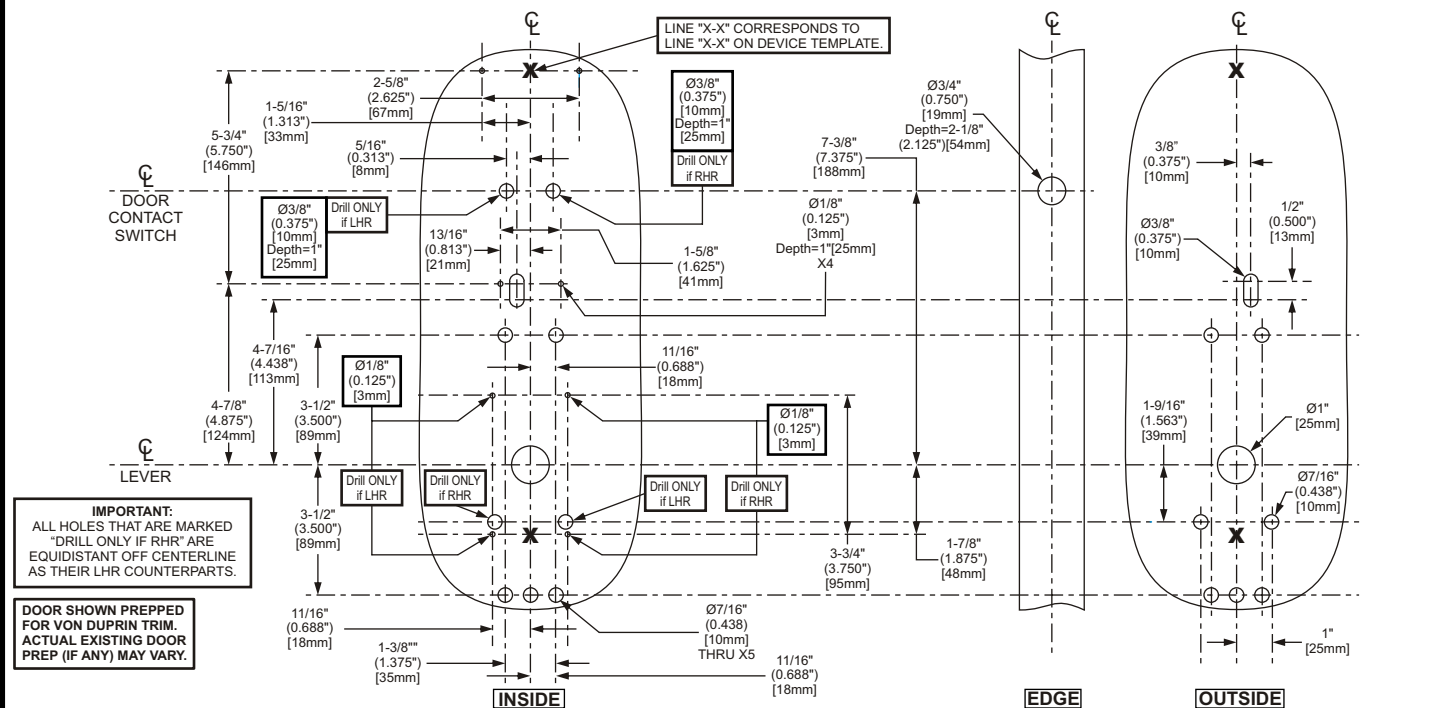


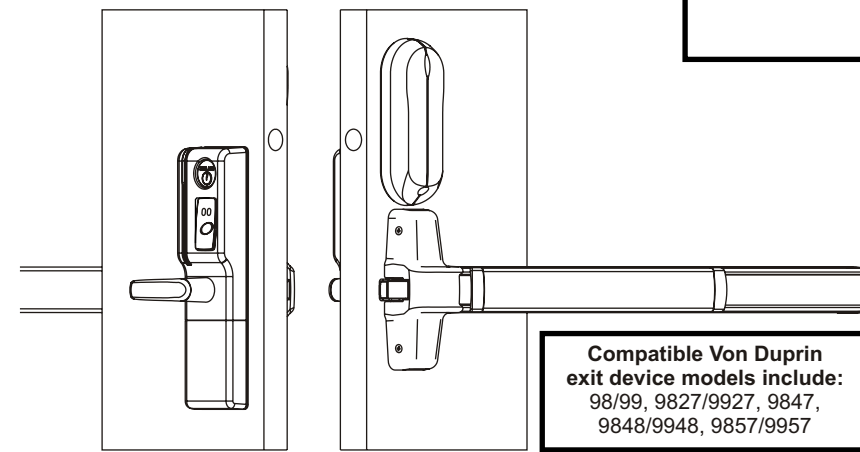
DOOR & FRAME PREP (LHR prep is shown)



WIRELESS ACCESS WA993 & AUWA993 EXIT TRIM SERIES



Schlage Lock Company
575 Birch Street
Forrestville, CT 06010
technical support: 866-322-1237
email: SESsupport@irco.com
web: www.irsupport.net



**Compatible Von Duprin
exit device models include:**
98/99, 9827/9927, 9847,
9848/9948, 9857/9957

INSTALLATION INSTRUCTIONS

EXIT DEVICE PREP

...CONTINUED FROM PAGE 2

1 - **DETAIL ED-A:** Do the following:

- Remove components (a).
- Slide off (c).

IMPORTANT: To prevent battery drain, disable (b) if present (see **DETAIL ED-A** for easy method).

2 - **DETAIL ED-B:** Do the following:

- Remove (e).
- Slide off (f).
- Remove (g).

NOTE: If screws (h) are present, replace them with screws in kit. Only on end indicated in illustration.

3 - Do the following if installing or replacing (i)*:

> If installing (i):

- **DETAIL ED-C:** Remove & discard (j).
- If holes (k) are missing, drill two, 1/8" (.125") [3mm] diameter holes thru (l).

> If (i) has RED wire on COM terminal:

- **DETAIL ED-D:** Remove & retain (m).
- Remove & discard (i) and attached wires.

> Installing RX-LC version of (i):

- Place RX-LC version of (i) into (l).
- Secure (i) with (m).

4 - Refer to **DETAIL ED-E & ED-F** to check (i) for proper operation. If adjustment is needed:

- Loosen (n).
- Slide (i) forward or backwards as needed.
- (o) indicates actuator position.
- When properly adjusted, tighten (n).

5 - Remove yellow wire from (i).

6 - Run blue & green wires on (i) along exit device.

7 - **DETAIL ED-G:** Secure blue & green wires to exit device with a tie wrap.

IMPORTANT: You should have at least 12" [305mm] of excess wire near center case (p). Do not cut off excess.

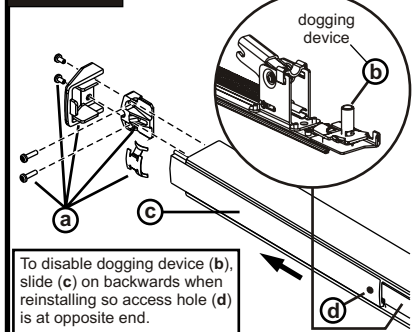
8 - Refer to **DETAIL ED-B:** Perform step 2 in reverse.

9 - Refer to **DETAIL ED-A:** Perform step 1 in reverse.

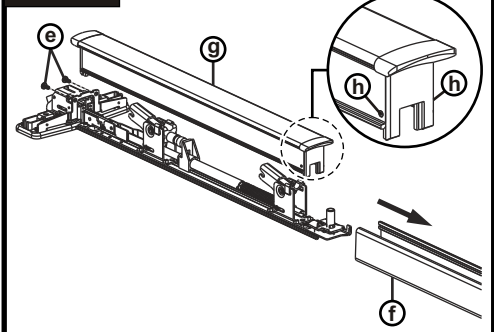
NOTE: To disable dogging device (b), slide (c) on backwards so access hole (d) is at opposite end.

RETURN TO PAGE 2...

DETAIL ED-A



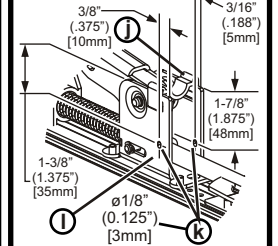
DETAIL ED-B



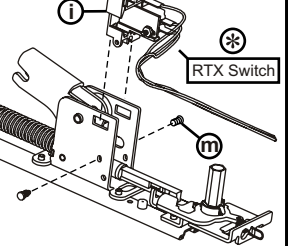
(i) Request To Exit (RTX) Switch

*** IMPORTANT:** Only the RX-LC version of (i) can be used for this installation. The RX-LC version can be recognized by a GREEN wire attached to the COM terminal of (i). If any other color is present, (i) must be replaced. If (i) is not present, one must be installed.

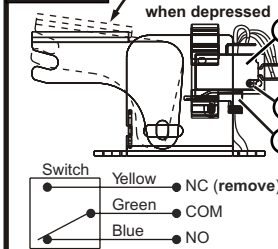
DETAIL ED-C



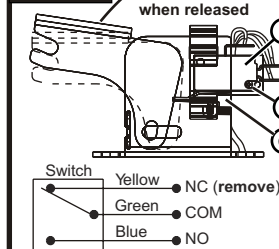
DETAIL ED-D



DETAIL ED-E



DETAIL ED-F



DETAIL ED-G



INTRODUCTION:

This manual covers the complete hardware installation of all models in the WA993 & AUWA993 Exit Trim Series line of Wireless Access Modular Locks.

NOTES:

• Illustrations on pages 2, 3 and 4 shows a LHR installation.

• When mounting Transceiver:

- Wear some form of ESD protection.
- Do not use power tools to tighten mount screws. Hand tools only.
- Turn in each mount screw a little bit at a time.
- Do not over tighten mount screws.

If cylinder key does not work properly, check that cylinder and appropriate cylinder cam are installed in correct position.

NON-SUPPLIED TOOLS & MATERIALS NEEDED:

- Philips head screwdriver set
- Nut driver set
- Power Drill w/chuck for up to 1" [25mm] drill bits
- Half round file (bastard cut)
- Drill bit set (up to 1" [25mm])
- 2-1/8" [54mm] hole saw w/mandrel
- Allen wrench set
- Square (90 degrees)
- Threadlocker (Loctite 242 recommended)
- Tape Measure
- Contact adhesive (must bond to wood, plastic and metal)
- Pencil
- Center Punch
- Hammer
- Chisel
- Masking tape
- Level
- Fire rated putty (recommend-Metacaulk Putty from Rectorseal Corp.)

See Back Cover for:

- Door & Frame Prep (LHR is shown)
- Exit Device Prep

FCC Compliance

- This device has been authorized by the FCC Rules and Industry Canada.
- This device complies with the limits for a Class B digital device and a Class B intentional radiator, pursuant to Part 15 of the FCC Rules and with RSS-210 of Industry Canada. Operation is subject to the following two conditions: (1) This device may not cause harmful interference, and (2) this device must accept any interference received, including interference that may cause undesired operation.
- The Wireless Access System Component must be installed by qualified professionals or contractors in accordance with FCC part 15.203, Antenna Requirements.
- Do not use any antenna other than the one provided with the unit.

UL Compliance

- The WA5200 & AUWA5200 Wireless Access Cylindrical Locks are listed under UL294 as an access control system accessory.
- The WA5200 & AUWA5200 Wireless Access Cylindrical Locks are listed under UL10C.
- Access equipment manufactured and/or sold by Ingersoll Rand Security Technologies is not rated for, or intended for use in life safety installations.
- For UL installations that use a Door Position Switch, use a UL listed door/window contact. Door contacts for door position monitoring are not for intrusion protection.
- No standby power provided.
- The WA5200's & AUWA5200's maximum current at 12 VDC is 250 mA.

Warnings

- RF Exposure - To comply with FCC RF exposure requirements for mobile transmitting devices, this transmitter should only be used or installed at locations where there is normally at least a 20 cm separation between the antenna and all persons.
- Do not co-locate and operate in conjunction with any other antenna or transmitter.
- Use only the Battery Pack specified in this instruction manual.
- Do not subject Battery Pack to fire or high temperatures.
- Do not attempt to recharge, short out or disassemble Battery Pack.
- Follow local regulations for alkaline battery disposal.
- Immediately remove the batteries and discontinue use if: the product is impacted after which the interior is exposed, or the product emits a strange smell, heat, or smoke.
- Changes or modifications not expressly approved by Ingersoll Rand Security Technologies could void the user's authority to operate the equipment.

After door & frame preparation, refer to illustration on right & assemble lock components onto door & frame in following order:

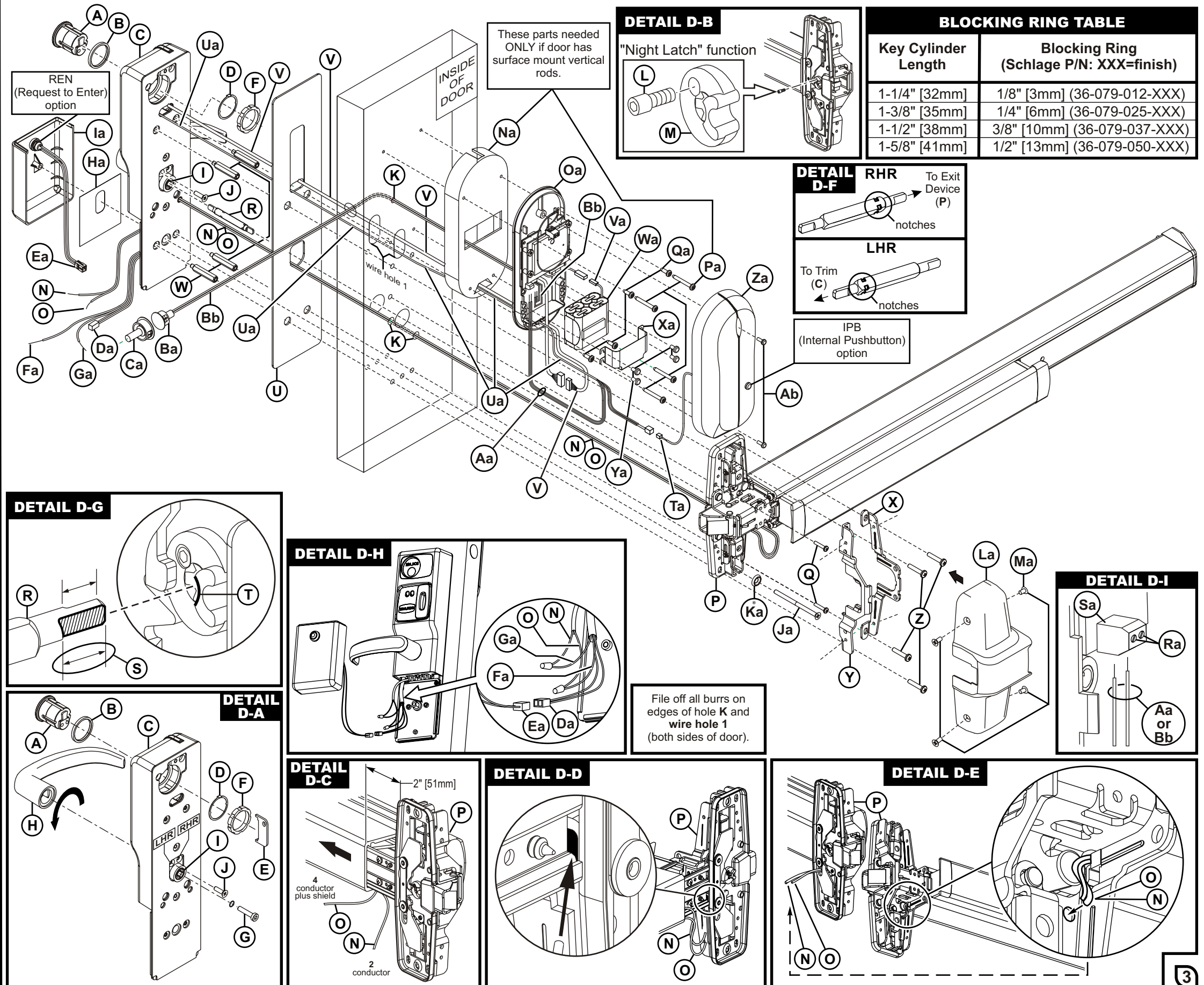
- 1 - To install Key Cylinder (A) (refer to **DETAIL D-A**):
 - If A is longer than 1-1/8" [29mm], insert B into C (refer to **BLOCKING RING TABLE** on page 3).
 - Insert A into C.
 - Slide D over A.
 - Using E, screw F onto A until tight.
 - Line up nearest notch on F with tab on D.
 - Bend tab on D into notch of F.
- 2 - If Handing change is needed, refer to **DETAIL D-A** & do the following:
 - Using a 5/32" [4mm] hex wrench, remove G.
 - Remove H, rotate 180 degrees, slide back on shaft.
 - Apply threadlocker to G, reinstall G.
- 3 - Preliminary Test of Trim (refer to **DETAIL D-A**):
 - Insert key into A and turn CW (this engages A).
 - Rotate H down.

RESULT: I must rotate as H is rotated.
- 4 - To install Stop Screw (J) refer to **DETAIL D-A**:
 - With A engaged (see above), rotate H down & hold.
 - Install J into proper hole (LHR or RHR).

RESULT: H should not rotate up from horiz. pos.
- 5 - For metal doors, file off all burrs on the edges of holes K (3 places).
File off all burrs on edges of wire hole 1.
- 6 - Refer to **DETAIL D-B** and verify L is installed in M.
 - If missing, install L (supplied).
- 7 - Refer to **DETAIL D-C, D-D, & D-E**, feed N & O thru P.
- 8 - Feed N & O thru hole in door.
- 9 - Place P on door, secure with Q.
- 10 - Insert R into P (refer to **DETAIL D-F & D-G**).
 - **DETAIL D-F**:
 - > RHR - end with notches towards P.
 - > LHR - end with notches towards C.
 - **DETAIL D-G**:
 - > Longest step (S) on R towards T.
- 11 - To install Trim (C):
 - Apply sticky side of U to C (feed V thru U).
 - Install W into C (4 places).
 - Feed N & O through hole in C.
 - Feed V & Ua thru oblong wire hole 1 in door.
 - Place C on door (R gets inserted into I).
 - Secure X & Y to P with Z.
- 12 - To install DSM (Ba):
 - Feed wires (Bb) through door as in illustration.
 - Press Ba into hole in edge of door.
 - Press Ca into corresponding hole in frame.
- 13 - Refer to **DETAIL D-H** and make wire connections.
 - Connect N to Ga.
 - Connect O to Fa.
 - If lock has "Request to Enter" (REN) option, Plug Da into Ea.
- 14 - Place Ha & Ia against C, secure with Ja.
 - * Disregard washer Ka if it was not included in original installation.
- 15 - Place La over P, secure with Ma (4 places).
- 16 - If inside of door has surface mount vertical rods, feed Ua & V thru Na.
- 17 - Feed Ua & V through Oa.
 - If Na was used, secure Oa with Pa (long screws).
 - If Na was not used, secure Oa with Qa (short screws).
- 18 - Refer to **DETAIL D-I** and do the following:
 - Loosen Ra.
 - Insert the 2 wires (Aa or Bb) into Sa (non-polarized connection).
 - Tighten Ra.
- 19 - Connect V to the mating connector on Oa.
- 20 - If lock has IPB option, connect Ta to the mating connector on Ua.
- 21 - Connect Va to the mating connector on Oa.

21 - Place Wa into Oa, secure with Xa & Ya.
22 - Place Za over Oa, secure with Ab.

See the PIM manual and panel documentation for more wiring and setup information.



BLOCKING RING TABLE	
Key Cylinder Length	Blocking Ring (Schlage P/N: XXX=finish)
1-1/4" [32mm]	1/8" [3mm] (36-079-012-XXX)
1-3/8" [35mm]	1/4" [6mm] (36-079-025-XXX)
1-1/2" [38mm]	3/8" [10mm] (36-079-037-XXX)
1-5/8" [41mm]	1/2" [13mm] (36-079-050-XXX)

