

SCREW,
#8 X 3/4
SHEET METAL
QTY: 4

SCREW,
BUTTON HD
PIN-IN-TORX MS
BLK OXIDE
QTY: 2

SCREW,
#12 X 3/4
PH FL HD COMB.
QTY: 2

SCREW,
#12 X 3/4
PH FL HD COMB.
QTY: 2

SCREW,
#8 X 3/4
SHEET METAL
QTY: 4

SCREW,
BUTTON HD
PIN-IN-TORX MS
BLK OXIDE
QTY: 2

WIRE BLOCK
WITH
#8 X 1-1/2
TECH SCREW
PIN-IN-TORX
BLK ZINC
QTY: 2

READER: PA777-023-902

If this reader is being used to replace a reader on a lock manufactured before September, 2007, you must verify transceiver compatibility. To verify compatibility, the firmware sticker on the transceiver board (above the battery pack), should read 3.09 (or higher). If the number is lower, you must also replace the transceiver.

Order: P511821-11

If the PIM that this lock will link to was built before 2005, verify the firmware sticker on the PIM is 3.05 or higher for a PIM-485, or 3.07 or higher for a PIM-TD2.

TRANSCIEVER: P511821-11 and P511821-12

If this transceiver is used to repair a lock with a magnetic card reader, you must verify magnetic card reader compatibility. If the magnetic card reader lock was manufactured before September, 2007, you must also replace the magnetic card reader. To verify compatibility, the firmware sticker on the old the transceiver board should read 3.09 (or higher). If the number is lower, you must also replace the magnetic card reader.

Order: PA777-023-902.

If the PIM that this lock will link to was built before 2005, verify the firmware sticker on the PIM is 3.05 or higher for a PIM-485, or 3.07 or higher for a PIM-TD2.

PARTS IDENTIFICATION
WA5200-WIRELESS CYLINDRICAL
511730-C-TS 7/2009 Page 1 of 1

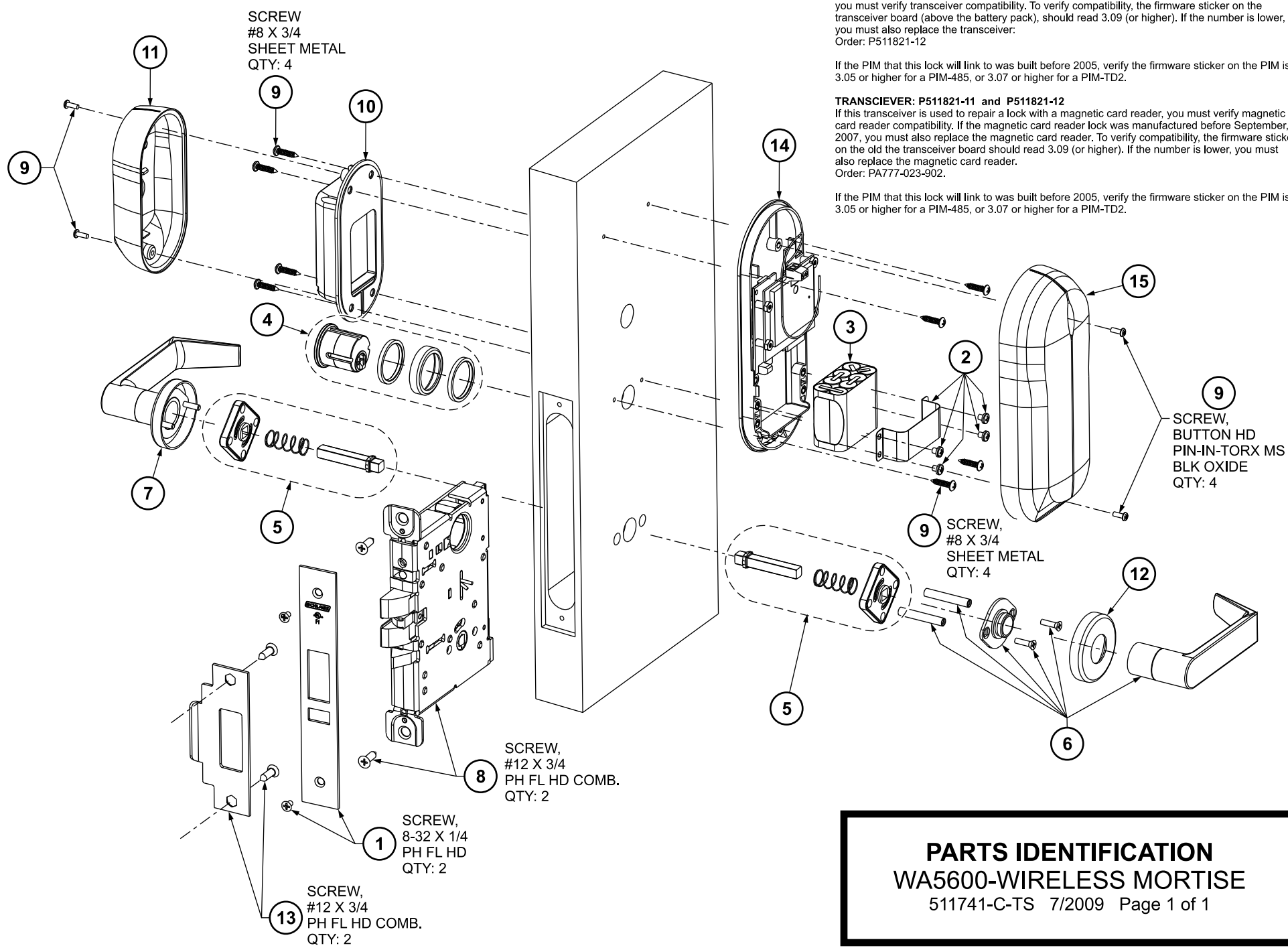
WA5296

Item	Part Number	Description
1	P511236	Anti-Rotation Plate
2	PA770-018-001	Battery Bracket and Screws
3	K380-001	Battery Pack Assembly
4	P511830	Chassis Assembly - WA5296
5	P511316	Cylinder Driver, IC
5	P511317	Cylinder Driver, SFIC
-	P511269-606	Cylinder, KD - 5200
-	P511269-626	Cylinder, KD - 5200
6	PS937-001-001	Door Position Switch - WA5296 & WA993
-	P512142	Firmware Upgrade Cable (Requires Programmer)
7	P200274-XXX	Latch, Cylindrical - ELB (2-3/4 x 3/4)
7	P510142-XXX	Latch, Cylindrical - OLB (2-3/8 x 1/2)
7	P510725-XXX	Latch, Cylindrical - SLB (2-3/4 x 1/2)
8	P511254-XXX	Lever, Closed - 06 (Rhodes)
8	P511258-XXX	Lever, Closed - 16 (Omega)
8	P511250-XXX	Lever, Closed - 17 (Sparta)
9	P511252-XXX	Lever, IC - 06 (Rhodes)
9	P511256-XXX	Lever, IC - 16 (Omega)
9	P511248-XXX	Lever, IC - 17 (Sparta)
9	P511251-XXX	Lever, Open - 06 (Rhodes)
9	P511255-XXX	Lever, Open - 16 (Omega)
9	P511247-XXX	Lever, Open - 17 (Sparta)
9	P511253-XXX	Lever, SFIC - 06 (Rhodes)
9	P511257-XXX	Lever, SFIC - 16 (Omega)
9	P511249-XXX	Lever, SFIC - 17 (Sparta)
10	P511674	Mounting Hardware - WA5296 (Screws, Wrench, Torx Tool)
11	P511798	Reader w/ Cover - AWID
11	P511797	Reader w/ Cover - iCLASS
11	P511796	Reader w/ Cover - INDALA
11	PA777-023-902	Reader w/ Cover - MAG3
11	P512040	Reader w/ Cover - MAG3 w/ REN
11	PA777-019-002	Reader w/ Cover - Prox HID
11	PA770-024-002	Reader w/ Cover - Prox HID W/ REN
12	PC585-001-001	Reader Cover - Mag Stripe
12	PC585-000-001	Reader Cover - Prox
-	P396013	REN Switch Assembly
-	P511752	REN Upgrade Kit - (Prox Only)

Item	Part Number	Description
13	P511243-XXX	Rose, Inside - 06, 17
13	P511244-XXX	Rose, Inside - 16
14	P511245-XXX	Rose, Outside - 06, 17
14	P511246-XXX	Rose, Outside - 16
-	P511313-626	Spacer 1-3/8 Door WA5296
15	P511307	Spring Cage, Inside
16	P511308	Spring Cage, Outside
16	P511309	Spring Cage, Outside - SFIC
17	P510102-XXX	Strike, Cylindrical w/ Screws
18	P511821	Transceiver w/ Cover - WA5296
18	P511821-1	Transceiver w/ Cover, ICLASS - WA5296
18	P511821-11	Transceiver w/ Cover, MAG3 - WA5296
19	P511986	Transceiver Cover - WA5296
19	P512145	Transceiver Cover, IPB - WA5296
20	P511719	Wire Block w/ Screws
21	P511699	Wire Protection Ring

Finish Chart	
XXX = 605	Bright Brass
XXX = 612	Satin Bronze
XXX = 613	Dark Satin Bronze
XXX = 625	Bright Chrome
XXX = 626	Satin Chrome

- Not Shown



SCREW
#8 X 3/4
SHEET METAL
QTY: 4

READER: PA777-023-902

If this reader is being used to replace a reader on a lock manufactured before September, 2007, you must verify transceiver compatibility. To verify compatibility, the firmware sticker on the transceiver board (above the battery pack), should read 3.09 (or higher). If the number is lower, you must also replace the transceiver:
Order: P511821-12

If the PIM that this lock will link to was built before 2005, verify the firmware sticker on the PIM is 3.05 or higher for a PIM-485, or 3.07 or higher for a PIM-TD2.

TRANSCIEVER: P511821-11 and P511821-12

If this transceiver is used to repair a lock with a magnetic card reader, you must verify magnetic card reader compatibility. If the magnetic card reader lock was manufactured before September, 2007, you must also replace the magnetic card reader. To verify compatibility, the firmware sticker on the old the transceiver board should read 3.09 (or higher). If the number is lower, you must also replace the magnetic card reader.
Order: PA777-023-902.

If the PIM that this lock will link to was built before 2005, verify the firmware sticker on the PIM is 3.05 or higher for a PIM-485, or 3.07 or higher for a PIM-TD2.

SCREW,
BUTTON HD
PIN-IN-TORX MS
BLK OXIDE
QTY: 4

SCREW,
#8 X 3/4
SHEET METAL
QTY: 4

SCREW,
#12 X 3/4
PH FL HD COMB.
QTY: 2

SCREW,
8-32 X 1/4
PH FL HD
QTY: 2

SCREW,
#12 X 3/4
PH FL HD COMB.
QTY: 2

PARTS IDENTIFICATION
WA5600-WIRELESS MORTISE
511741-C-TS 7/2009 Page 1 of 1

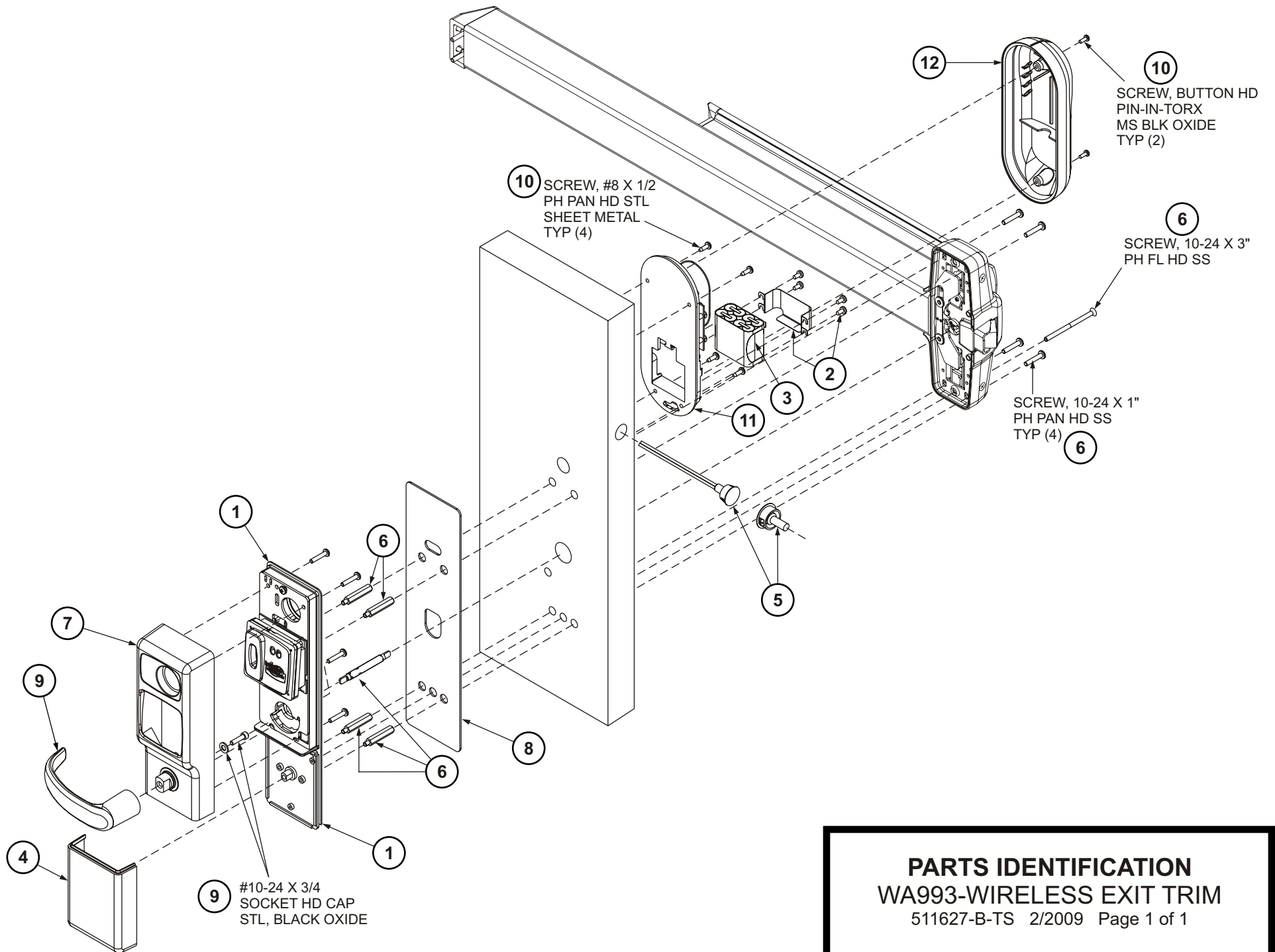
WA56xx

Item	Part Number	Description
1	P510500-XXX	Armor Front, Autobolt - WA5694
1	P510499-XXX	Armor Front, Latchbolt - WA5696
2	PA770-018-001	Battery Bracket and Screws
3	K380-001	Battery Pack Assembly
4	P510633-XXX	Cylinder - 1-1/4' Schlage Everest (C123 Keyway)
4	P510295-XXX	Cylinder Housing - LFS (less core)
4	P510296-XXX	Cylinder Housing - SFS (less core)
5	P550506	Door Thickness Kit 1 3/4" - 5600
5	P550506-YY	Door Thickness Kit - 5600
-	P512142	Firmware Upgrade Cable (Requires Programmer)
6	P550467-06-XXX	Lever, Inside - 06 (Rhodes)
6	P550467-17-XXX	Lever, Inside - 17 (Sparta)
7	P550469-06B-XXX	Lever, Outside w/ Lg Rose - 06B (Rhodes)
7	P550469-17B-XXX	Lever, Outside w/ Lg Rose - 17B (Sparta)
7	P550469-06A-XXX	Lever, Outside w/ Sm Rose - 06A (Rhodes)
7	P550469-17A-XXX	Lever, Outside w/ Sm Rose - 17A (Sparta)
8	P510713-26	Mortise Case, Autobolt - WA5694
8	P510713-27	Mortise Case, Latchbolt - WA5696
9	P511689	Mounting Hardware - WA56xx
10	P511798	Reader w/ Cover - AWID
10	P511797	Reader w/ Cover - iCLASS
10	P511796	Reader w/ Cover - INDALA
10	PA777-023-902	Reader w/ Cover - MAG3
10	P512040	Reader w/ Cover - MAG3 w/ REN
10	PA777-019-002	Reader w/ Cover - Prox HID
10	PA770-024-002	Reader w/ Cover - Prox HID w/ REN
11	PC585-001-001	Reader Cover - Mag Stripe
11	PC585-000-001	Reader Cover - Prox
-	P396013	REN Switch Assembly
-	P511752	REN Upgrade Kit - WA5296, WA56xx (Prox Only)
12	P550468-00B-XXX	Rose, Inside - Large
12	P550468-00A-XXX	Rose, Inside - Small
13	P550555-XXX	Strike, Mortise w/ Screws
14	P511821-2	Transceiver w/ Cover - WA56xx
14	P511821-3	Transceiver w/ Cover, iCLASS - WA56xx
14	P511821-12	Transceiver w/ Cover, MAG3 - WA56xx
15	PC583-000-001	Transceiver Cover - WA56xx & WA993
15	P512146	Transceiver Cover, IPB - WA56xx & WA993

Finish Chart	
XXX = 605	Bright Brass
XXX = 612	Satin Bronze
XXX = 613	Dark Satin Bronze
XXX = 625	Bright Chrome
XXX = 626	Satin Chrome

Door Thickness Chart 5600	
YY = 1	2"
YY = 2	2-1/4"
YY = 3	2-1/2"
YY = 4	2-3/4"

- Not Shown



PARTS IDENTIFICATION
WA993-WIRELESS EXIT TRIM
 511627-B-TS 2/2009 Page 1 of 1

WA993

Item	Part Number	Description
1	P511765-MG	Baseplate Assembly w/ Mag Stripe Reader
1	P511765-PX	Baseplate Assembly w/ Prox Reader - HID
2	PA770-018-001	Battery Bracket and Screws
3	K380-001	Battery Pack Assembly
4	P510731-XXX	Cover, Bottom - 993
-	P510633-XXX	Cylinder - 1-1/4' Schlage Everest (C123 Keyway)
-	P510832	Cylinder Hardware Kit (Washer, Lockwasher, Tool)
-	P510295-XXX	Cylinder Housing - LFS (less core)
-	P510296-XXX	Cylinder Housing - SFS (less core)
5	PS937-001-001	Door Position Switch - WA5296 & WA993
6	P510831-Y	Door Thickness Kit - 993
6	P510831	Door Thickness Kit, 1-3/4" - 993
7	P510729-XXX	Escutcheon w/ Hub, Mag Stripe - 993
7	P510730-XXX	Escutcheon w/ Hub, Prox - 993
-	P512142	Firmware Upgrade Cable (Requires Programmer)
8	P510851	Gasket, Exterior - 993
-	P993100	Hub Kit - 993
9	P510506-XXX	Lever - 06 (Rhodes)
9	P510504-XXX	Lever - 17 (Sparta)
10	P511783	Mounting Hardware Rim or Con. Vert Rod-WA993
10	P511784	Mounting Hardware Surface Vertical Rod- WA993
-	P511755-XXX	REN Upgrade Kit - WA993
-	P511302	RX Switch Kit for VD98/99
-	P510777	Spindle Pack 993 1-3/4 Door
-	PB007-005-001	SVR Spacer Base
11	P511821-4	Transceiver Assembly - WA993
12	PC583-000-001	Transceiver Cover - WA56xx & WA993
12	P512146	Transceiver Cover, IPB - WA56xx & WA993

Finish Chart	
XXX = 605	Bright Brass
XXX = 612	Satin Bronze
XXX = 613	Dark Satin Bronze
XXX = 625	Bright Chrome
XXX = 626	Satin Chrome

Door Thickness Chart 993	
Y= 1	1-3/8"
Y= 2	1-1/2"
Y= 3	1-5/8"
Y= 4	1-7/8"
Y= 5	2"
Y= 6	2-1/8"
Y= 7	2-1/4"
Y= 8	2-3/8"
Y= 9	2-1/2"
Y= 10	2-5/8"
Y= 11	2-3/4"

- Not Shown