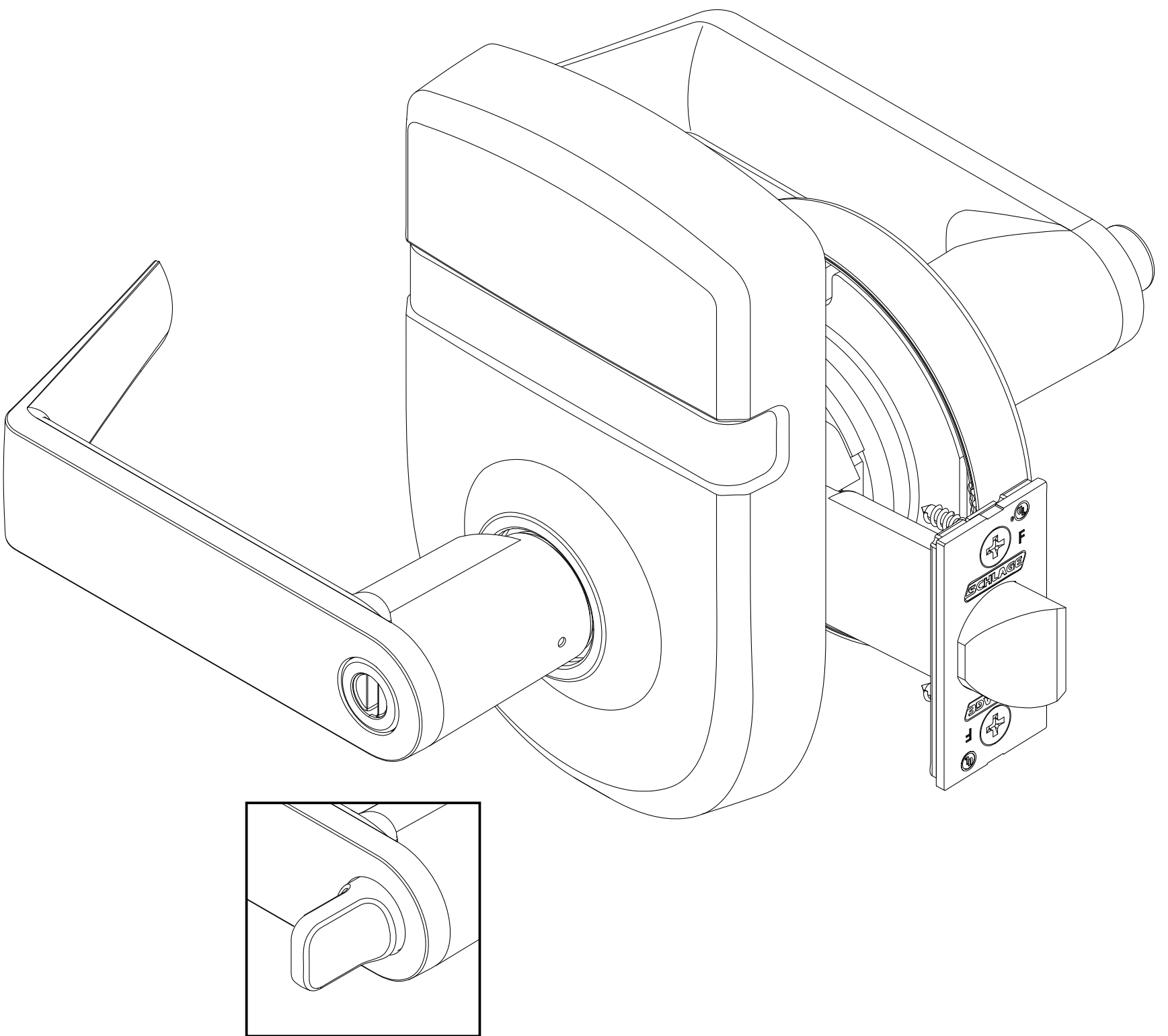


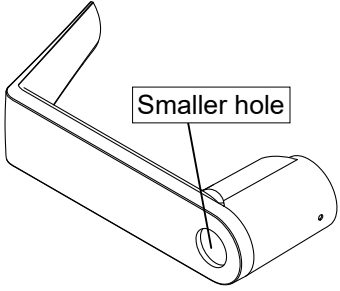
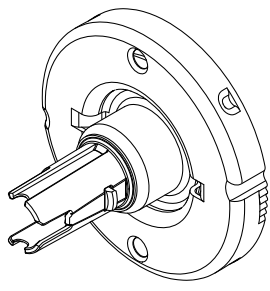
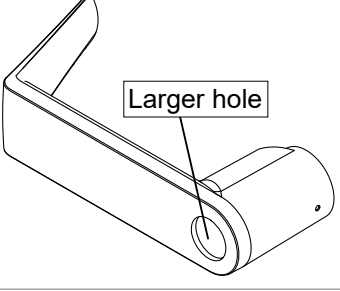
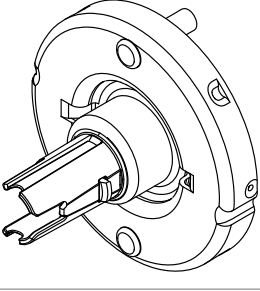
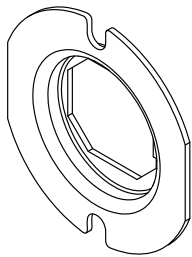
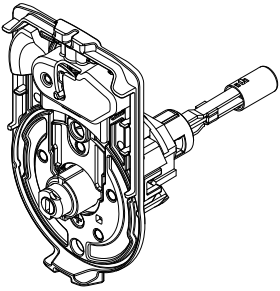
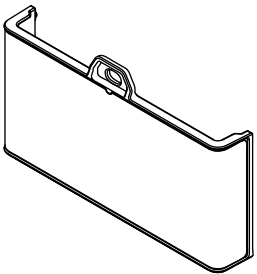
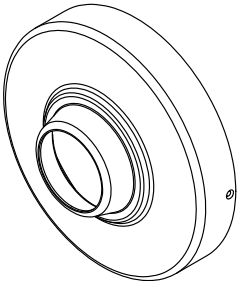
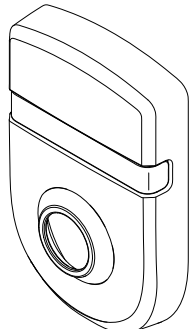
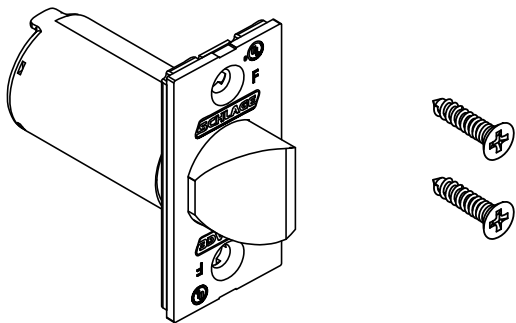
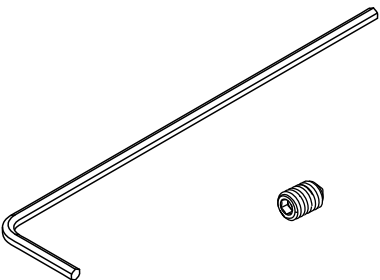
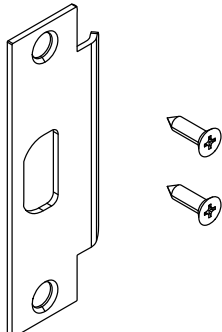
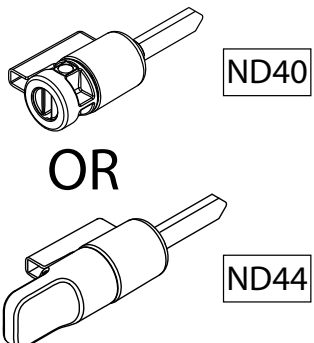
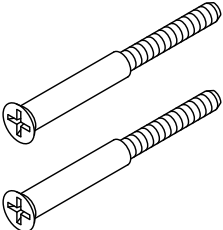


ND40/44-Series

Installation Instructions



Part Identification

<p>Inside Handle</p> 	<p>Inside Spring Cage</p> 
<p>Outside Handle</p> 	<p>Outside Spring Cage</p> 
<p>Anti-Rotation Plate</p> 	<p>Chassis</p> 
<p>Indicator Sign</p> 	<p>Rose</p> 
<p>Escutcheon</p> 	<p>Latch</p> 
<p>Hex Wrench & Escutcheon Set Screw</p> 	<p>Strike Plate</p> 
<p>Emergency Button</p> 	<p>Mounting screws</p> 

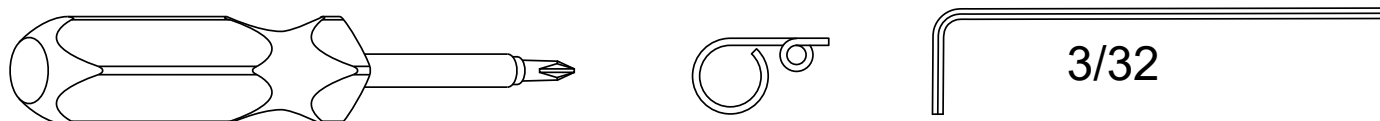
Installation Preparation

Door preparation:

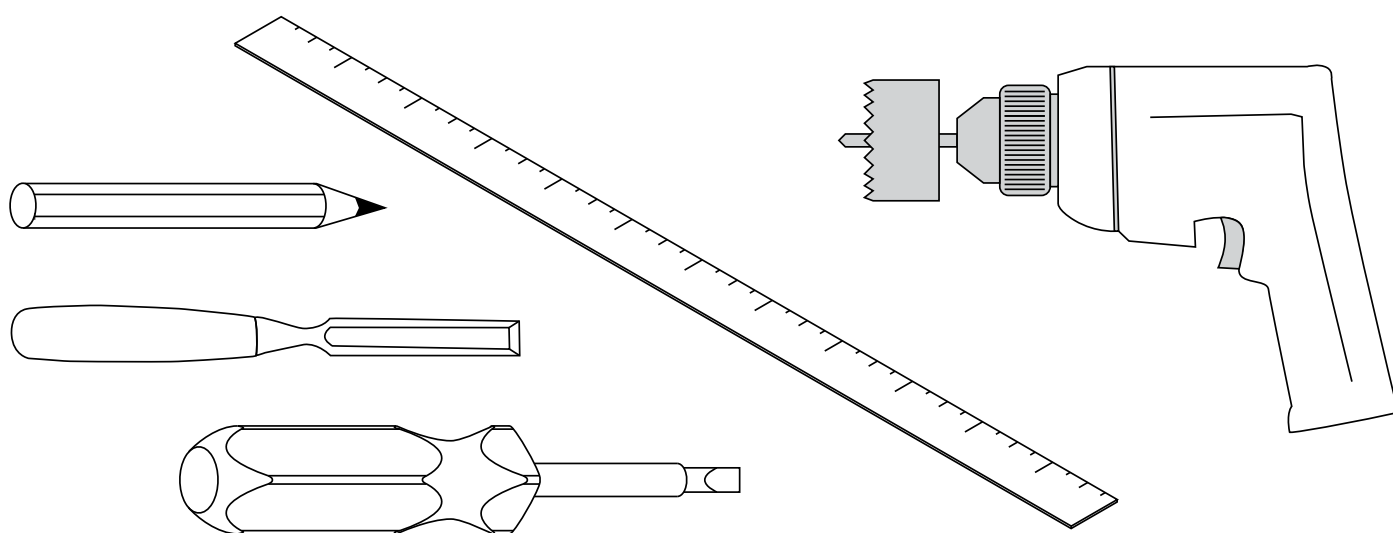
For door preparation use the template included in the package with the lock. For additional information, visit the website www.allegion.com/us.

Tools for Install

Required:



Optional:

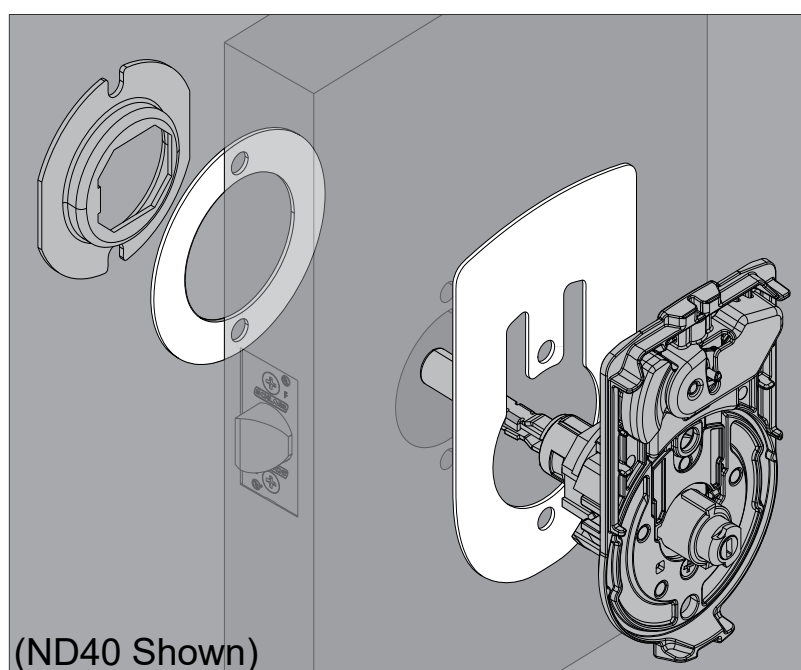


IMPORTANT – DOOR THICKNESS

This lock function is only compatible with 1-3/4" door thickness.

For thinner door applications, refer to these spacer kits:

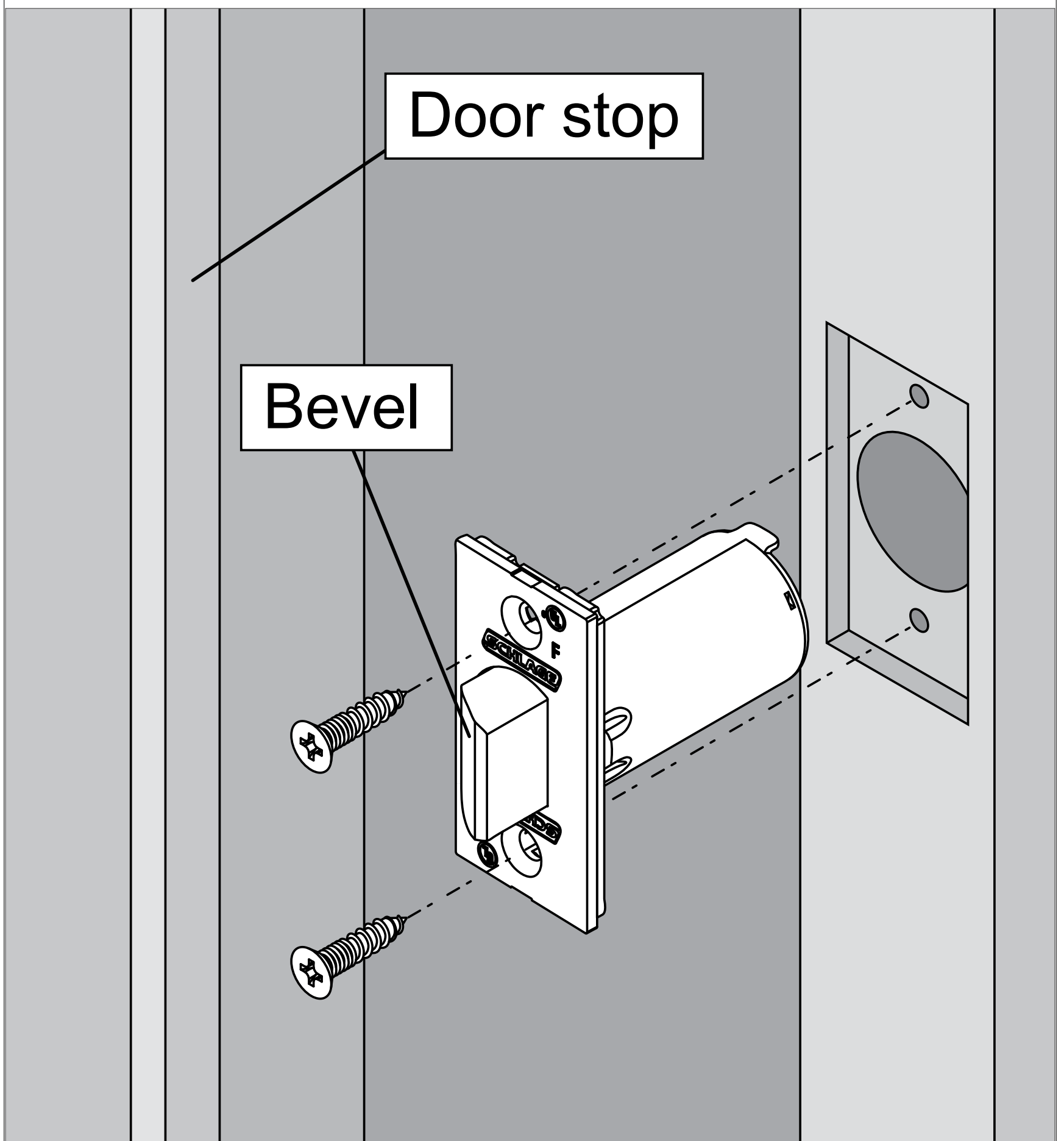
Door Thickness	PN
1 ³ / ₈ " TO 1 ¹ / ₂ "	48029970
1 ¹ / ₂ " TO 1 ⁵ / ₈ "	48029971
1 ⁵ / ₈ " TO 1 ¹¹ / ₁₆ "	48029972



1 Install latch

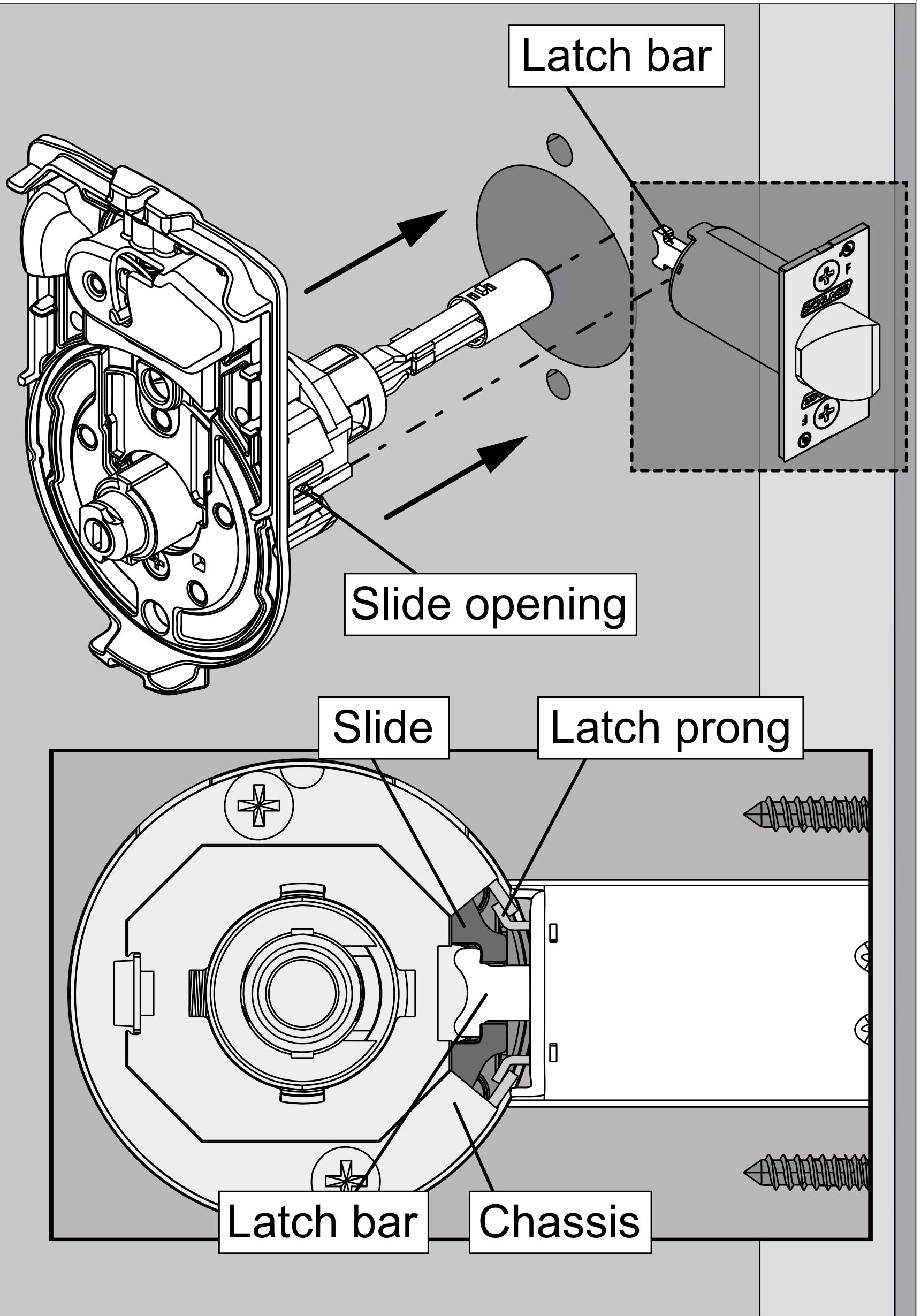
The bevel must face toward the door stop. Tighten the two (2) screws.

ⓘ Note: For installation on unreinforced hollow metal doors, use of door spacer (part number 24483760) is recommended.



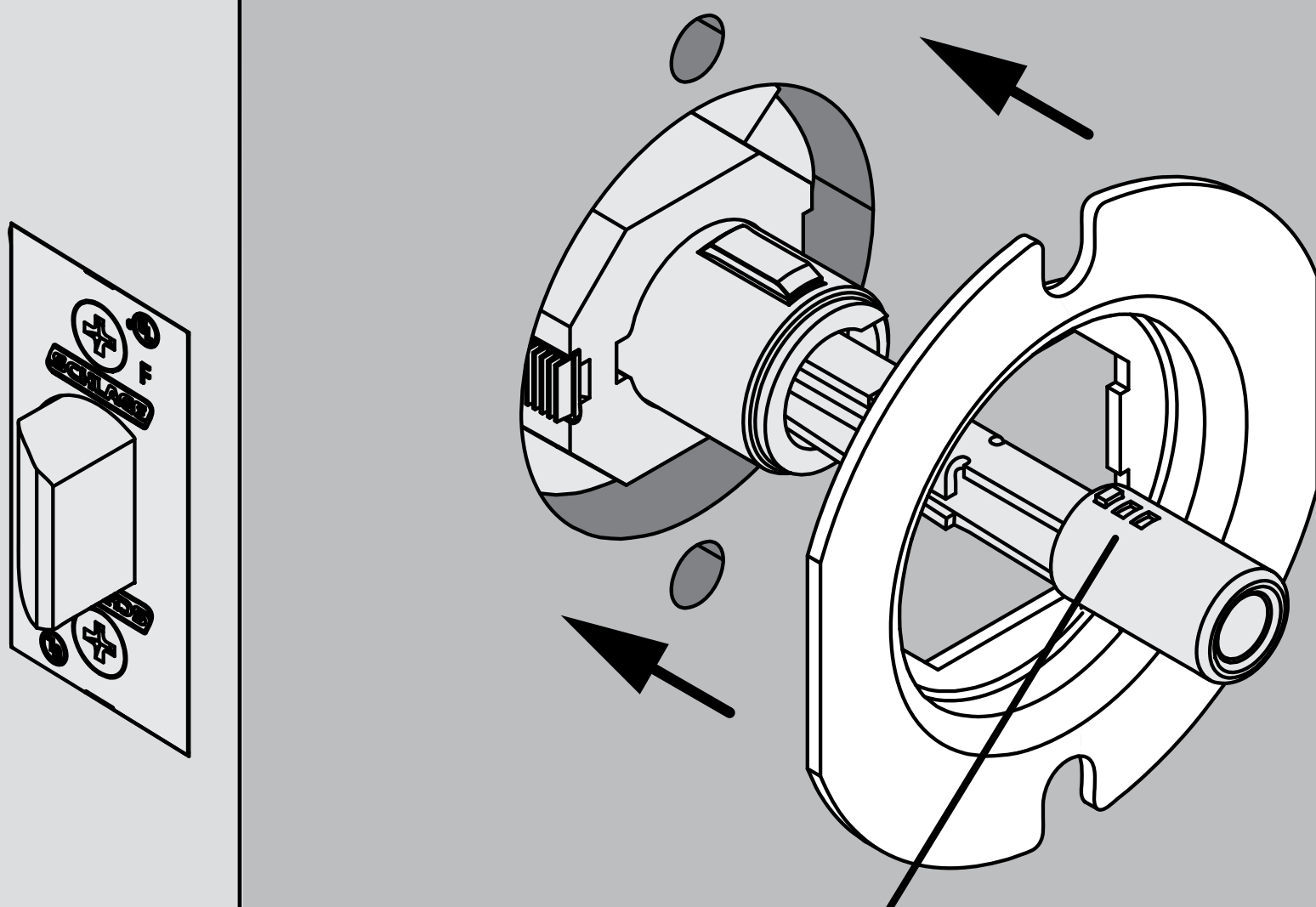
2 Install Indicator & Chassis

Install on **outside** of door with slide opening aligned toward latch. If slide opening does not align with latch, refer to **Chassis Handing** section.

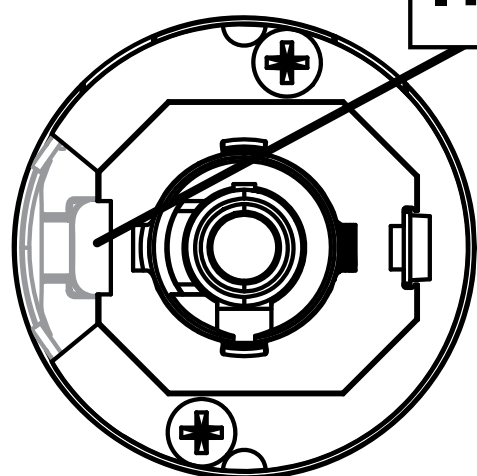


3 Install anti-rotation plate

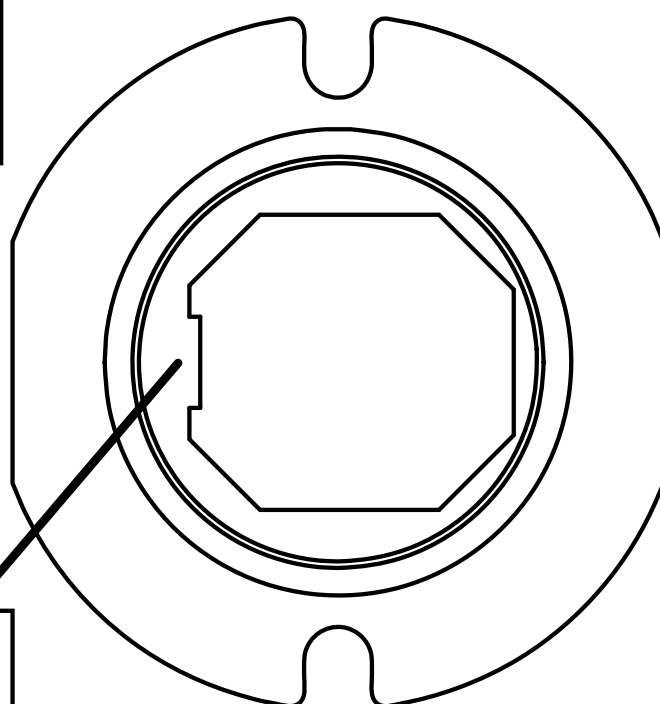
Install on **inside** of door. Note that the inside push button can be adjusted depending on door thickness. The current displayed setting is for a 1-3/4" door. Align the tab with the indent on the hub.



Inside push button



Indent



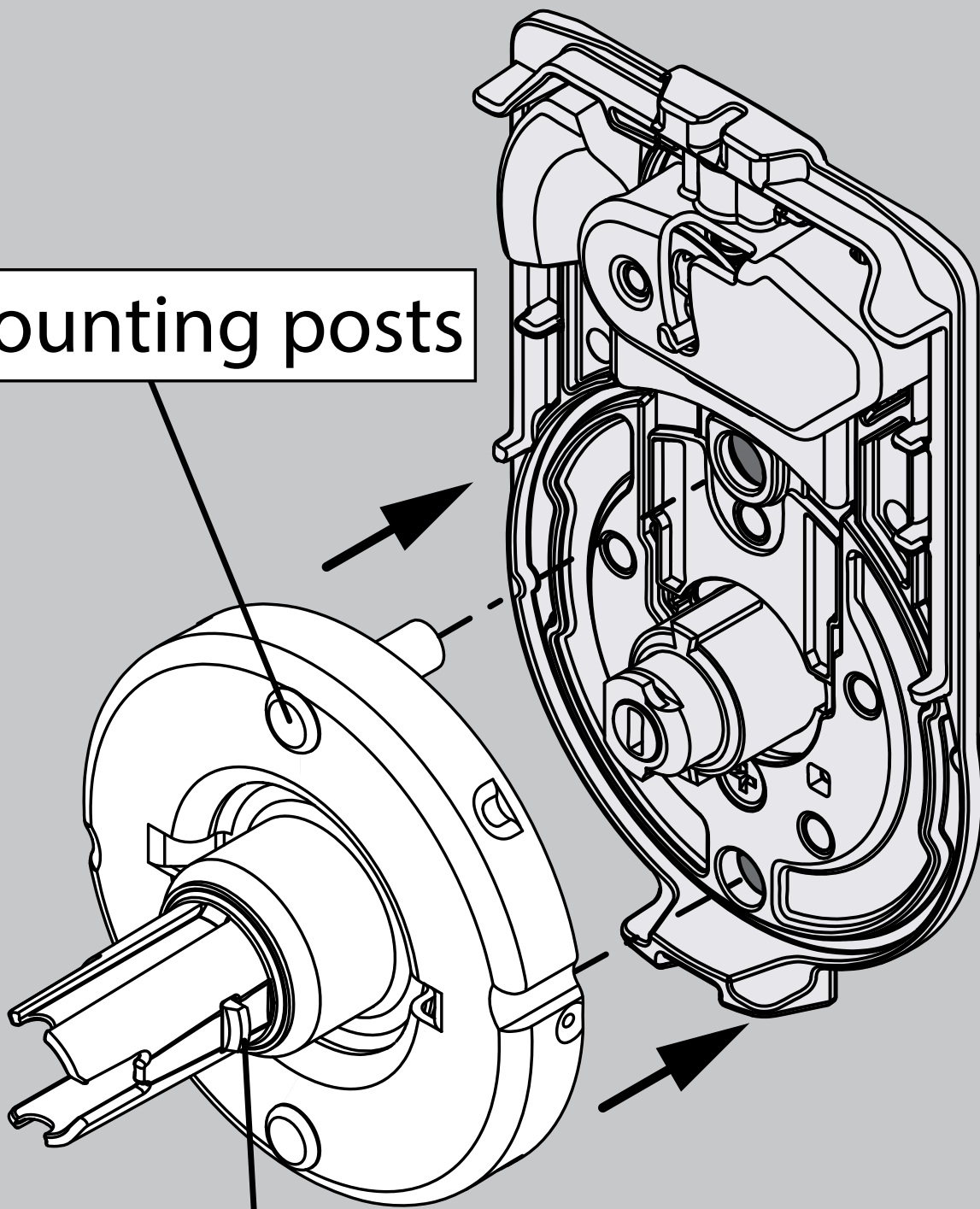
Tab

4 Install outside spring cage assembly

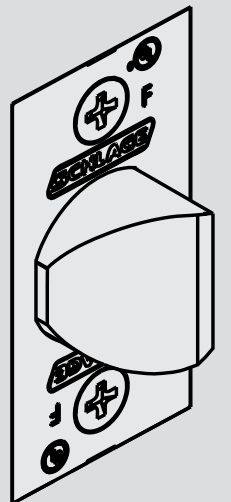
Lever catch faces door edge.

ⓘ Note: The outside spring cage has mounting posts.

Mounting posts



Lever catch



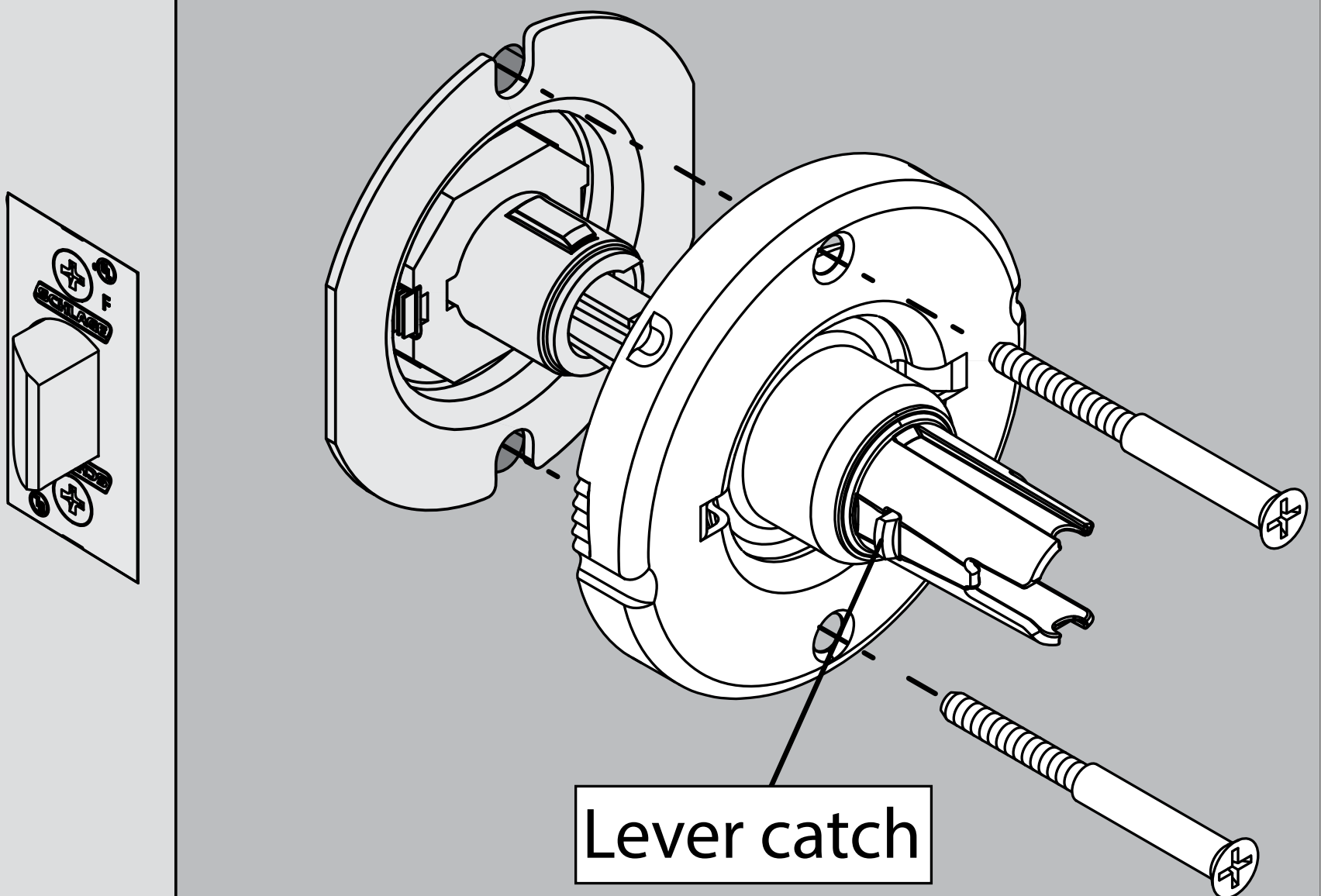
5 Install inside spring cage assembly

Lever catch faces door edge. Install and tighten two (2) mounting screws.

ⓘ Note: The inside spring cage has holes for the screws.

WARNING

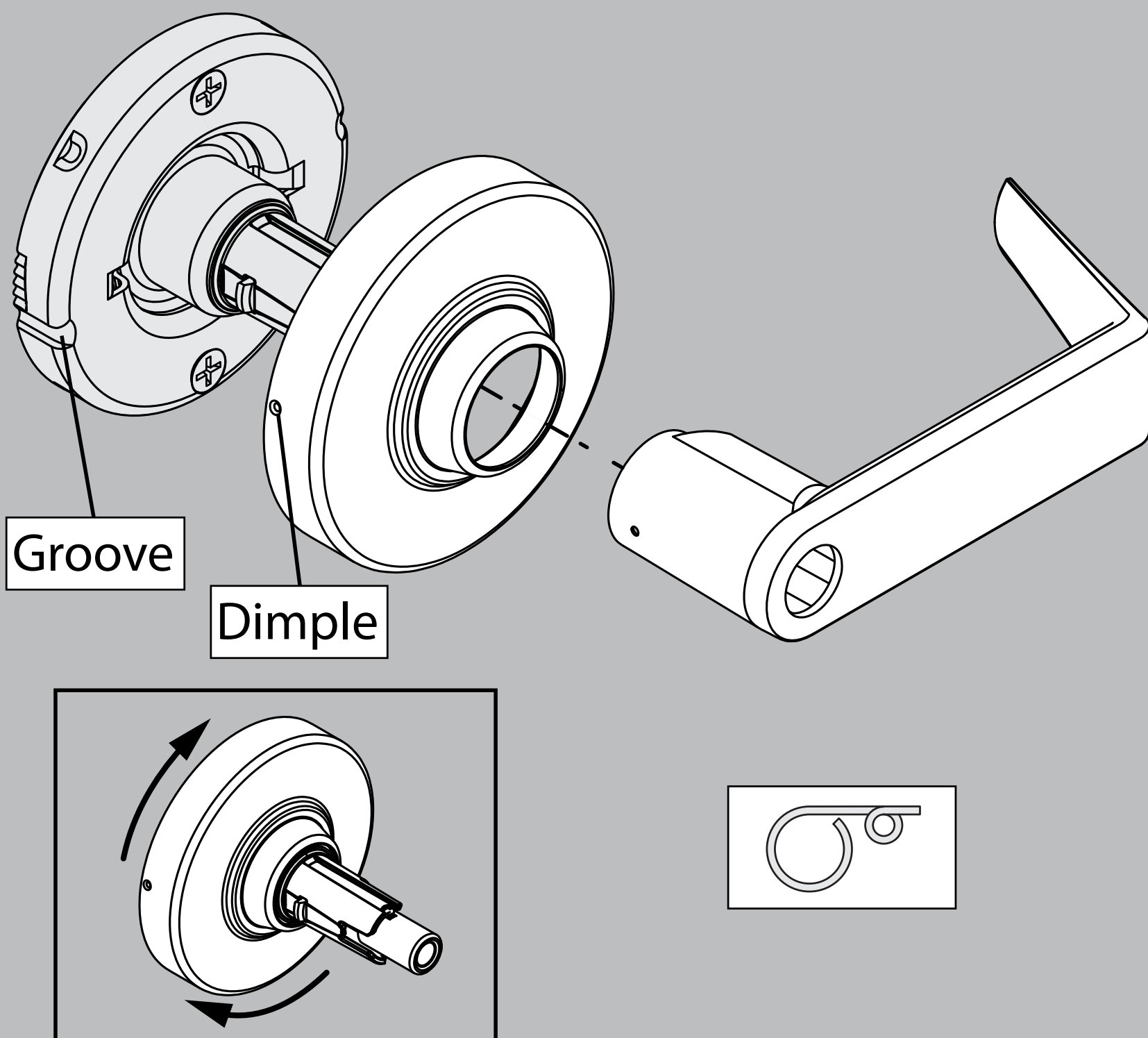
⚠ Do not overtighten the mounting screws.



6 Install inside rose & lever

Align dimple and groove. Rotate rose until it stops. Firmly push on lever until lever catch engages.

ⓘ Note: The inside lever has a smaller hole than the outside lever.



ⓘ Note: A pin wrench may be required to depress the lever catch if mechanism is extra tight.

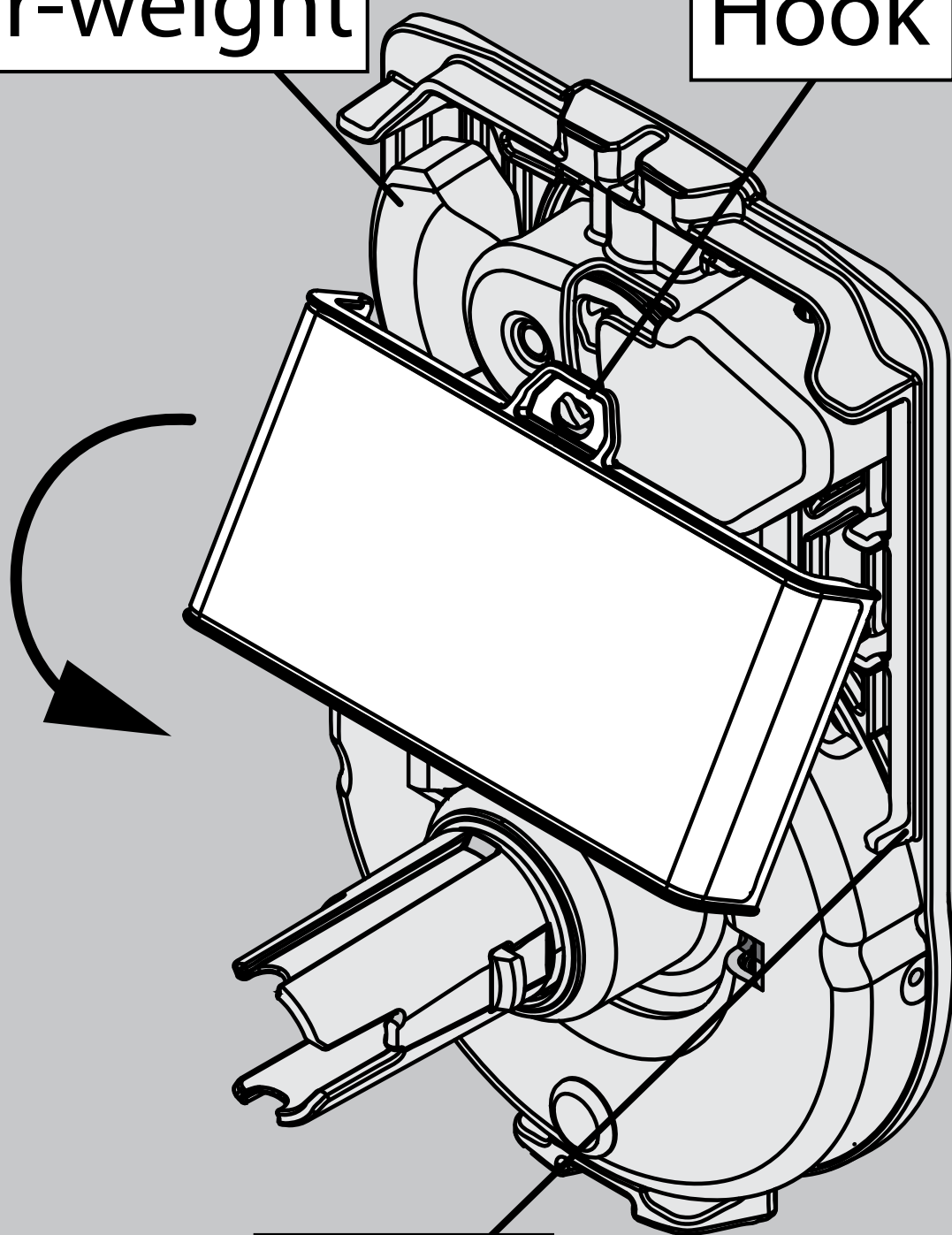
7 Install indicator sign

Place hole in indicator sign over hook on lever and confirm the sign is on housing ledges. Indicator sign will sit on top of the ledges.

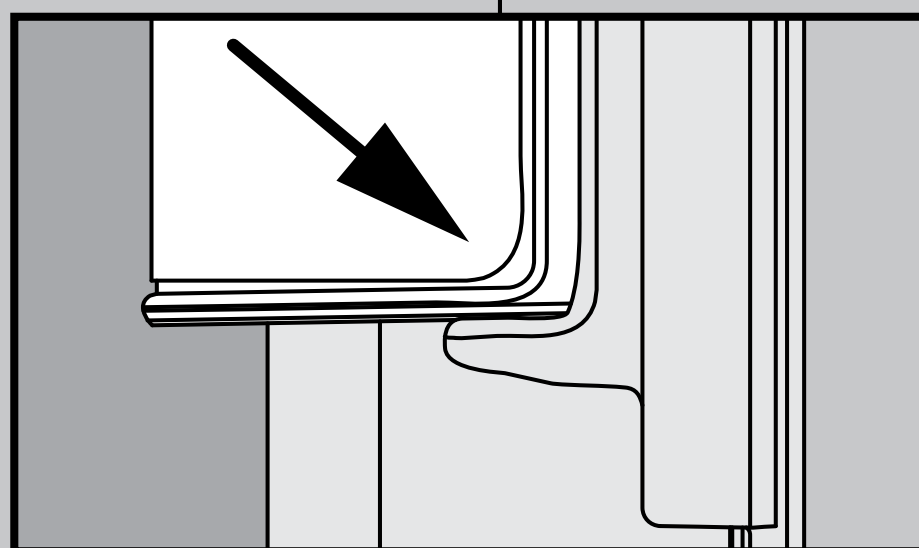
Note: If there is trouble with sign staying on hook, push down on counterweight and hook will move upwards to assist with installation.

Counter-weight

Hook



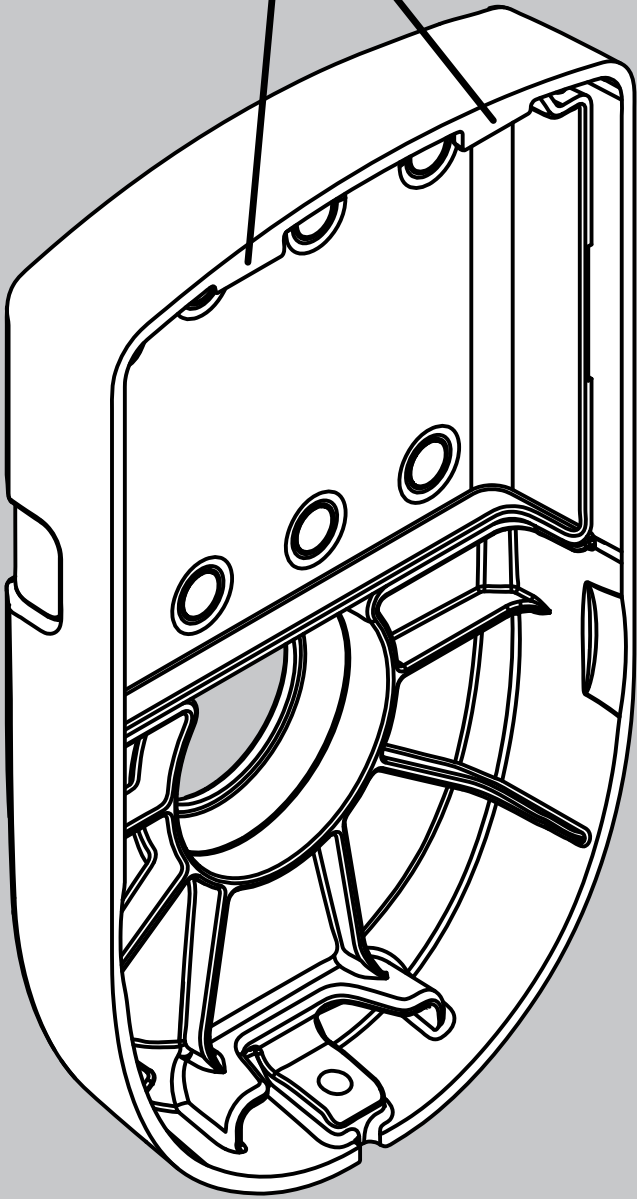
Ledge



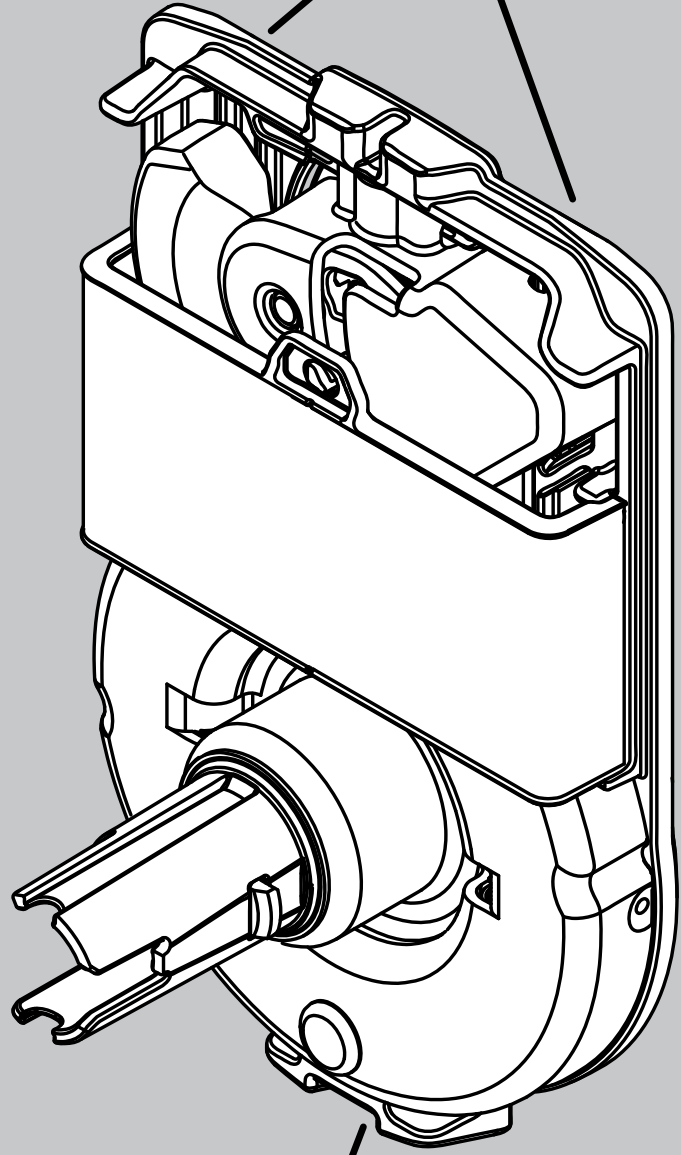
8 Install escutcheon (1 of 2)

Hook escutcheon tabs into baseplate notches.

Escutcheon tabs



Baseplate notches

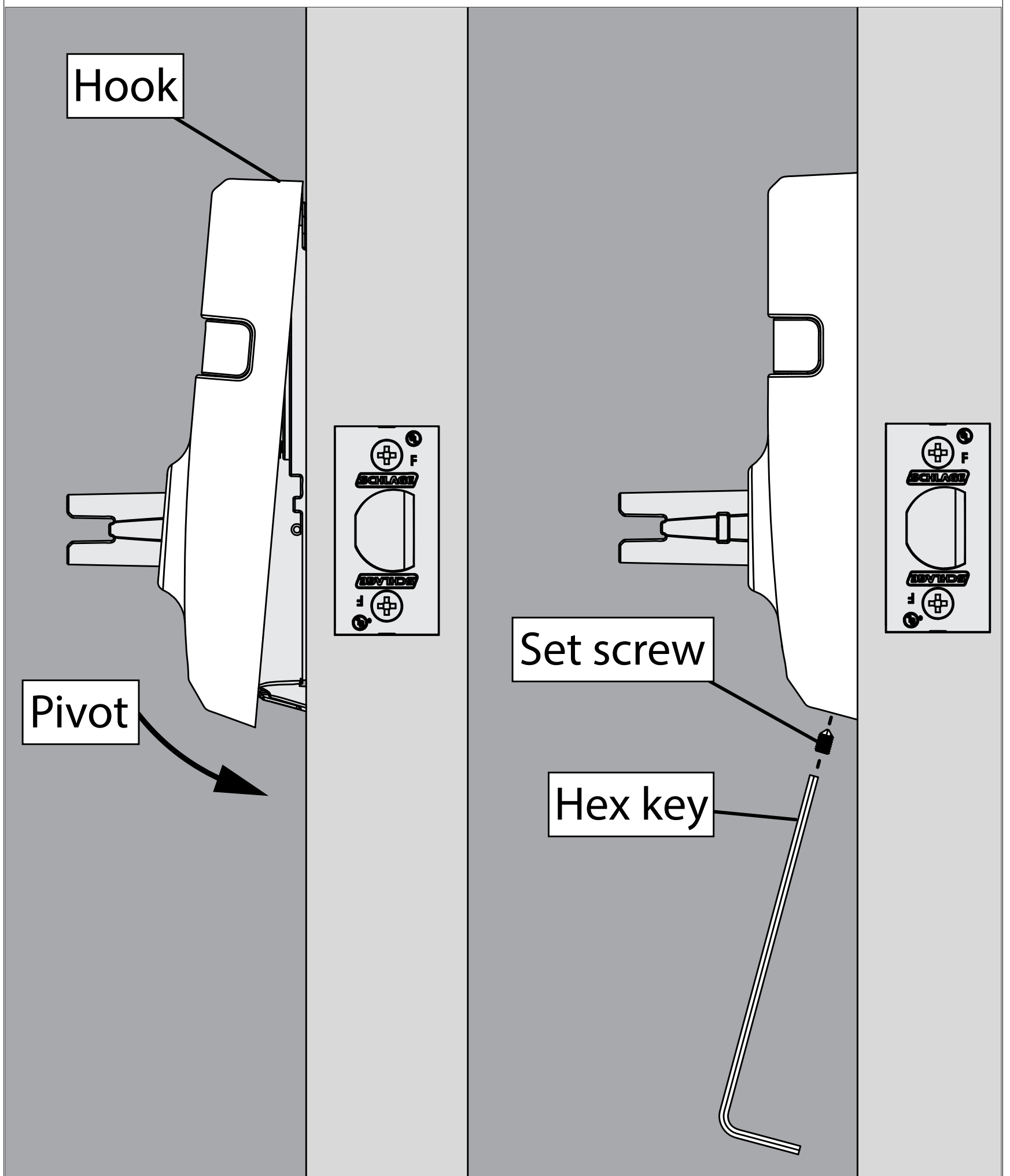


Baseplate slot

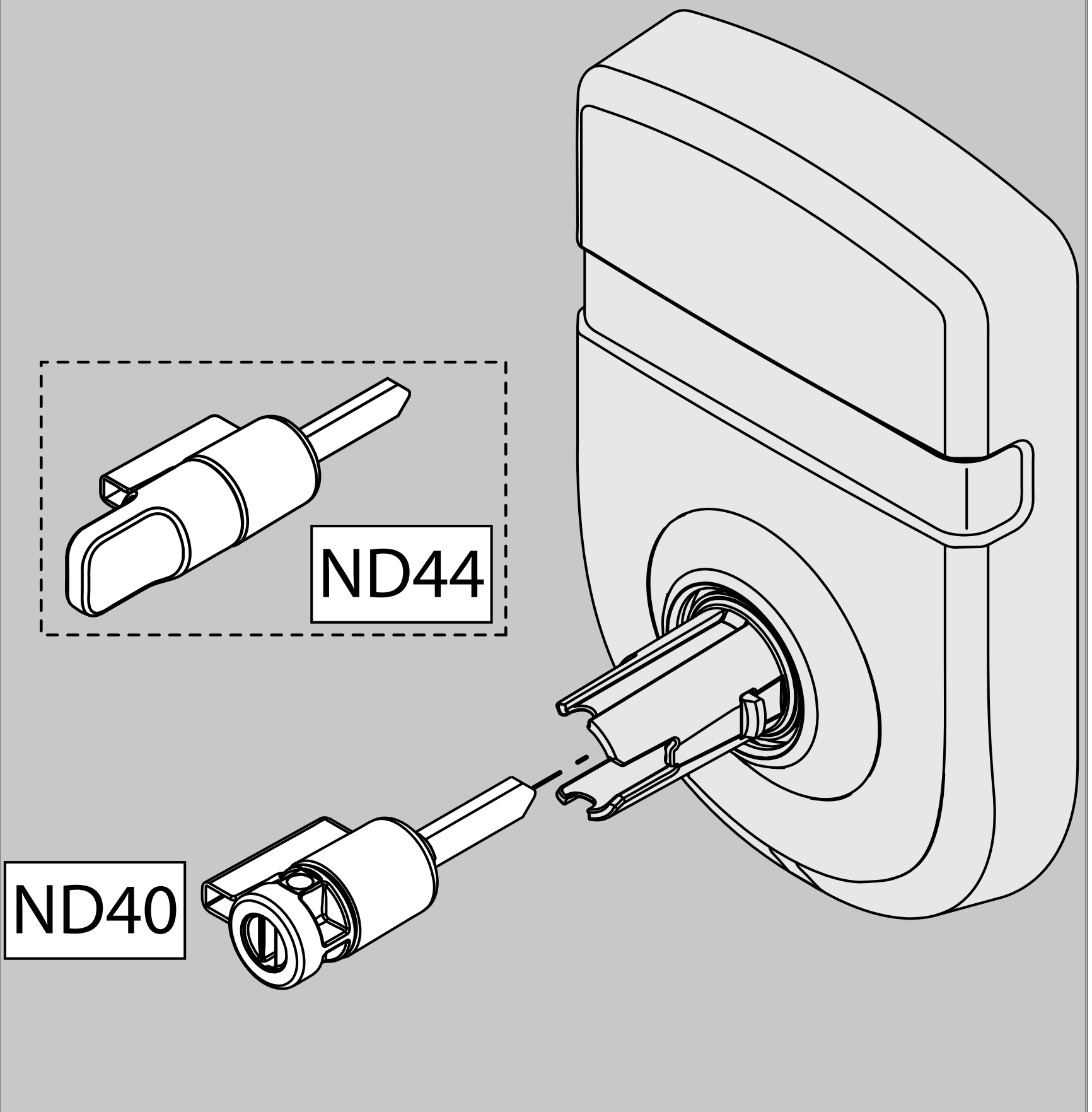


8 Install escutcheon (2 of 2)

Pivot escutcheon against door. Tighten one (1) set screw into baseplate slot with hex key.



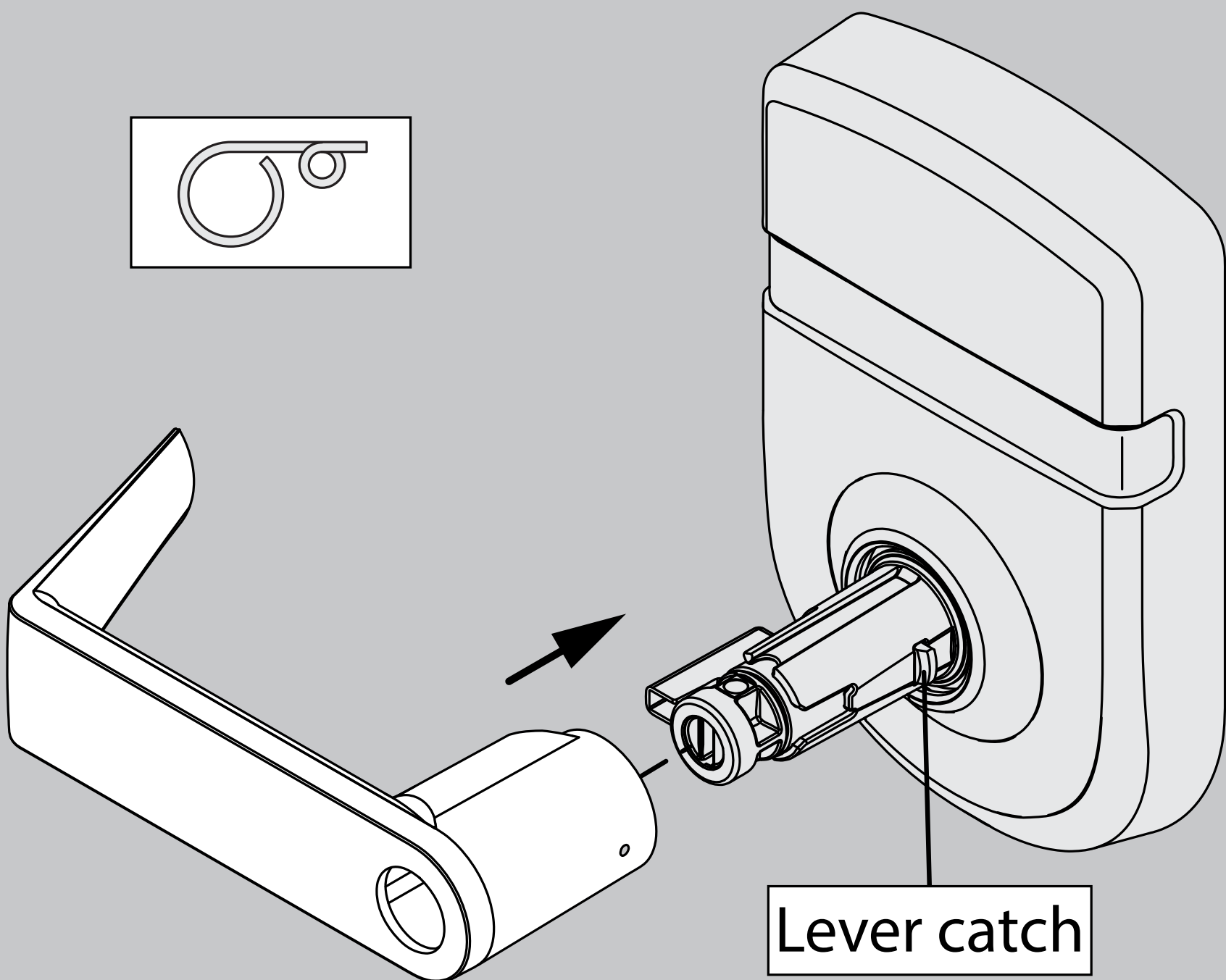
9 Install emergency button and plunger.



10 Install outside lever

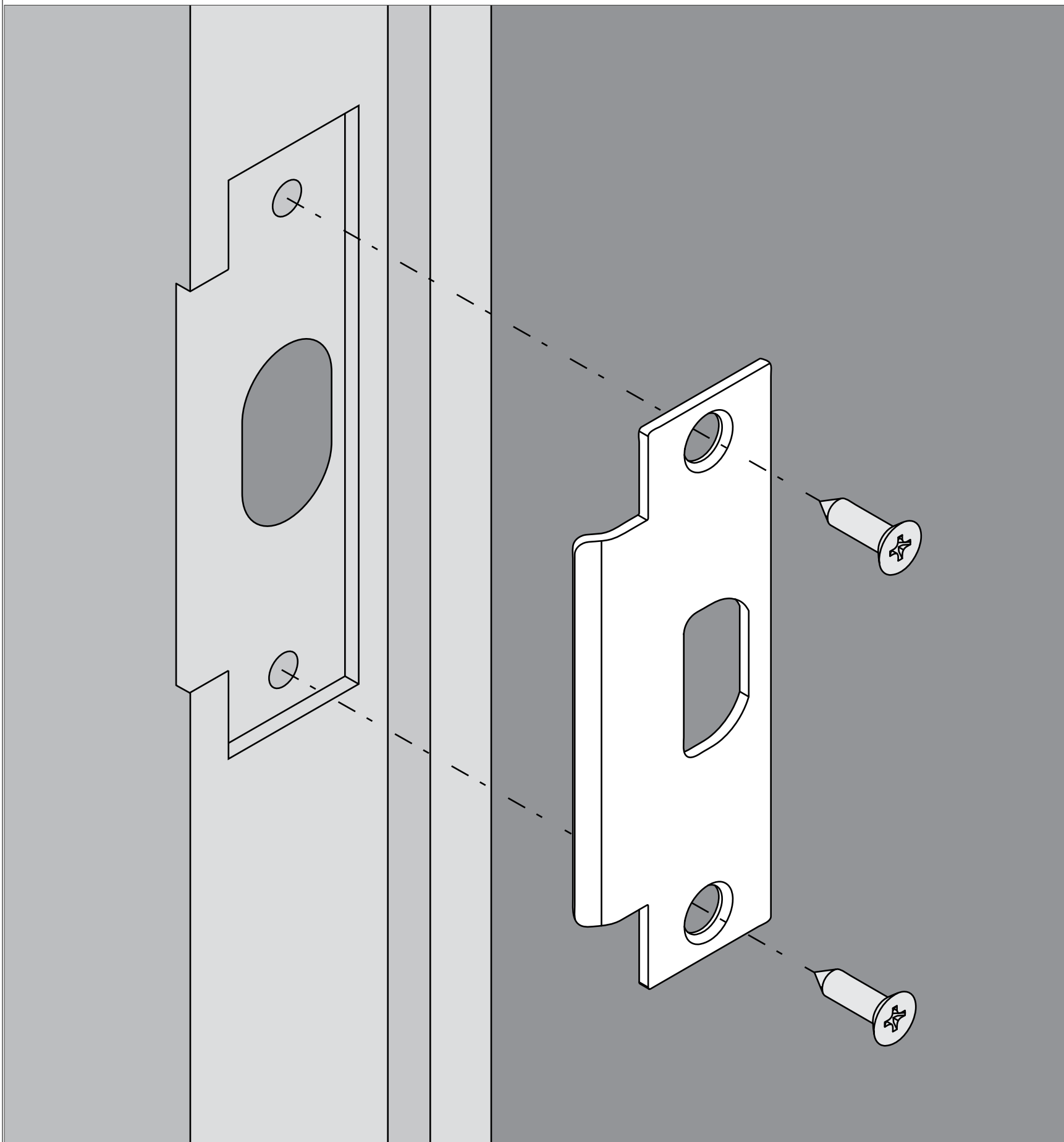
Push lever on until it clicks into place.

ⓘ Note: The outside lever has a larger hole than the inside lever.

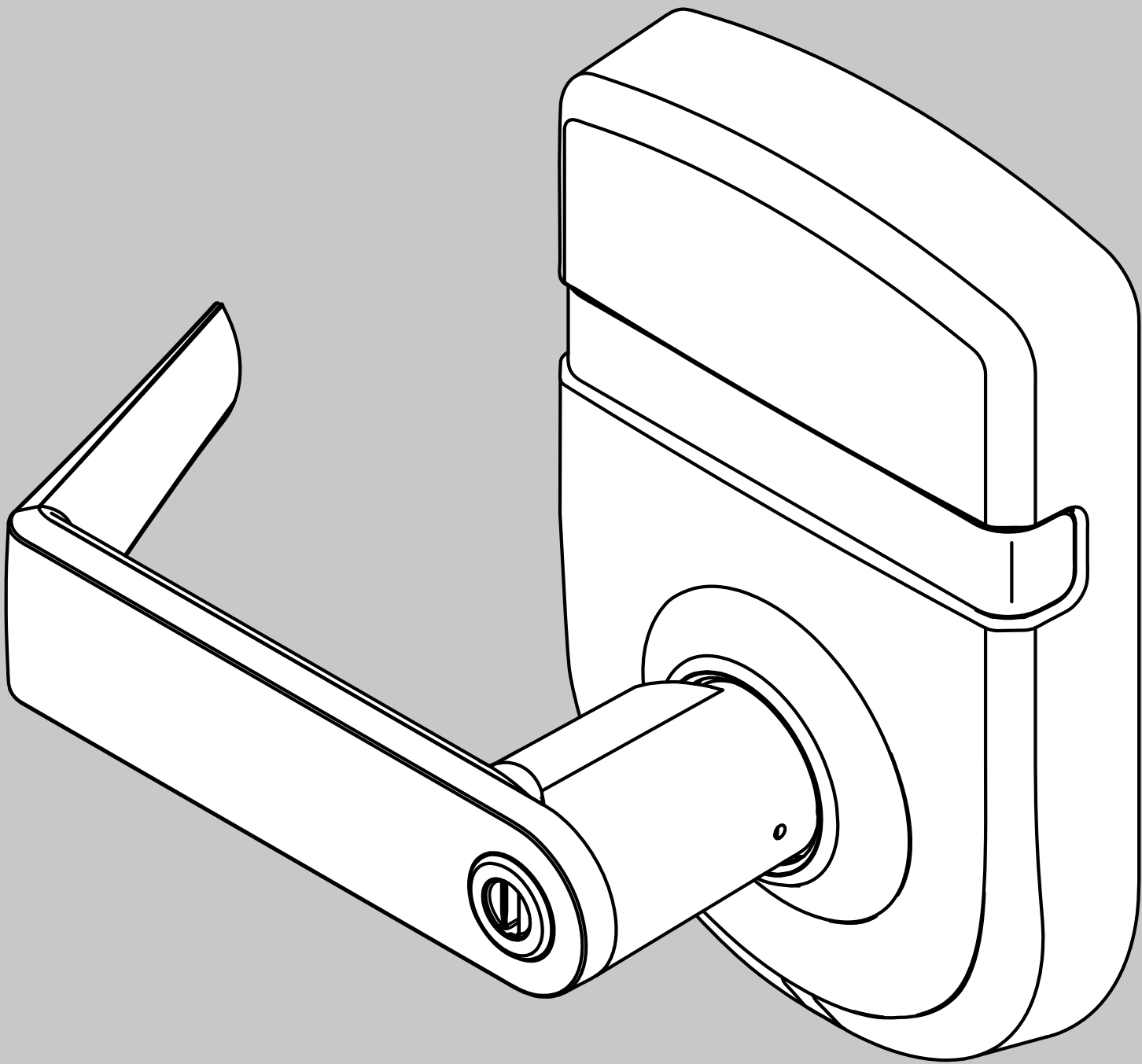


ⓘ Note: A pin wrench may be required to depress the lever catch if mechanism is extra tight.

11 Install strike



12 Complete



Continue to next page to check lock function.

Checking lock function

1. Push the inside button to lock the outside lever.

Check that the outside lever is locked and that the Indicator sign raises to read **“Occupied.”**

2. Rotate the inside lever to release the button and unlock the outside lever.

Check that the outside lever is unlocked and the Indicator sign lowers to read **“Vacant.”**

3. Push the inside push button to relock the outside lever.

Check that the outside lever is locked and that the Indicator sign raises to read **“Occupied.”**

4. Rotate the emergency turn (44 function) or use a flat screwdriver to rotate the emergency button (40 function) to release the inside button.

Check that the outside lever is unlocked and the indicator sign lowers to read **“Vacant”**.

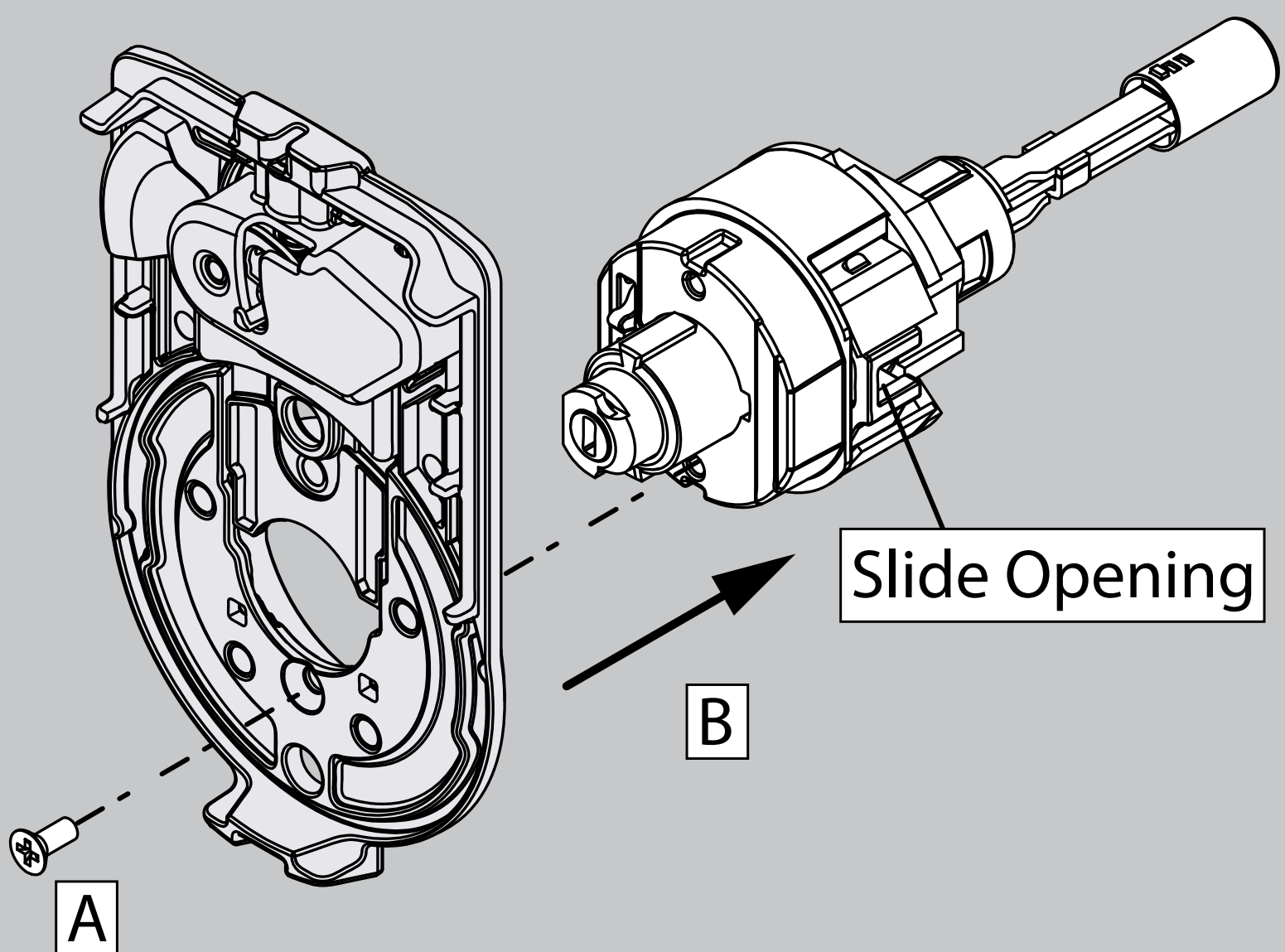
5. The inside lever should always be unlocked and rotate freely.

Chassis Handing (1 of 3)

① **Complete this step only if the slide opening does not align with the latch.**

A Use Phillips screwdriver to loosen and remove screw.

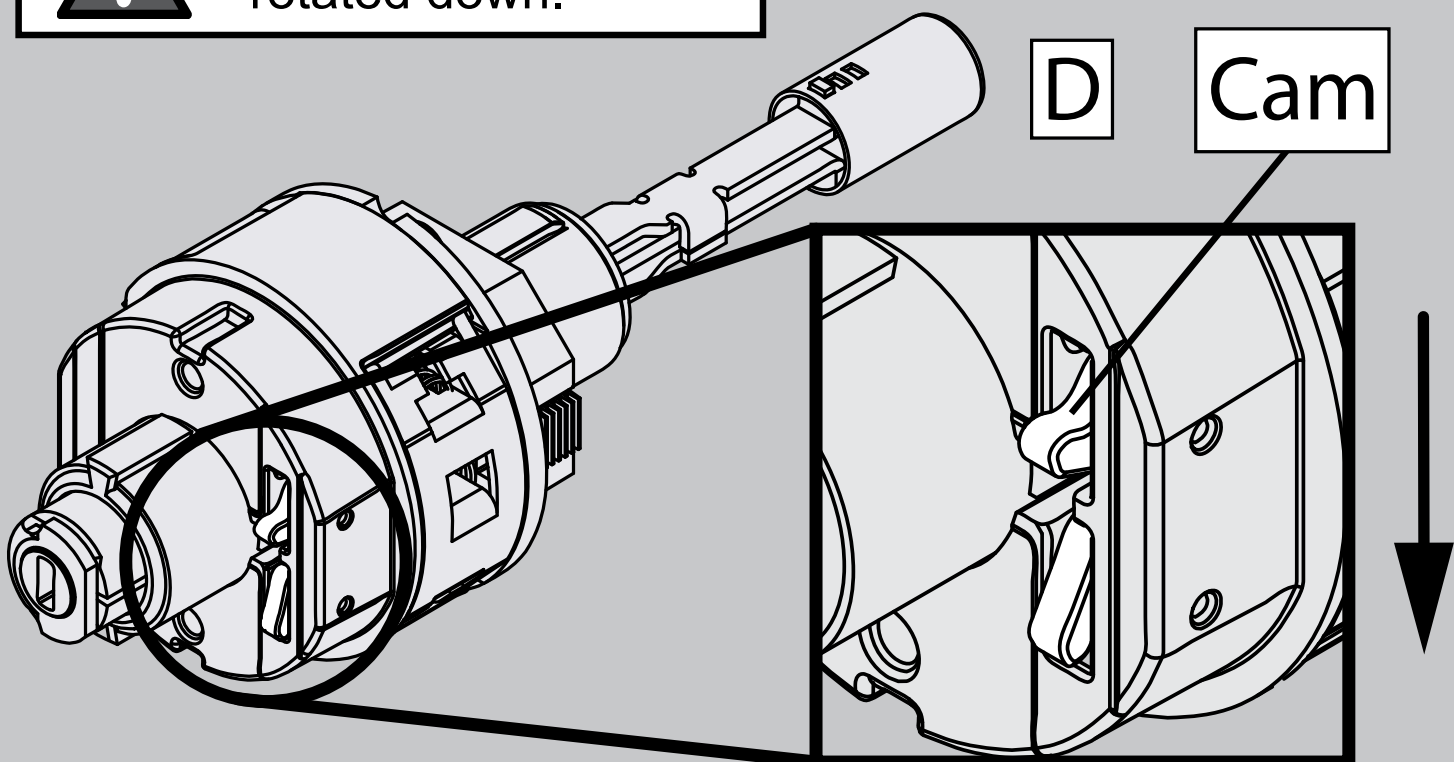
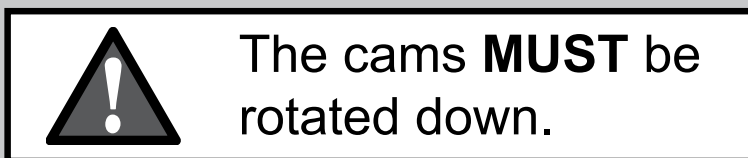
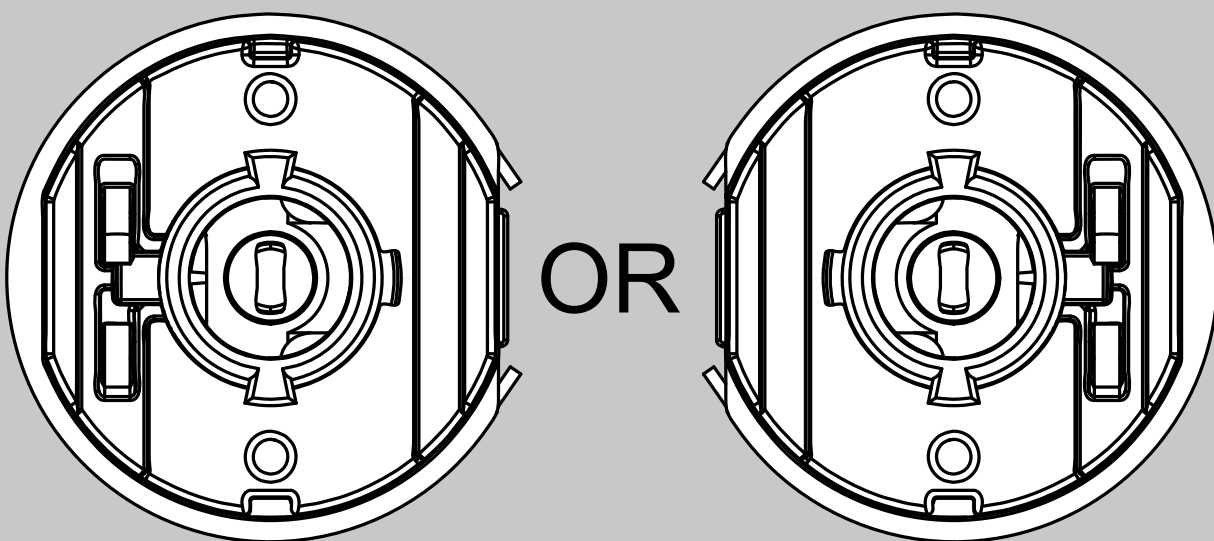
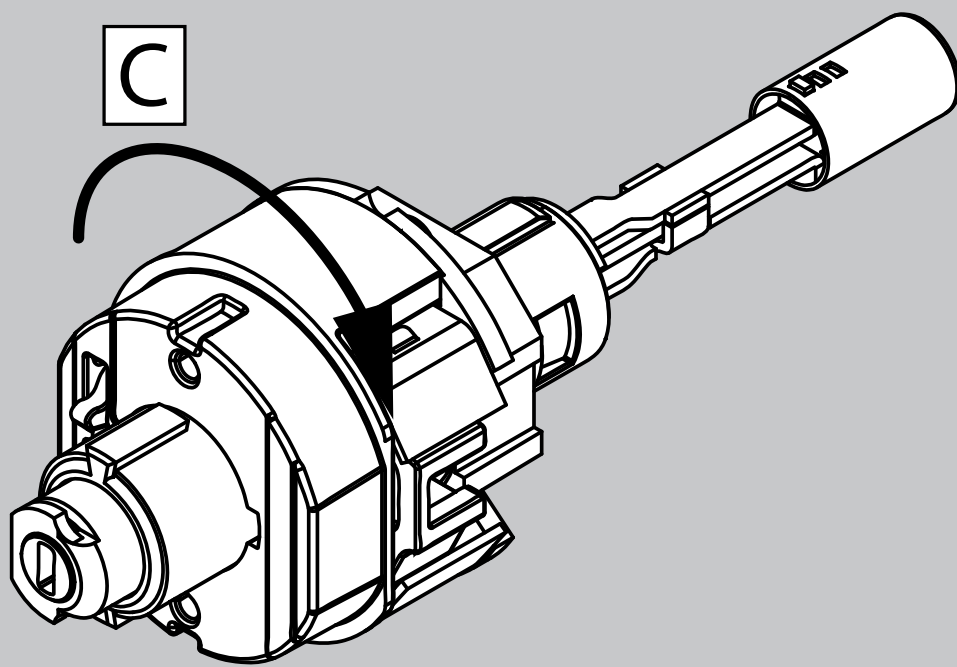
B Separate the indicator assembly from the lock chassis.



Chassis Handing (2 of 3)

C Rotate Chassis 180° to align slide opening towards latch.

D Rotate both cams downwards. Chassis must be unlocked in order to rotate upper cam.



Chassis Handing (3 of 3)

E Reassemble chassis and indicator assembly. Tighten one (1) screw.

F Confirm that the upper cam is engaged with the slider and lower cam is engaged in rectangular hole.

