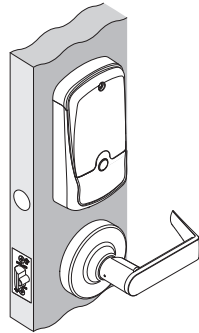
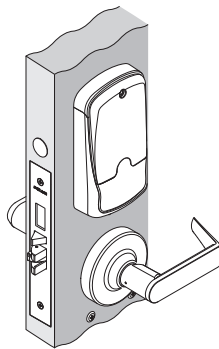


# CO 200/250 Coin Cell Battery Replacement

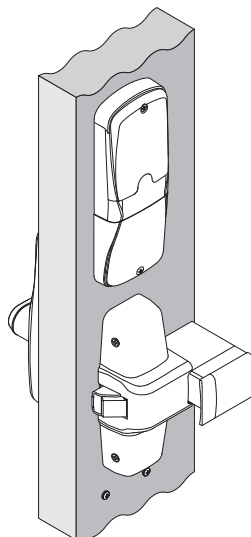
## Installation Instructions



For [CO 200/250 Series Cylindrical](#)  
see page 2.



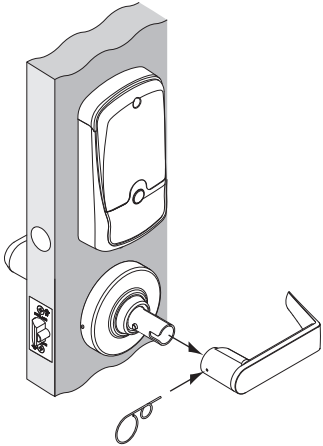
For [CO 200/250 Series Mortise](#)  
see page 3.



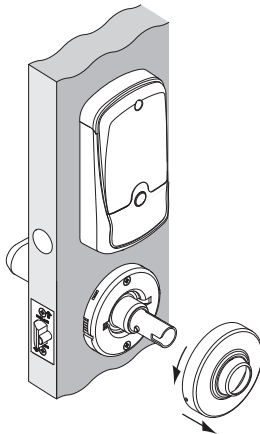
For [CO 200/250 Series Exit](#)  
see page 4.

# CO 200/250 SERIES CYLINDRICAL

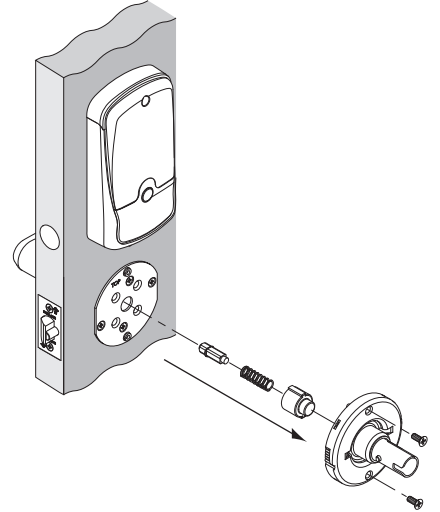
## 1 Remove Interior Lever



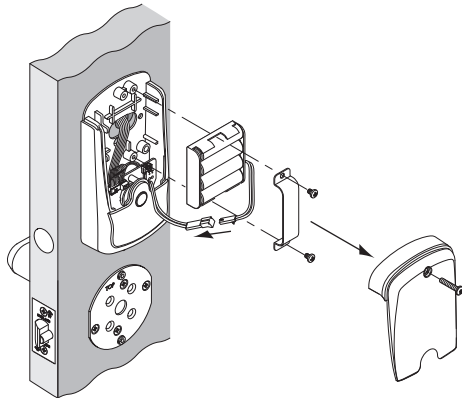
## 2 Remove Rose



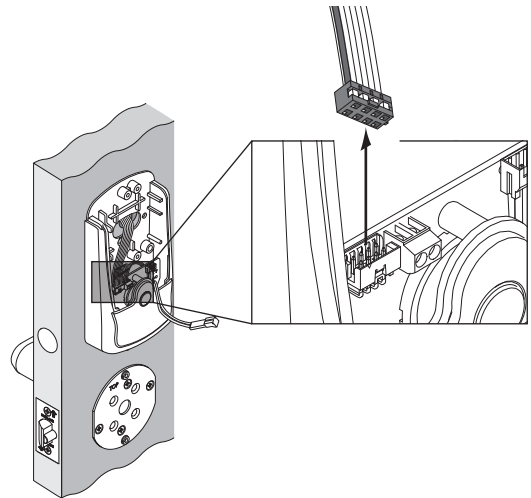
## 3 Remove Spring Cage



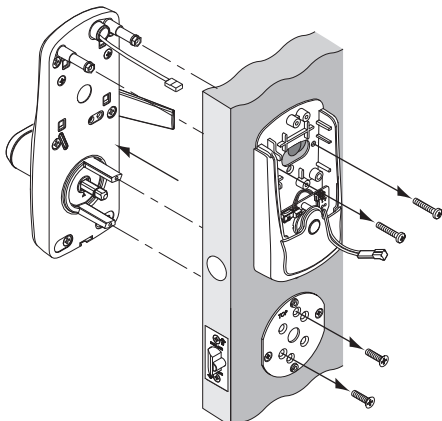
## 4 Remove AA Battery Assembly



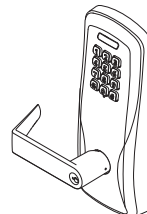
## 5 Unplug Ribbon Cable



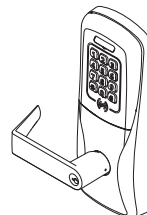
## 6 Remove Exterior Assembly



## 7 Replace Coin Cell Battery



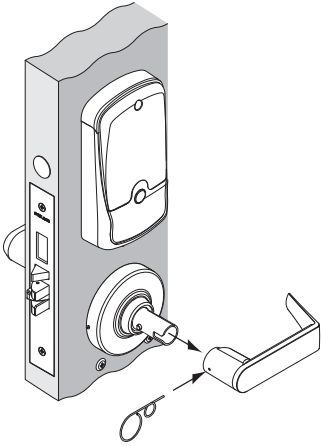
For [Keypad Only Version - Replace Coin Cell Battery](#) see page 5.



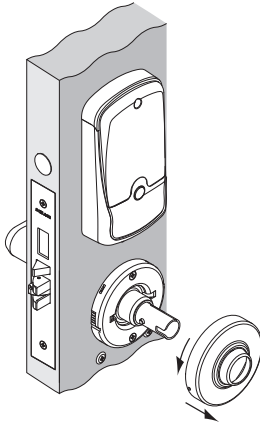
For [Removable Reader Version - Replace Coin Cell Battery](#) see page 6.

# CO 200/250 SERIES MORTISE

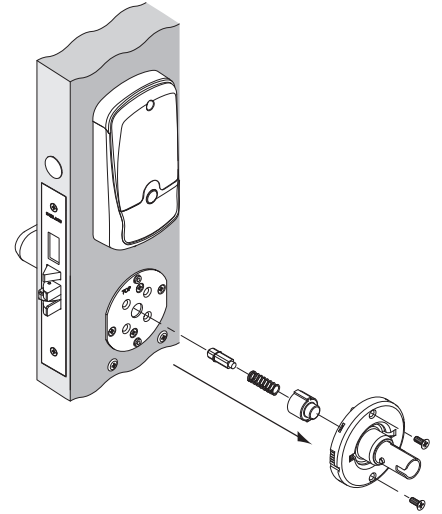
## 1 Remove Interior Lever



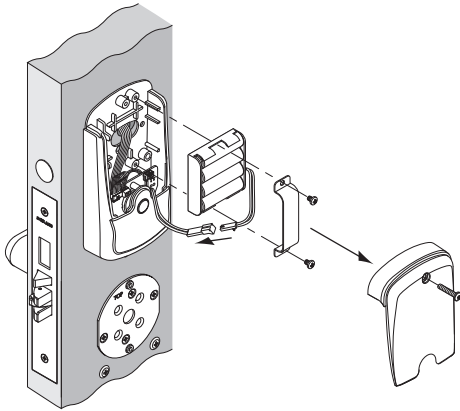
## 2 Remove Rose



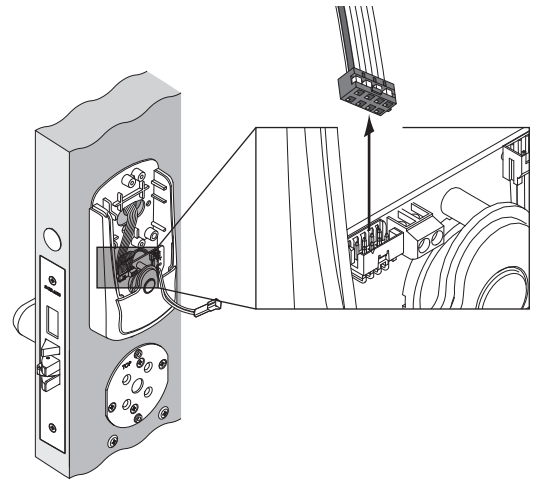
## 3 Remove Spring Cage



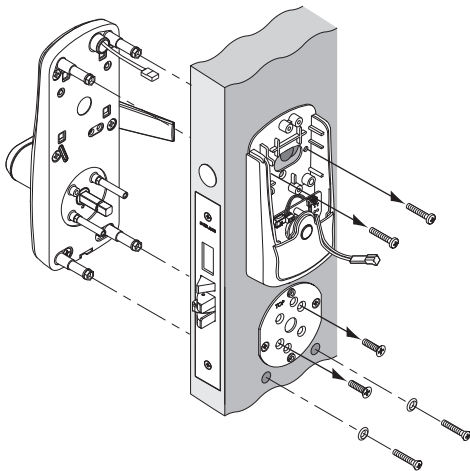
## 4 Remove AA Battery Assembly



## 5 Unplug Ribbon Cable



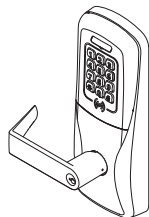
## 6 Remove Exterior Assembly



## 7 Replace Coin Cell Battery



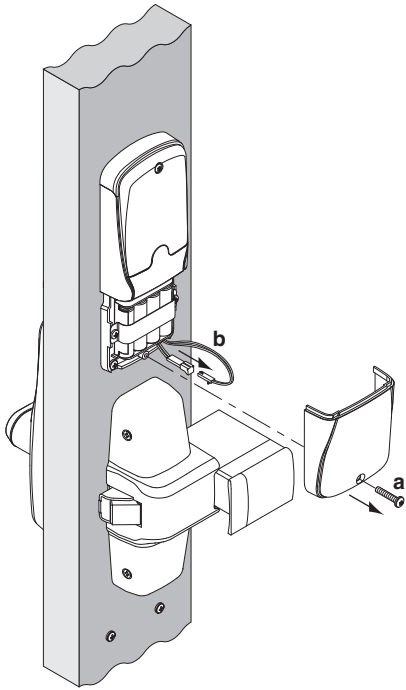
For [Keypad Only Version - Replace Coin Cell Battery](#) see page 5.



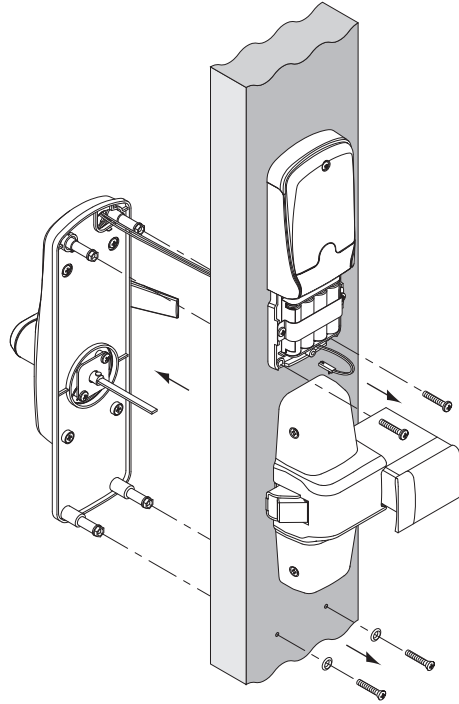
For [Removable Reader Version - Replace Coin Cell Battery](#) see page 6.

# CO 200/250 SERIES EXIT

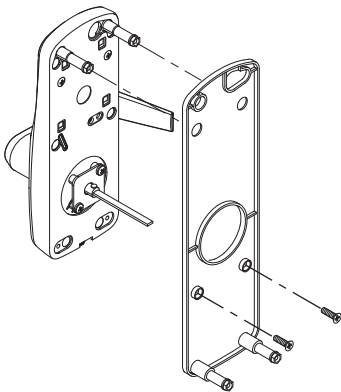
## 1 Remove Interior Lower Cover Plate



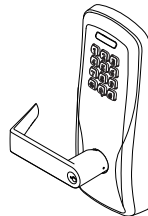
## 2 Remove Exterior Assembly



## 3 Remove Back Plate



## 4 Replace Coin Cell Battery



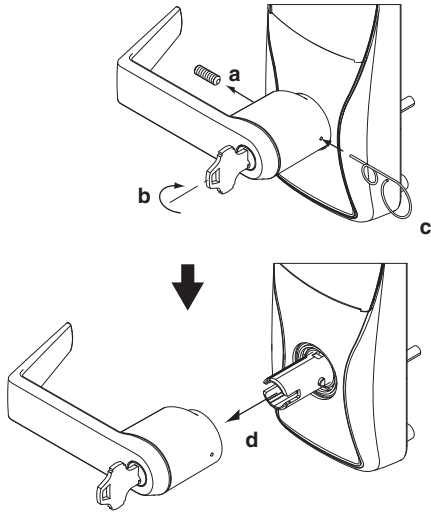
For [Keypad Only Version - Replace Coin Cell Battery](#) see page 5.



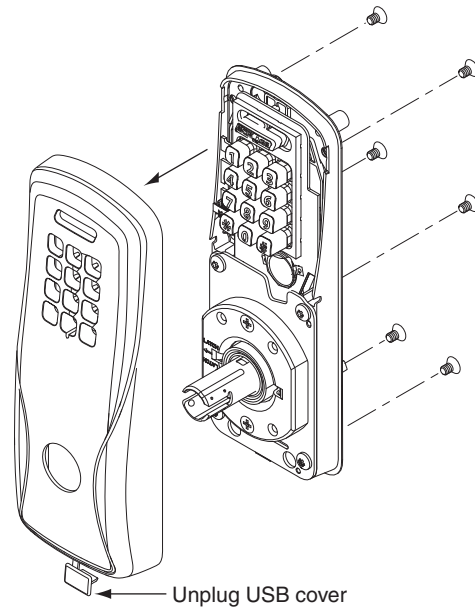
For [Removable Reader Version - Replace Coin Cell Battery](#) see page 6.

# KEYPAD ONLY VERSION - REPLACE COIN CELL BATTERY

## 1 Remove Exterior Lever



## 2 Remove Exterior Escutcheon



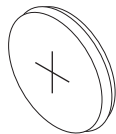
## 3 Review Replacement Battery Specifications

**IR Part Number:** 46929147

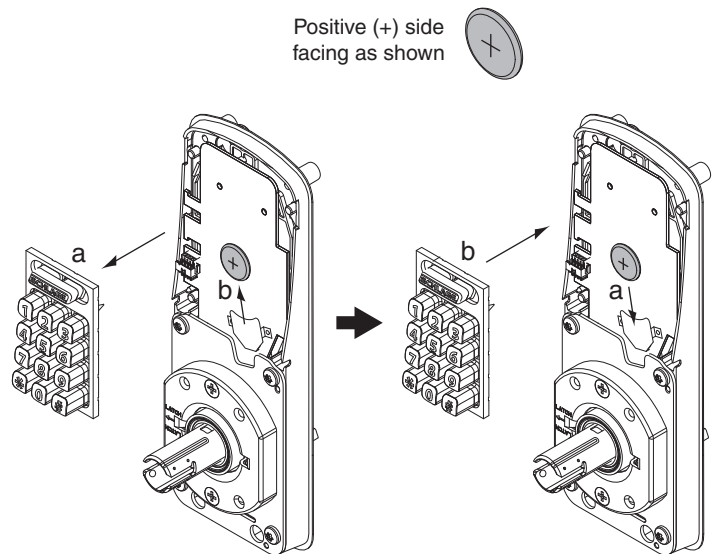
**Battery Type:** Coin Cell CR 2025 3V Lithium

### **⚠ WARNING**

Battery must be installed with the positive (+) side facing as shown in step 4 to avoid risk of shorting battery, fire, or explosion.



## 4 Remove and Replace Battery

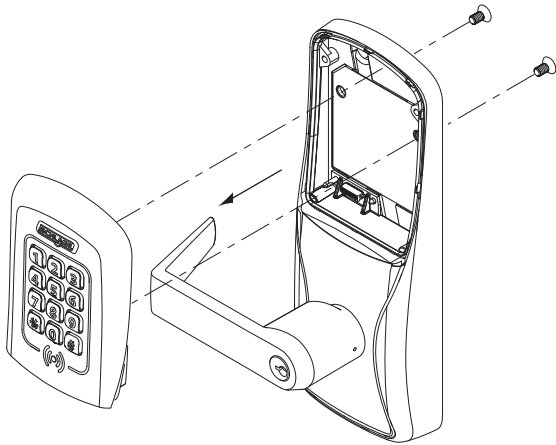


## 5 Reassemble and Reinstall Lock

Follow original installation instructions to reinstall product. These instructions can be found online at [www.schlage.com/support](http://www.schlage.com/support).

# REMOVABLE READER VERSION - REPLACE COIN CELL BATTERY

## 1 Remove Reader



## 2 Review Replacement Battery Specifications

**IR Part Number:** 46929147

**Battery Type:** Coin Cell CR 2025 3V Lithium

### **⚠ WARNING**

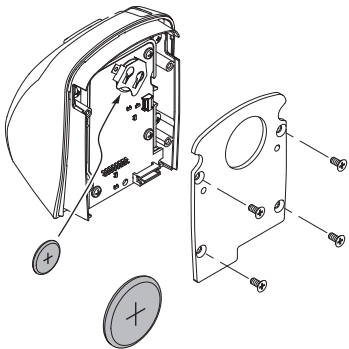
Battery must be installed with the positive (+) side facing as shown in step 3 to avoid risk of shorting battery, fire, or explosion.



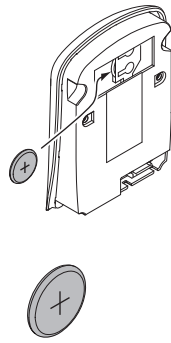
## 3 Remove and Replace Battery

**Mag Swipe Reader Type**

**All other Reader Types**



OR



## 4 Reassemble and Reinstall Lock

Follow original installation instructions to reinstall product. These instructions can be found online at [www.schlage.com/support](http://www.schlage.com/support).