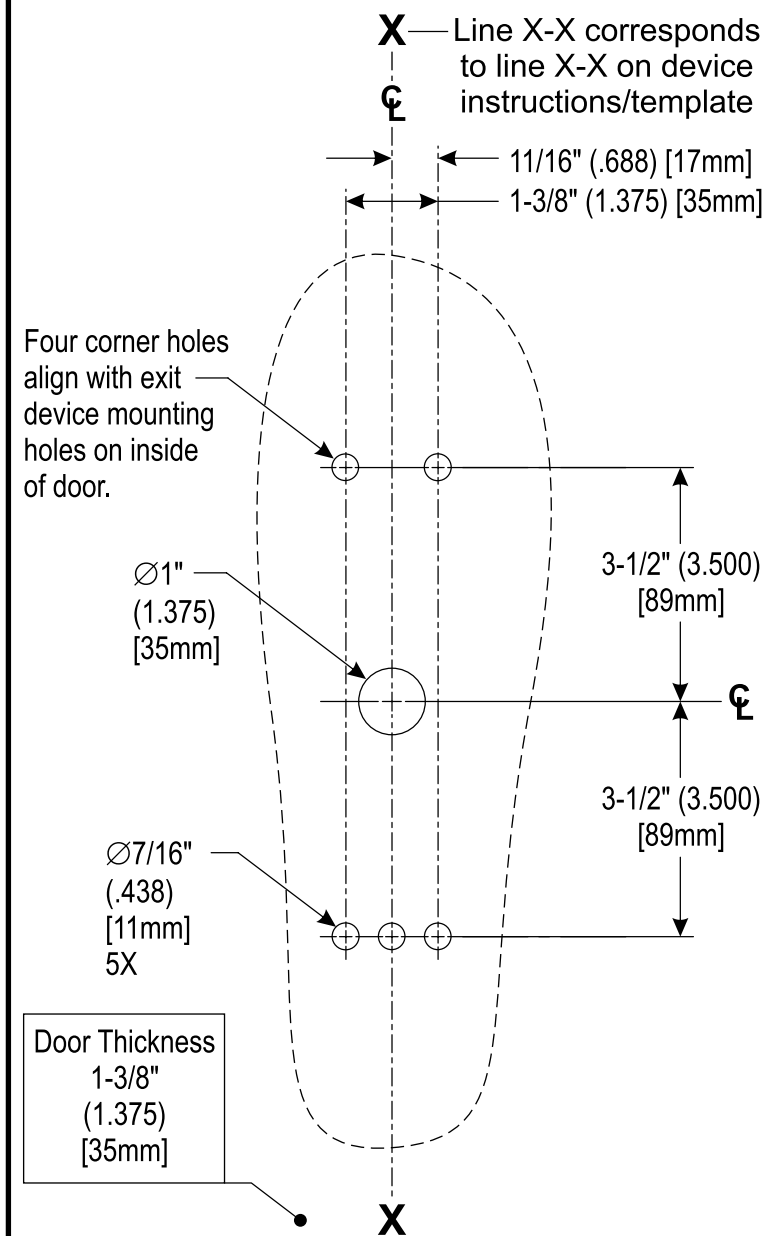


DOOR PREP

Note: For retrofit applications, existing trim and exit device must be removed from door.



BLOCKING RING TABLE	
Mortise Cylinder Length	Blocking Ring (Schlage P/N: XXX=finish)
1-1/4"	1/8" (36-079-012-XXX)
1-3/8"	1/4" (36-079-025-XXX)
1-1/2"	3/8" (36-079-037-XXX)
1-5/8"	1/2" (36-079-050-XXX)

TEST TRIM

- Depress exit device pushpad.
> Result: Latch(es) should retract.
- Turn cylinder key counterclockwise until key stops.
- Press trim lever down.
> Result: Latch(es) should not retract.
- Turn cylinder key clockwise until key stops.
> Note: For trim with ATK option, green LED on trim flashes when key is turned.
- Press trim lever down and release.
> Result: Latch(es) should retract.
- Turn cylinder key counterclockwise until key stops.
- If trim has keypad, enter factory default access code: **1 3 5 7 9**. Green LED on trim flashes.
- While green LED is flashing, press trim lever down and release.
> Result: Latch(es) should retract.
- After green LED stops flashing, press trim lever down and release.
> Result: Latch(es) should not retract.

TROUBLESHOOTING

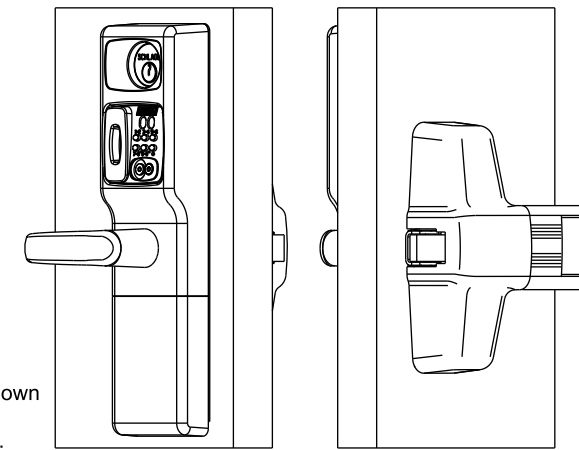
If cylinder key does not work properly, check that:

- (1) cylinder is installed in correct position.
- (2) correct cylinder cam is installed.
- (3) cylinder cam is installed in correct position. If keypad does not work properly, check that batteries are installed properly.

OPERATIONAL TESTING

- OPERATIONAL TEST - CM993 SERIES LOCKS:**
> P.
- OPERATIONAL TEST - CL993 SERIES LOCKS:**
> P.

SCHLAGE



Lock is shown with PXX credential.

COMPUTER MANAGED & CAMPUS LOCK SYSTEMS

Programmable Access Control Trim
CM993 & CL993 SERIES

Customer Service

1-877-671-7011 www.allegion.com/us



© Allegion 2015
Printed in U.S.A.
60993 Rev. 05/15-f

INSTALLATION INSTRUCTIONS

INTRODUCTION

This manual covers the complete hardware installation of any model in the CM993 and CL993 Series line of trim.

The CM993 and CL993 are compatible with, but not limited to the following Von Duprin exit devices: 98/99 Rim, 98/9927, 98/9947 WDC, 98/9947, 98/9948, and 98/9957.

NOTES:

- Illustration on pages 2 and 3 shows a LHR installation, but yours might be different.
- Key cylinder to be 1-1/8" or longer with Schlage B502-191 or Schlage B502-948 or equivalent cam.
- Do not overtighten fasteners.
- For manual programming instructions and information on using access cards and electronic keys, see the programming guide.
- For computer programming instructions, see the documentation and help files included with the computer software.

NON-SUPPLIED TOOLS & MATERIALS NEEDED

- Philips head screwdriver set
- Power Drill with 3/8" chuck
- Drill bit set (up to 1")
- 2-1/8" Hole saw
- Allen wrench set
- Square (90 degrees)
- Threadlocker (Loctite 242 recommended)
- Tape Measure
- Pencil
- Center Punch
- Hammer
- Chisel
- Level
- Masking tape

See Back Cover for:

- Door Prep
- Blocking Ring Chart
- Test Procedure
- Troubleshooting

This device complies with part 15 of FCC rules. Operation is subject to following two conditions:
(1) This device may not cause harmful interference.
(2) This device must accept any interference received, including any interference that may cause undesired operation. Changes or modifications not expressly approved by party responsible for compliance could void user's authority to operate equipment.

After door has been prepared, refer to illustration on right and assemble lock components onto door in following order:

- 1 - Install Key Cylinder (A) (refer to **DETAIL D-A**):
 - If A is longer than 1-1/8", insert B into C (refer to **BLOCKING RING TABLE** on page 4).
 - Insert A into C.
 - Slide D over A.
 - Using E, screw F onto A until tight.
 - Line up nearest notch on F with tab on D.
 - Bend tab on D into notch of F.
- 2 - If changing the Handing is necessary, refer to **DETAIL D-A** and do the following:
 - Using a 5/32" hex wrench, remove G.
 - Remove H, rotate 180 degrees, slide back on shaft.
 - Apply threadlocker to G, reinstall G.
- 3 - Preliminary Test of Trim (refer to **DETAIL D-A**):
 - Insert key into A and turn CW (this engages A).
 - Rotate H down.
 - RESULT: I must rotate as H is rotated.
- 4 - Install Stop Screw (J).
 - With A engaged (see above), rotate H down & hold.
 - Install J into proper hole (LHR or RHR).
 - RESULT: H should not rotate up from horiz. pos.
- 5 - Refer to **DETAIL D-B** and verify K is installed in L.
 - If K is missing, install K (supplied).
- 6 - Place O on door, secure with T.
- 7 - Insert M into O (refer to **DETAIL D-C & DETAIL D-D**).
 - **DETAIL D-C**:
 - > LHR - end with notches (N) towards C.
 - > RHR - end with notches (N) towards O.
 - **DETAIL D-D**:
 - > Longest step (P) on M towards Q.
- 8 - Install Trim (C):
 - Install R into C.
 - Apply sticky side of S to C.
 - Align M with I and place C on door.
 - Install each T into each R.
 - If they were removed, reinstall 2 screws (U).
- 9 - Observe polarity and install 4 batteries (V).
- 10 - Place W and X against C, secure with Y and Z.

INSTALLATION OF HARDWARE COMPLETE

See Page 4 for **TESTING, TROUBLESHOOTING, and OPERATIONAL TESTING - CM993 AND CL993.**

