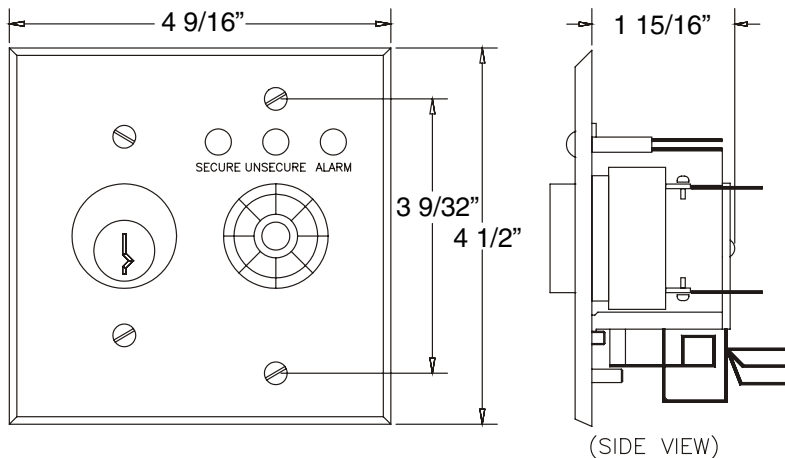




24481491

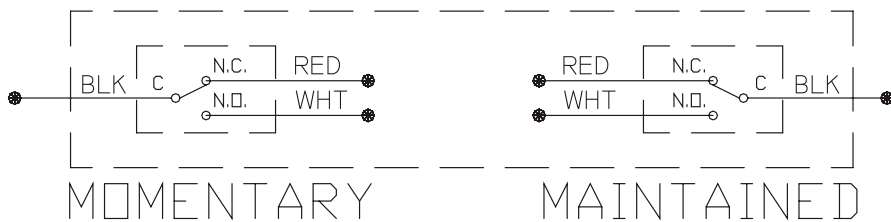
801-KS Local and Remote Monitoring and Control Station

Installation Instructions



Specifications	
Audible	LED Indicators:
Input Req: 10-28VDC/3-14mA	Input Req: 12-24VDC/30mA ea.
Rated: 70dB @ 2ft	Secure - Green
	Unsecured - Red
	Alarm - Yellow
Hook-Up Leads:	Keyswitch:
(4) 24 AWG - 6" long	Contacts: 5Amp/30VDC
BLK (C) - Common	Wire Leads: 22AWG - 6" long
RED (U) - Unsecured	
RED (S) - Secure	
RED (A) - Alarm	

⚠ IMPORTANT NOTES ⚠
Unit must be equipped with MBS option for LEDs to work.



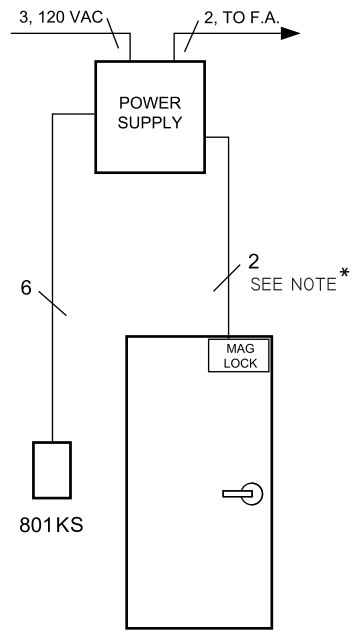
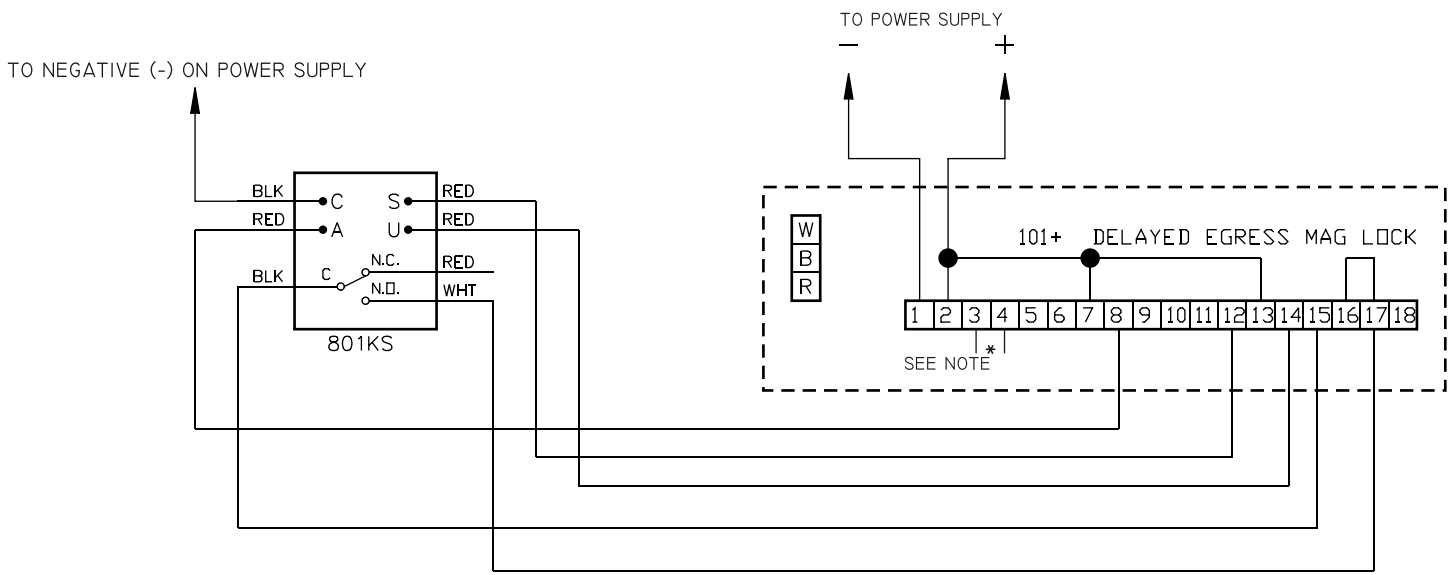
Description

Provides local signal to assure users that a delayed egress system is functioning (code requirement). Includes audible and visual indication of lock status and delay activation. Provides two (2) SPDT switches: one momentary, one maintained, which can be wired to release lock and/or reset alarm condition. The keyswitch requires a standard 1-1/4" mortise cylinder with a standard straight cam. Unit mounts in a standard, double-gang electrical box.

Description of Operation

The 801-KS is wired to a magnetic lock delayed egress system. The following is an operation sequence from normal (secure) condition, through an unauthorized egress attempt, to system reset:

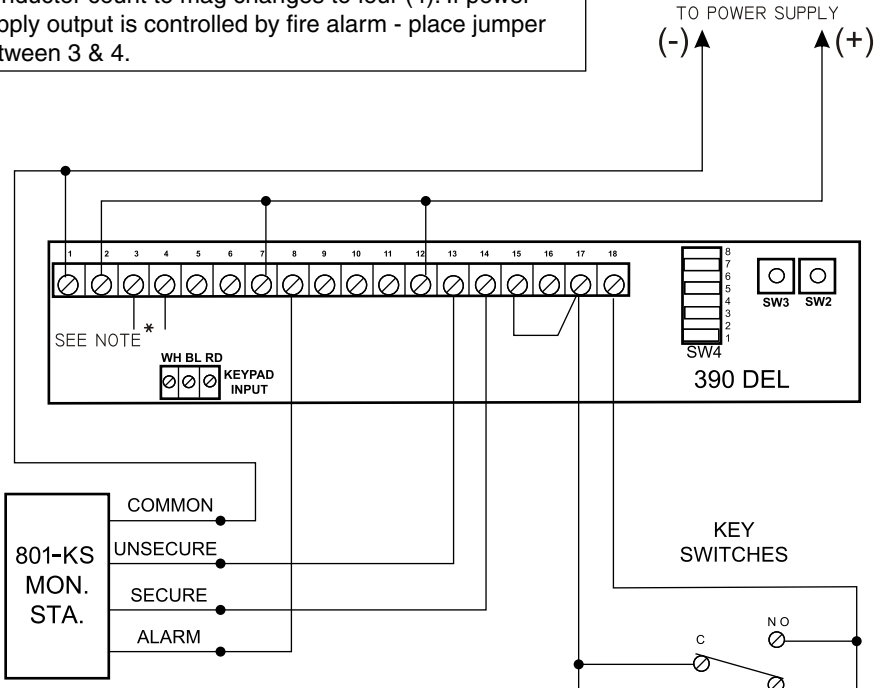
Condition:	801-KS Status
Door closed and secure	Alarm Silent - Green LED on
Unauthorized egress attempt	Alarm Sounds - Green & Yellow LED on
After 15 (or 30) second delay	Alarm Sounding - Yellow & Red LED on
System reset	Alarm Silent - Green LED on
Legal release	Alarm Silent - Red LED on



TYPICAL - EACH OPENING

RISER FOR GRAPHIC REFERENCE. LOCATE ALL DEVICES PER A-E/G.C./O.R. ADDITIONAL WIRING FOR OTHER DEVICES MAY BE REQUIRED.

NOTE:
Fire alarm connection - for direct connection, terminals 3 & 4 connect to N.C. Dry output contacts (open on alarm). Conductor count to mag changes to four (4). If power supply output is controlled by fire alarm - place jumper between 3 & 4.



NOTE:
All low voltage runs - 18 GA. minimum, except as noted. Recommended 2 spares per run. All wiring to comply with all applicable national, state, and local codes.