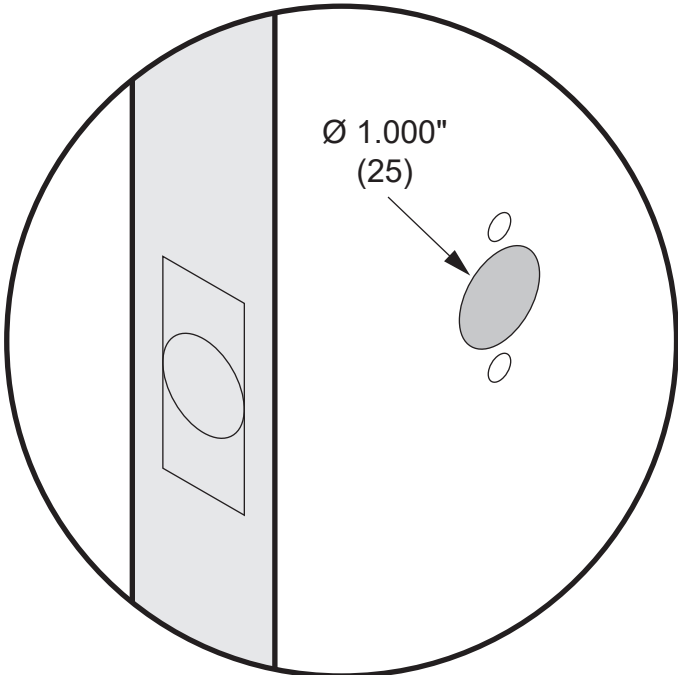
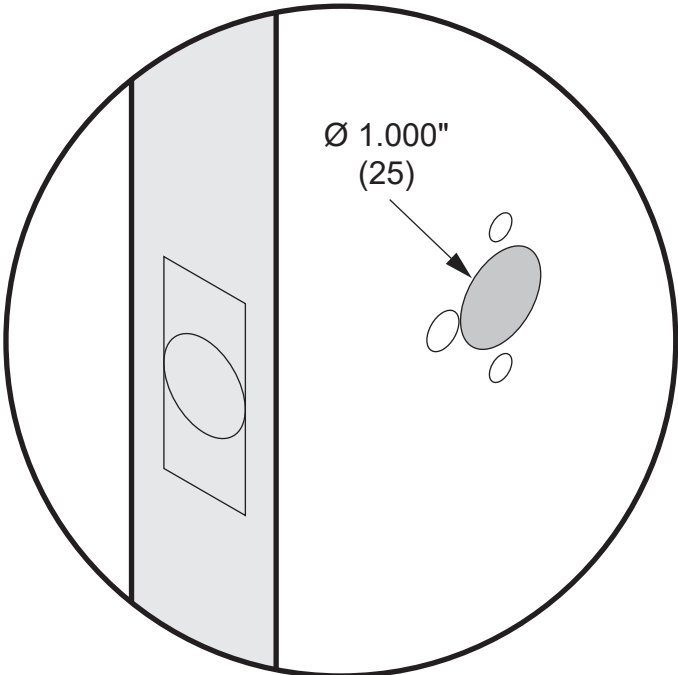


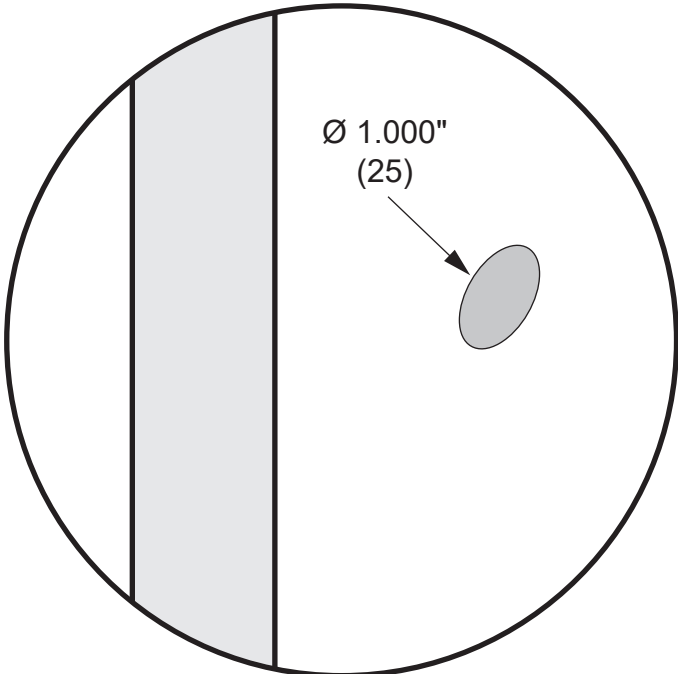
## Non-Standard Door Preparation for PT-Series Locks and Trims



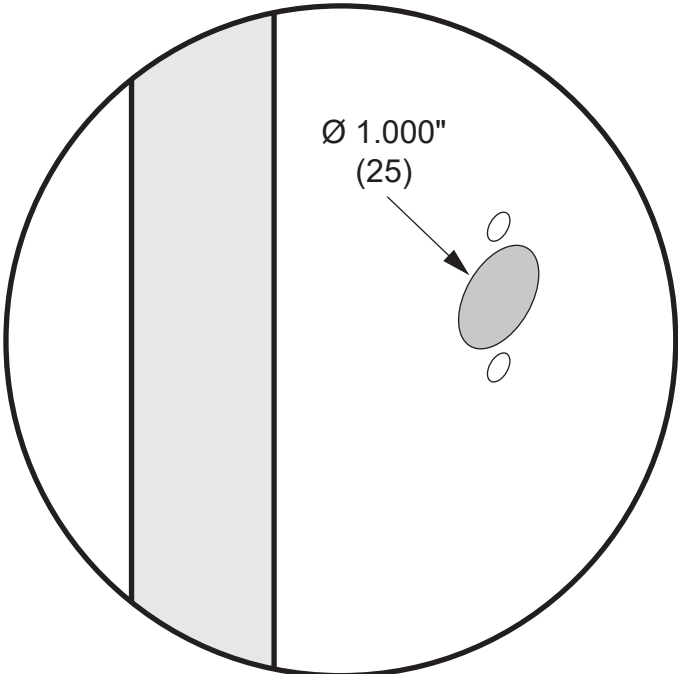
**Model PT10**  
PT-Series Tubular Passage



**Model PT40**  
PT-Series Tubular Privacy



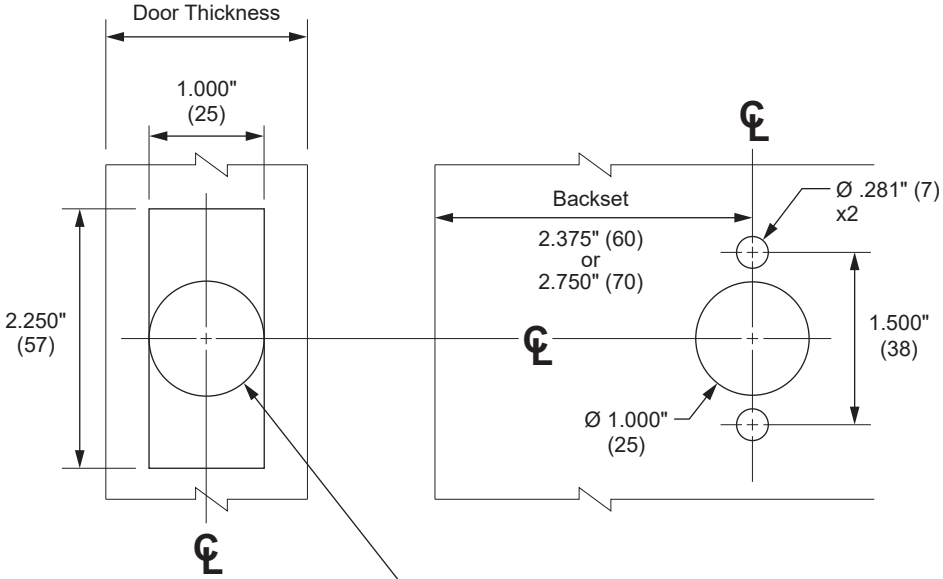
**Model PT170**  
PT-Series Single Dummy (one side)



**Model PT172**  
PT-Series Double Dummy (both sides)

## PT-Series Tubular Passage Model PT10; Rose

- Door Type:** Wood and Metal
- Door Thickness:** 1 3/8" (35 mm) to 1 7/8" (48 mm)
- Faceplate/Armor:** Square Corner, 1" x 2 1/4" (25 x 57 mm), 1" (25 mm) edge bore
- Backset:** 2 3/8" (60 mm) or 2 3/4" (70 mm)



	Diameter	Depth
2.375" (60) backset	1.000" (25)	3.500" (89)
2.750" (70) backset	1.000" (25)	4.000" (102)

Dimensions shown in parentheses ( ) are in millimeters.

**DRAWING IS NOT TO SCALE!**  
**Product support: 877-671-7011**

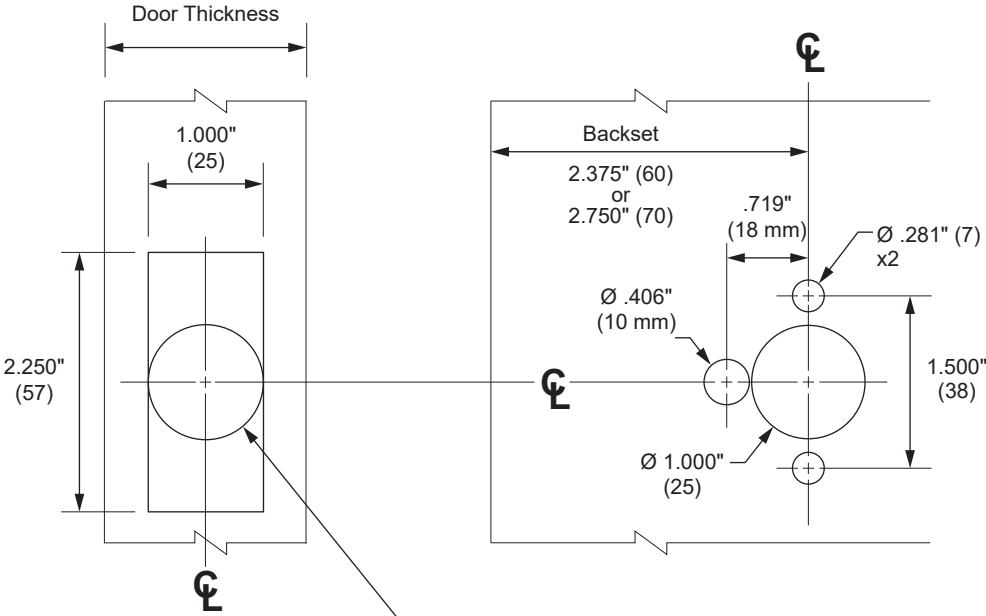
**We can help you find the correct template  
 for your product and application!**

Door preparation template

# P519-101

## PT-Series Tubular Privacy Model PT40; Rose

- Door Type:** Wood and Metal
- Door Thickness:** 1 3/8" (35 mm) to 1 7/8" (48 mm)
- Faceplate/Armor:** Square Corner, 1" x 2 1/4" (25 x 57 mm), 1" (25 mm) edge bore
- Backset:** 2 3/8" (60 mm) or 2 3/4" (70 mm)



	Diameter	Depth
2.375" (60) backset	1.000" (25)	3.500" (89)
2.750" (70) backset	1.000" (25)	4.000" (102)

Dimensions shown in parentheses ( ) are in millimeters.

**DRAWING IS NOT TO SCALE!**  
**Product support: 877-671-7011**

**We can help you find the correct template  
 for your product and application!**

Door preparation template

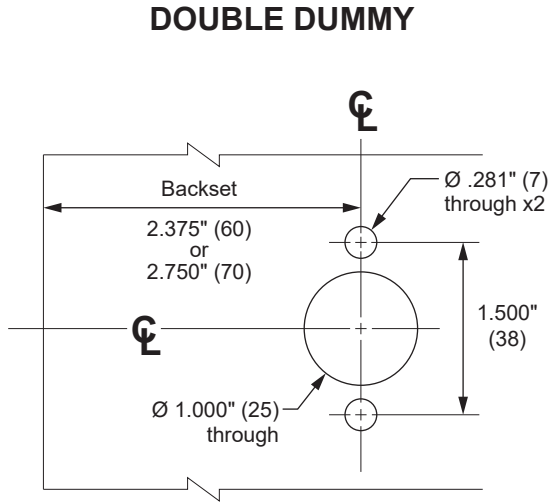
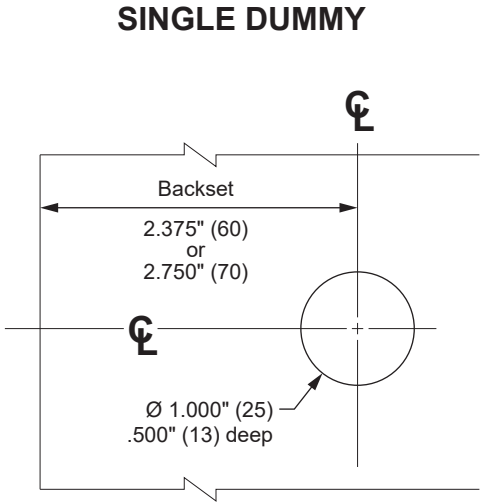
# P519-102

## PT-Series Dummy Trim

Model PT170 (single dummy); Rose  
Model PT172 (double dummy); Rose

**Door Type:** Wood and Metal  
**Door Thickness:** 1 3/8" (35 mm) to 1 7/8" (48 mm)  
**Backset:** 2 3/8" (60 mm) or 2 3/4" (70 mm)

**Single Dummy:** Dummy trim for one side of door. Used for door pull or as matching inactive trim.  
**Double Dummy:** Dummy trim for both sides of the door.



Dimensions shown in parentheses ( ) are in millimeters.



© 2020 Allegion  
P519-103\_a Rev. 2/20  
www.allegion.com/us

**DRAWING IS NOT TO SCALE!**  
**Product support: 877-671-7011**  
**We can help you find the correct template for your product and application!**

Door preparation template  
**P519-103**