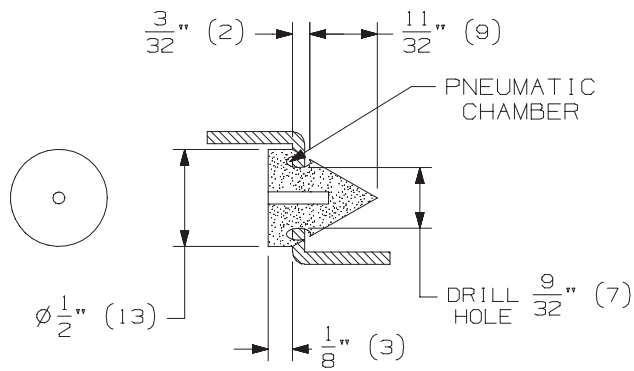


### SR64 DOOR SILENCER



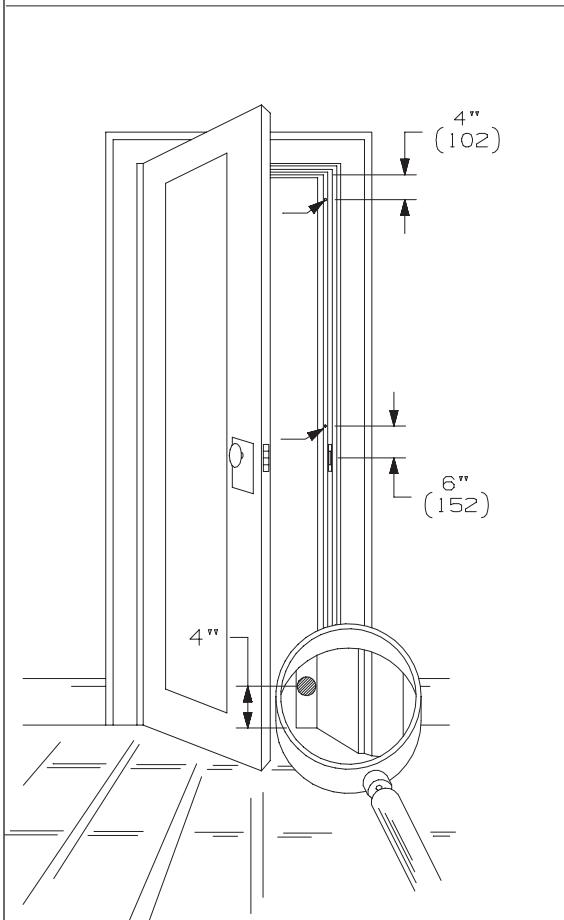
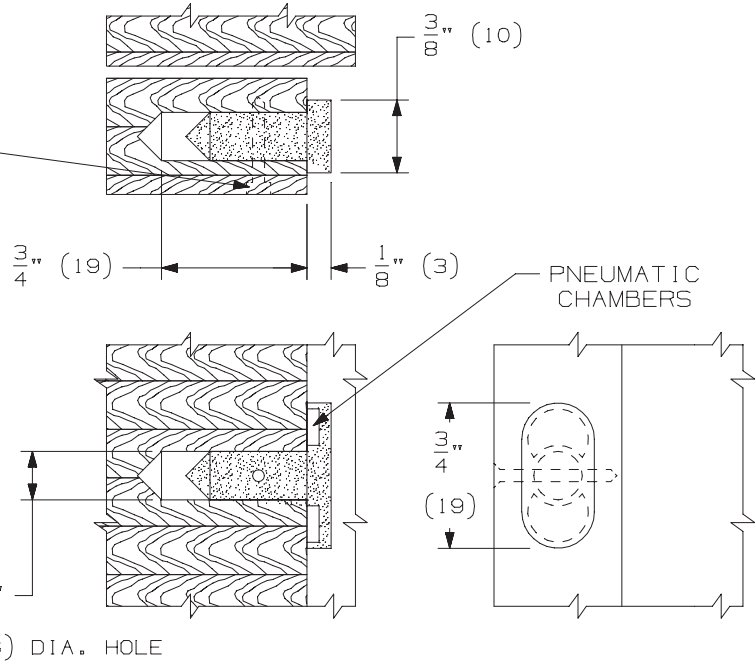
#### INSTRUCTIONS:

INSERT BLUNT END OF  $\frac{3}{32}$ " (2)  $\phi$  WIRE OR TOOL FURNISHED, INTO THE HOLE IN CENTER OF SILENCER. MOISTEN CONE PORTION AND INSERT INTO  $\frac{9}{32}$ " (7)  $\phi$  HOLE IN STOP STRIP OF FRAME. PUSH SLOWLY WITH A CIRCULAR MOTION SO AS TO ELONGATE CONICAL PORTION SUFFICIENTLY TO SET SILENCER IN PLACE.

### SR65 DOOR SILENCER

#### INSTRUCTIONS:

AFTER DRILLING HOLES IN STOP-STRIP, INSTALL DOOR SILENCERS IN POSITION SHOWN. TO ANCHOR SECURELY, DRIVE SMALL BRAD INTO STOP-STRIP AND THRU STEM OF SILENCERS, TO PREVENT REMOVAL.



#### LOCATION OF SILENCERS:

ON SINGLE DOOR FRAMES, INSTALL THREE SILENCERS IN VERTICAL STOP-STRIP AT LOCATIONS AS SHOWN ON DRAWING OPPOSITE.

ON PAIRS OF DOORS, INSTALL FOUR SILENCERS IN TOP STOP STRIP, TWO FOR EACH DOOR. THE FIRST 3" (76) FROM CENTER AND THE OTHER 2" (51) FROM THE FIRST TOWARDS THE HINGE SIDE.

#### NOTES:

1. ALLOW  $\frac{1}{16}$ " (2) CLEARANCE BETWEEN DOOR AND STOP STRIP.
2. ALLOW  $\frac{1}{8}$ " (3) CLEARANCE BETWEEN DOOR AND STOP STRIP WHEN EQUIPPED WITH DOOR CLOSERS.
3. AVOID GETTING PAINT OR VARNISH ON SILENCERS WHEN DOORS ARE BEING FINISHED.

**IVES**

SR64 & SR65 DOOR SILENCERS  
INSTALLATION TEMPLATE

**ALLEGION**

NOTE: DIMENSIONS IN ( ) ARE IN MILLIMETERS

TEMPLATE NUMBER: INST.SR(B)

Date: 07-13-20