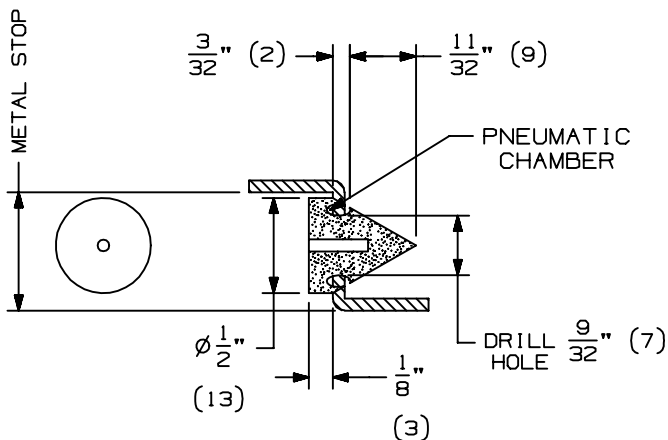


SI64 DOOR SILENCER

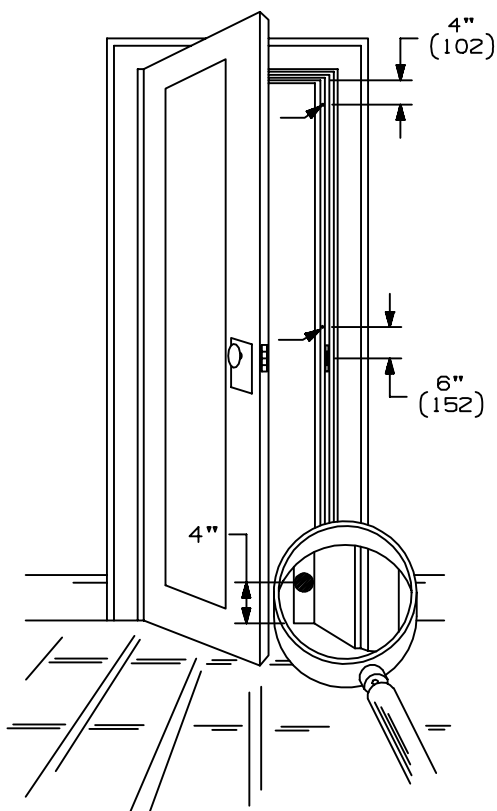
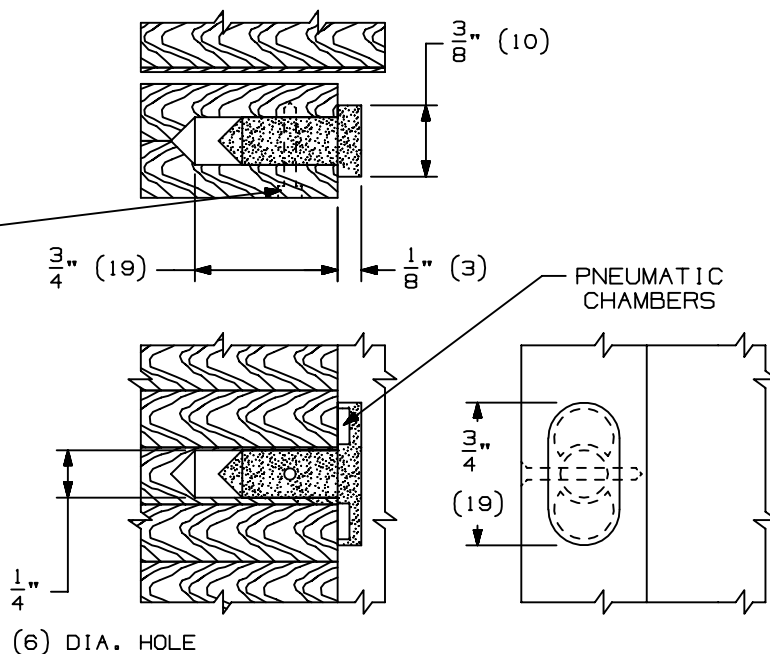


TO INSTALL: INSERT BLUNT END OF $\frac{3}{32}$ " (2) \varnothing WIRE OR TOOL FURNISHED, INTO THE HOLE IN CENTER OF SILENCER. MOISTEN CONE PORTION AND INSERT INTO $\frac{9}{32}$ " (7) \varnothing HOLE IN STOP STRIP OF FRAME.

PUSH SLOWLY WITH A CIRCULAR MOTION SO AS TO ELONGATE CONICAL PORTION SUFFICIENTLY TO SET SILENCER IN PLACE.

SI65 DOOR SILENCER

AFTER DRILLING HOLES IN STOP-STRIP, INSTALL DOOR SILENCERS IN POSITION SHOWN. TO ANCHOR SECURELY, DRIVE SMALL BRAD INTO STOP-STRIP AND THRU STEM OF SILENCERS, TO PREVENT REMOVAL.



INSTRUCTIONS:

ON SINGLE DOOR FRAMES, INSTALL THREE SILENCERS IN VERTICAL STOP-STRIP AT LOCATIONS AS SHOWN ON DRAWING OPPOSITE.

ON PAIRS OF DOORS, INSTALL FOUR SILENCERS IN TOP STOP STRIP, TWO FOR EACH DOOR. THE FIRST 3" (76) FROM CENTER AND THE OTHER 2" (51) FROM THE FIRST TOWARDS THE HINGE SIDE.

NOTES:

1. ALLOW $\frac{1}{16}$ " (2) CLEARANCE BETWEEN DOOR AND STOP STRIP.
2. ALLOW $\frac{1}{8}$ " (3) CLEARANCE BETWEEN DOOR AND STOP STRIP WHEN EQUIPPED WITH DOOR CLOSERS.
3. AVOID GETTING PAINT OR VARNISH ON SILENCERS WHEN DOORS ARE BEING FINISHED.

IVES

SI64 & SI65 DOOR SILENCERS
INSTALLATION TEMPLATE

IR Security & Safety®

NOTE: DIMENSIONS IN () ARE IN MILLIMETERS

TEMPLATE NUMBER: INST.SI (0)

DATE: 09/09/01