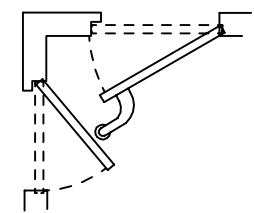
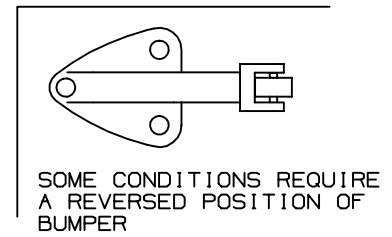
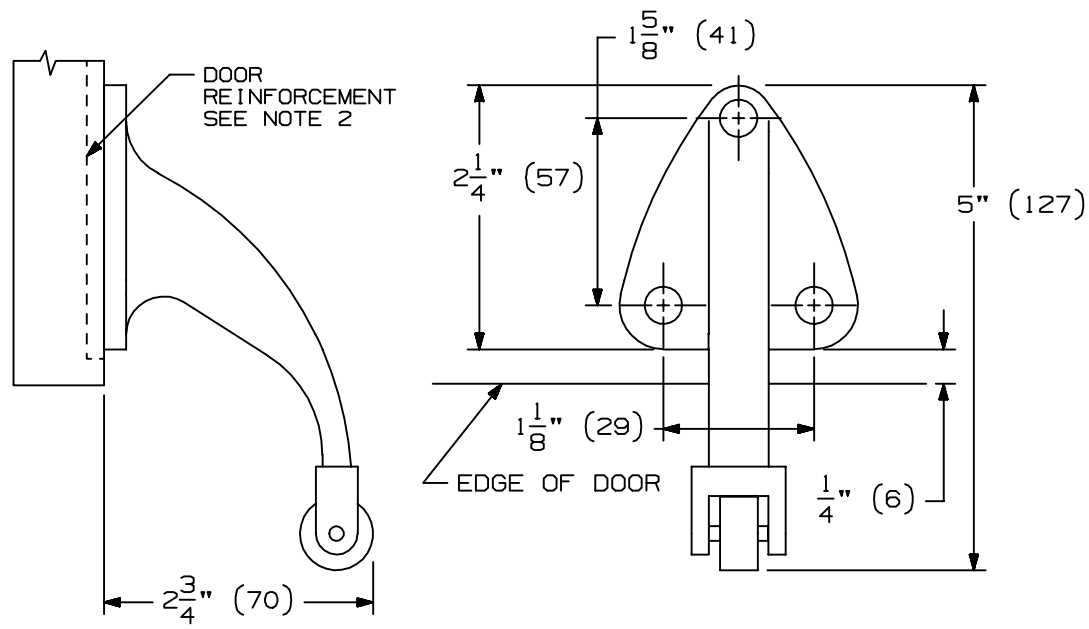


NOTES: DIMENSIONS IN () ARE IN MILLIMETERS.

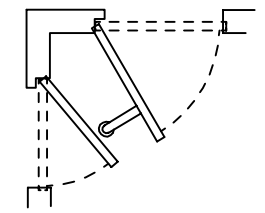
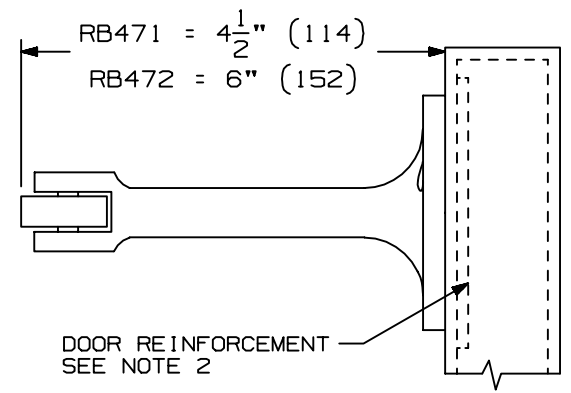
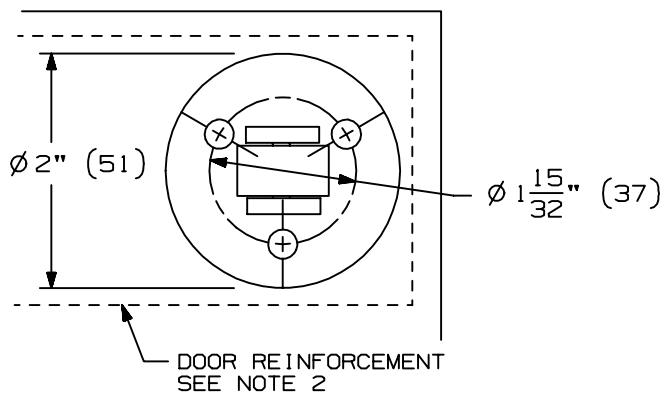
RB470, RB471 & RB472 ROLLER BUMPER INSTALLATION TEMPLATE

IVES

RB470 ROLLER BUMPER



RB471 & RB472 ROLLER BUMPER



TEMPLATE NUMBER: INST. RB_0

IR Security & Safety®

DATE: 08-21-01

INSTRUCTIONS:

1. PLACE ROLLER BUMPER AS ILLUSTRATED. THE VERTICAL LOCATION IS UP TO THE INSTALLER.
2. MARK THE SCREW HOLES. DRILL FOR #8 SCREWS
3. INSTALL ROLLER BUMPER.

NOTES:

1. WHEN TWO BUMPERS ARE REQUIRED, PLACE ONE HIGHER THAN THE OTHER TO PREVENT INTERLOCKING.
2. DOORS SHOULD BE PROPERLY REINFORCED WITH 3/16" (5) MINIMUM THICKNESS.

| QTY | SCREW DETAIL |
|-----|------------------|
| 3 | #8 X 3/4" FPHSMS |