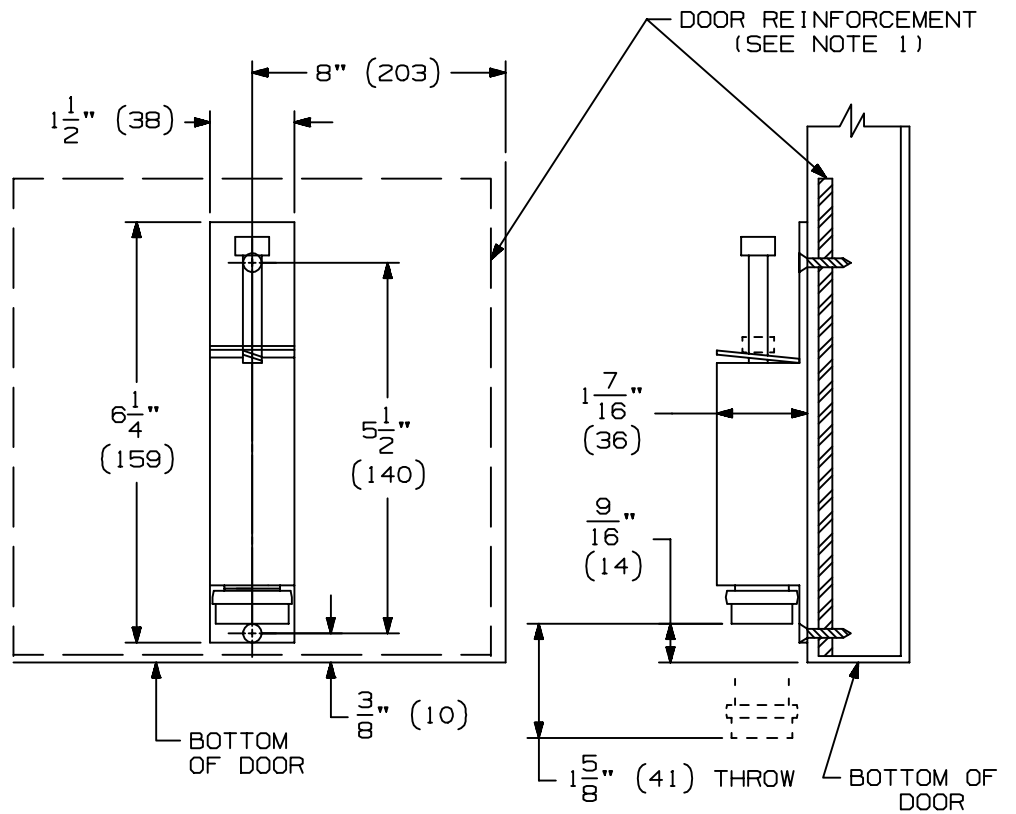


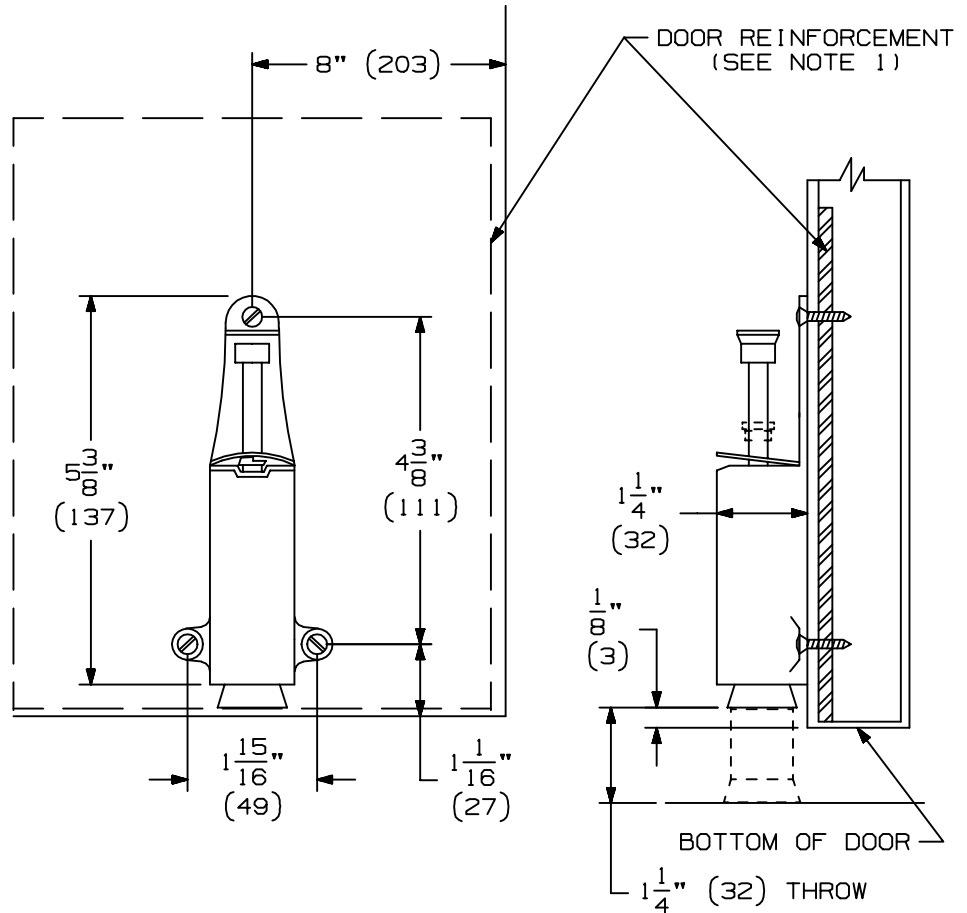
FS1153

QTY.	SCREW DETAILS
2	#8 X 1" FPHSMS



FS1154

QTY.	SCREW DETAILS
3	#10 X 3/4" OPHSMS



INSTRUCTIONS:

1. PLACE HOLDER IN POSITION AS SHOWN APPROXIMATELY 8" (203) FROM EDGE OF DOOR.
2. MARK SCREW LOCATIONS. DRILL FOR APPROPRIATE SCREWS AND INSTALL.

NOTES:

1. DOOR SHOULD BE PROPERLY REINFORCED WITH 3/16" (5) MINIMUM THICKNESS PLATE.



FS1153 & FS1154
PLUNGER DOOR HOLDERS
INSTALLATION TEMPLATE



NOTE: DIMENSIONS IN () ARE MILLIMETERS.

TEMPLATE NUMBER: INST.FS1153-1154_0

DATE: 09/01/01