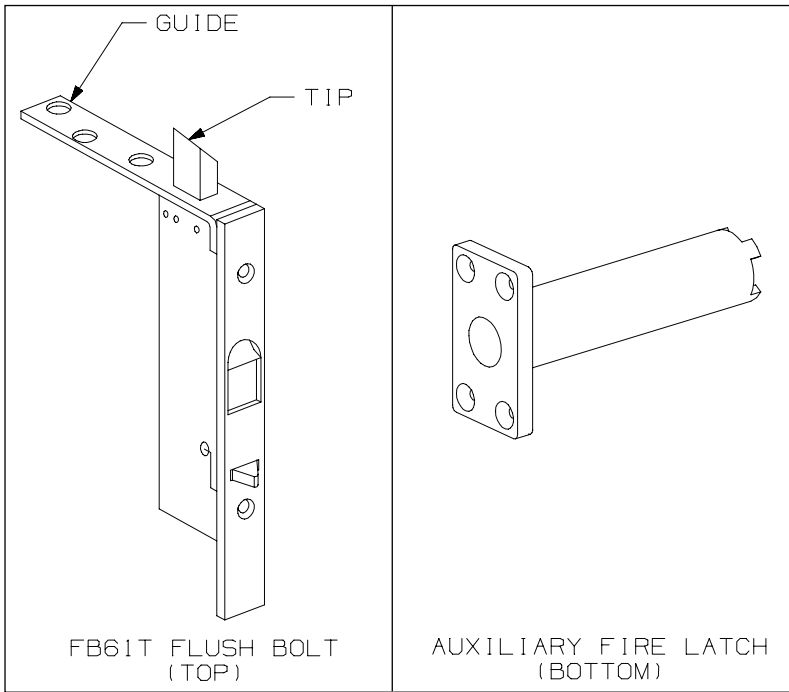




INST.FB62

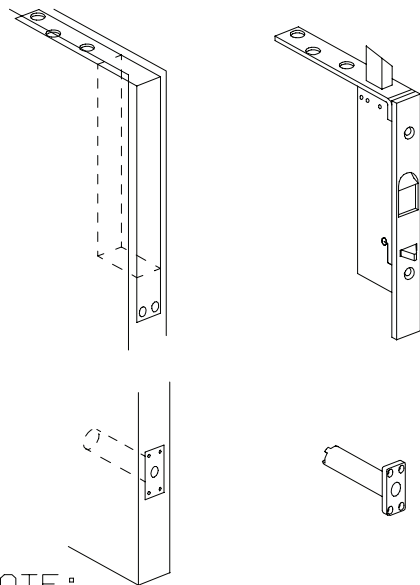
Constant Latching Flush Bolt with Auxiliary Fire Latch for Wood Doors

Installation Instructions



FB62 INSTALLATION INSTRUCTIONS:

1. MORTISE INACTIVE DOOR FOR FB61T (TOP) FLUSH BOLT.
2. FB61T FLUSH BOLT FITS DHI W-5 DOOR AND FRAME PREPARATION.
3. INSTALL FB61T (TOP) FLUSH BOLT IN EDGE OF DOOR. ADJUST TOP BOLT SO IT IS FLUSH WITH TOP OF DOOR WHEN RETRACTED AND BEVEL IS TOWARDS THE PUSH SIDE OF DOOR.
4. INSTALL STRIKE.
5. INSTALL RUB PLATE ON EDGE OF ACTIVE DOOR ON CAM CENTERLINES.
6. INSTALL FACE PLATE.
7. DRILL 4 HOLES WITH A #36 DRILL AND 1 7/8" HOLE ON INACTIVE DOOR FOR AUXILIARY FIRE LATCH (AS SHOWN ON PAGE 3).
8. DRILL 1" HOLE IN ACTIVE DOOR FOR AUXILIARY FIRE LATCH PLUG (AS SHOWN ON PAGE 3).
9. INSTALL AUXILIARY FIRE LATCH WITH 4 SCREWS.
10. INSTALL AUXILIARY FIRE LATCH STRIKE HOLE PLUG.



FIELD ADJUSTMENTS - VERTICAL ROD ADJUSTMENT:

TOP FLUSH BOLT:
REMOVE GUIDE, TURN BOLT CLOCKWISE OR COUNTERCLOCKWISE AS NECESSARY TO ADJUST, REPLACE GUIDE.

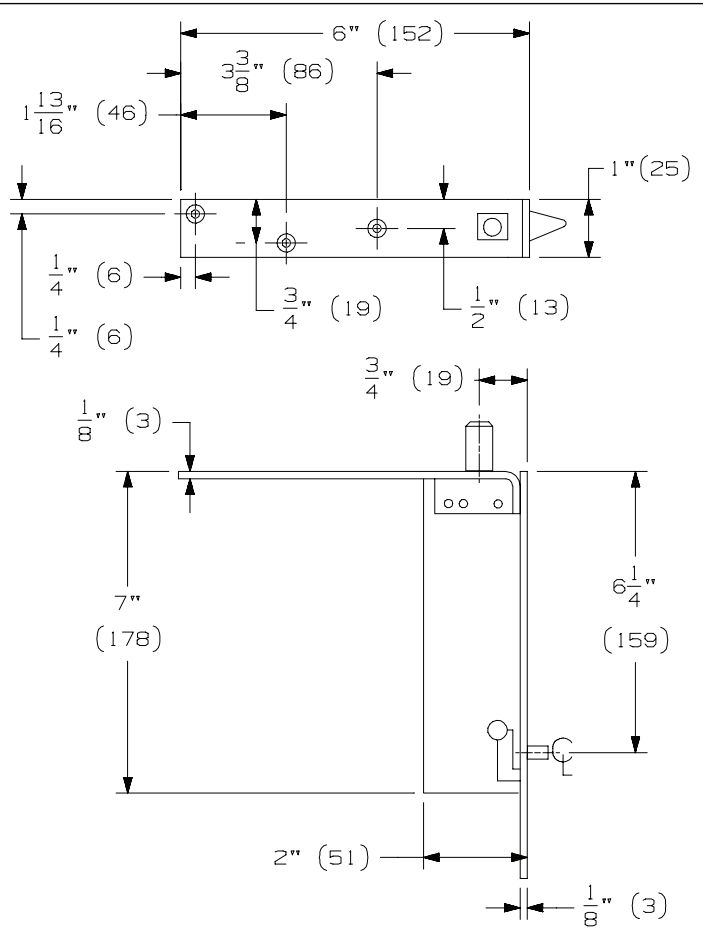
NOTE:

1. INSTALL COORDINATOR BEFORE CONSTANT LATCHING FLUSH BOLTS.
2. THE RECOMMENDED CLEARANCE BETWEEN DOORS IS 1/8" (3MM).
3. CERTIFIED PERSONNEL SHOULD PERFORM FIELD PREP FOR AUXILIARY LATCH.

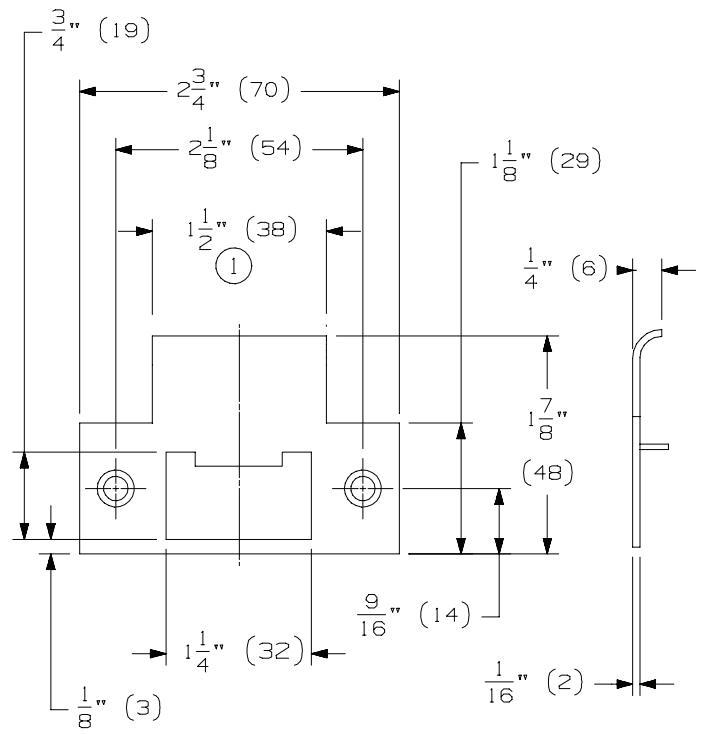
FB62 SCREW DETAIL

	QTY.	MACHINE SCREWS	SHEET METAL SCREWS
HOUSING	2	—————	#8 X 1" FPHSMS
FACEPLATE	2	6-32 X 3/8" UFPHMS	—————
TOP STRIKE	2	8-32 X 3/4" FPHMS	#8 X 3/4" FPHSMS W/PLASTIC EXP. SHIELD
RUB PLATE	2	—————	#6 X 3/4" FPHSMS
GUIDE	3	—————	#10 X 1" FPHSMS
AUXILIARY FIRE LATCH	4	—————	#6 X 3/4" FPHSMS

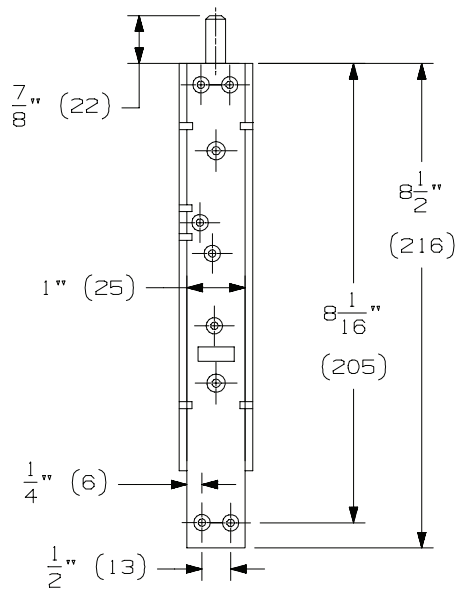
NOTE: DIMENSIONS IN () ARE IN MILLIMETERS



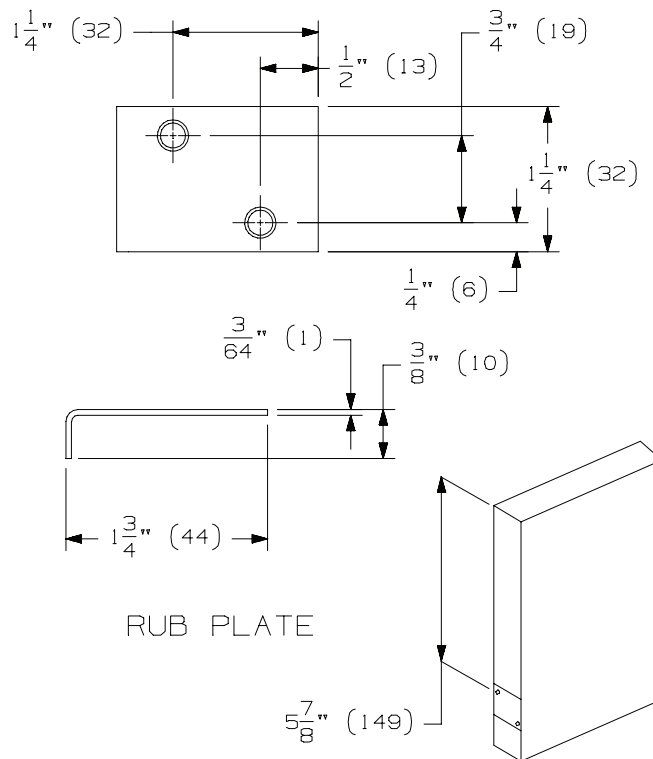
FB61T SIDE VIEW



TOP STRIKE



FB61T BASIC DIMENSIONS



RUB PLATE

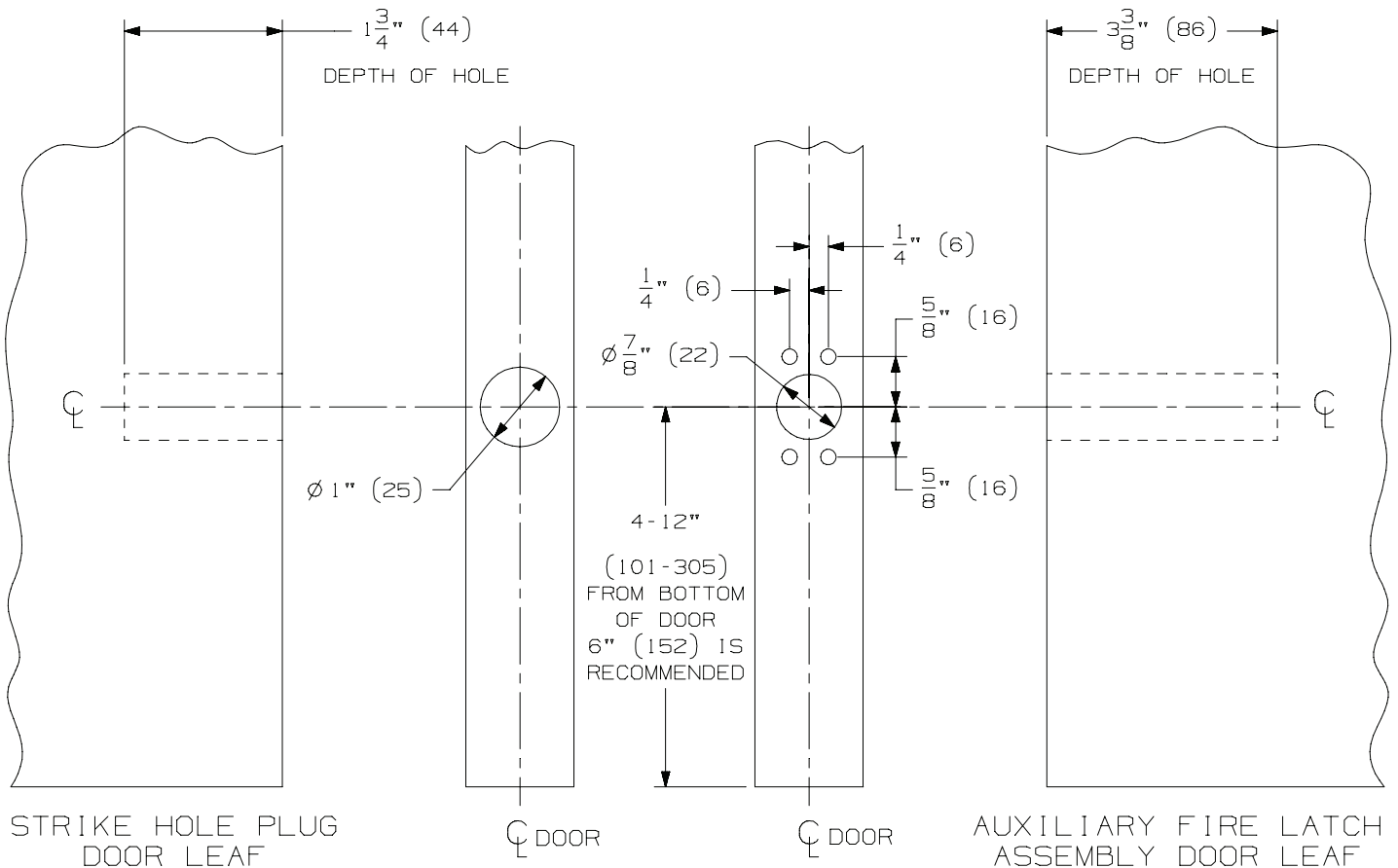
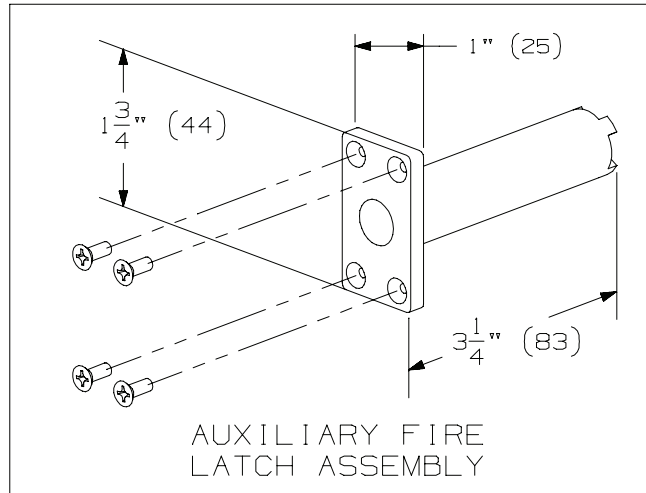
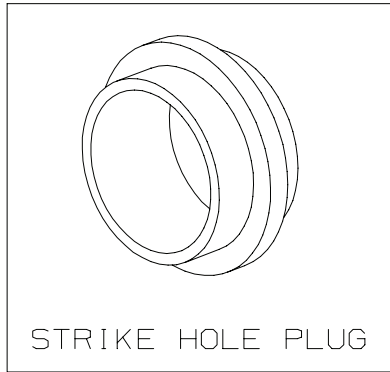
NOTE: DIMENSIONS IN () ARE IN MILLIMETERS

LBB FIRE LATCH FOR USE ONLY WITH IVES
 FB32, FB33, FB42, FB52, FB53 AND FB62 FLUSH BOLTS

NOTE:

IT DOES NOT MATTER WHICH DOOR LEAF THE AUXILIARY FIRE LATCH IS INSTALLED. HOWEVER, THE LATCH MUST BE INSTALLED TO MAINTAIN FIRE LISTING. THE PURPOSE OF THE AUXILIARY FIRE LATCH ASSEMBLY IS TO KEEP THE DOORS IN ALIGNMENT DURING A FIRE. IN A FIRE, THE BOLT EXTENDS FROM THE AUXILIARY FIRE LATCH INTO THE STRIKE HOLE IN THE OPPOSITE DOOR LEAF. THE BLACK CAP VISIBLE ON THE FACE OF THE LATCH MUST MELT IN ORDER FOR THE BOLT TO EXTEND, THEREFORE:

DO NOT COVER THE DOOR GAP AT THE AUXILIARY FIRE LATCH WITH A DOOR EDGE GUARD OR SIMILAR DEVICE.



NOTE: DIMENSIONS IN () ARE MILLIMETERS.