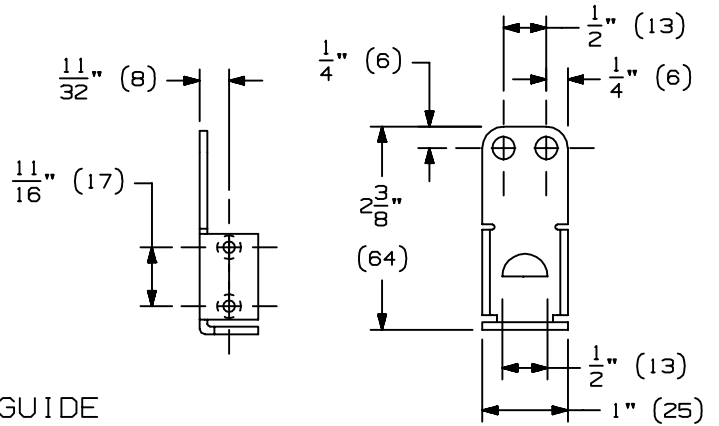
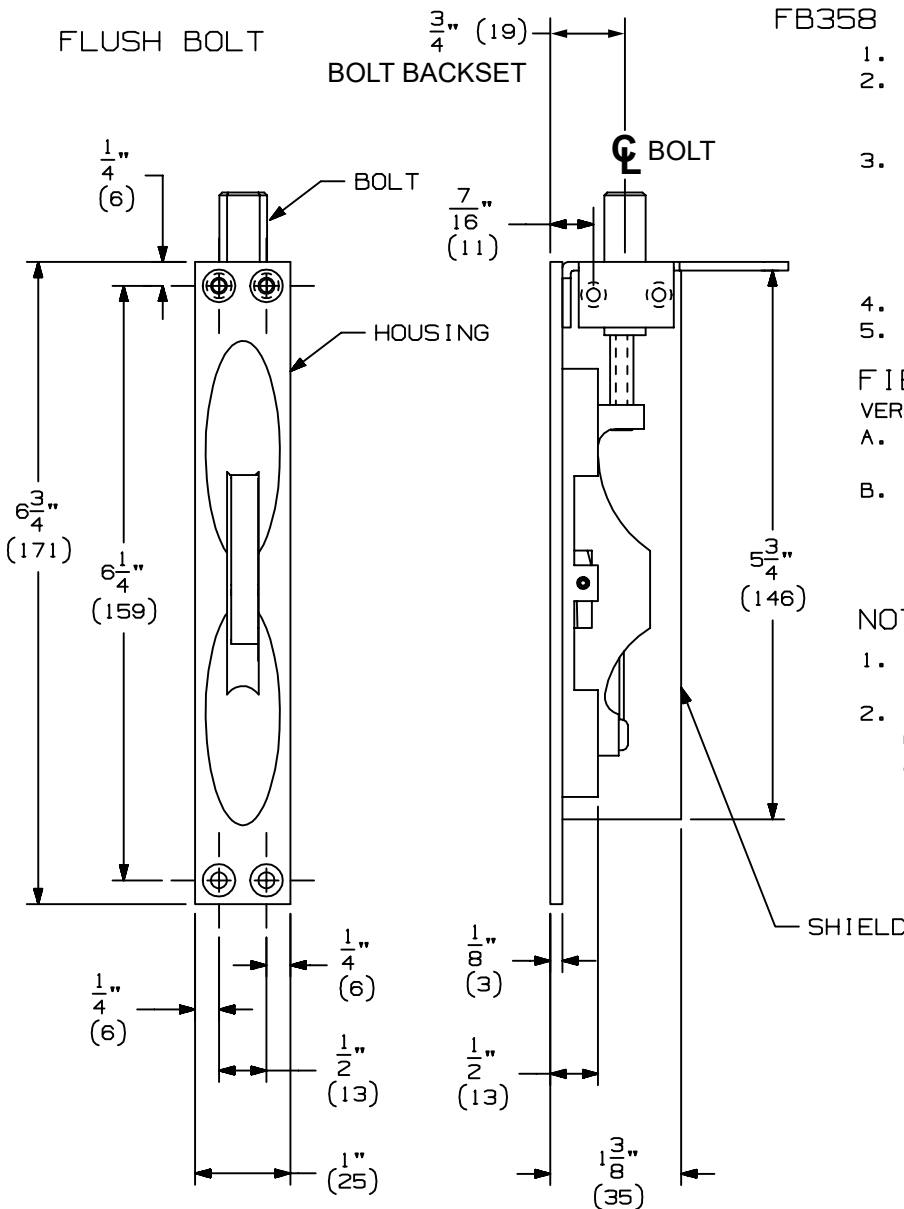


STRIKE



GUIDE



FB358 INSTALLATION INSTRUCTIONS:

1. MORTISE INACTIVE DOOR FOR FB358.
2. HANG INACTIVE DOOR, WITH DOOR OPEN. MEASURE MINIMUM CLEARANCE FROM DOOR TO FINISHED FLOOR.
3. REMOVE DOOR. INSTALL FB358 FLUSH BOLT. ADJUST TOP BOLT SO IT IS FLUSH WITH TOP OF DOOR. ADJUST BOTTOM BOLT TO PROJECT $\frac{1}{8}$ " (3) LESS THAN MINIMUM CLEARANCE.
4. INSTALL STRIKE.
5. HANG DOOR.

FIELD ADJUSTMENTS

VERTICAL ROD ADJUSTMENT

- A. TOP BOLT - REMOVE GUIDE, TURN BOLT AS NECESSARY TO ADJUST.
- B. BOTTOM BOLT - REMOVE DOOR FROM HINGES. REMOVE GUIDE. TURN BOLT AS NECESSARY TO ADJUST.

NOTES:

1. THE DOOR MUST HAVE AT LEAST $\frac{1}{4}$ " (6) UNDERCUT.
2. FOR ADDITIONAL INFORMATION ON OPTIONAL DUST PROOF STRIKES, SEE DP1 & DP2 TEMPLATES.

	QTY	SCREW DETAILS
HOUSING	2	#8 X 1" FPHSMS
GUIDE	2	#8 X 1" FPHSMS
STRIKE	2	#8 X $\frac{3}{4}$ " FPHSMS



FB358 MANUAL FLUSH BOLT
FOR WOOD DOORS
INSTALLATION TEMPLATE



NOTE: DIMENSIONS IN () ARE IN MILLIMETERS

TEMPLATE NUMBER: INST.FB358(B)

Date: 7-12-22