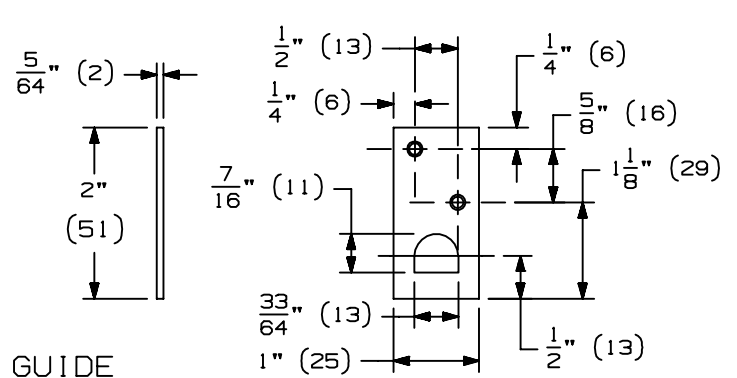
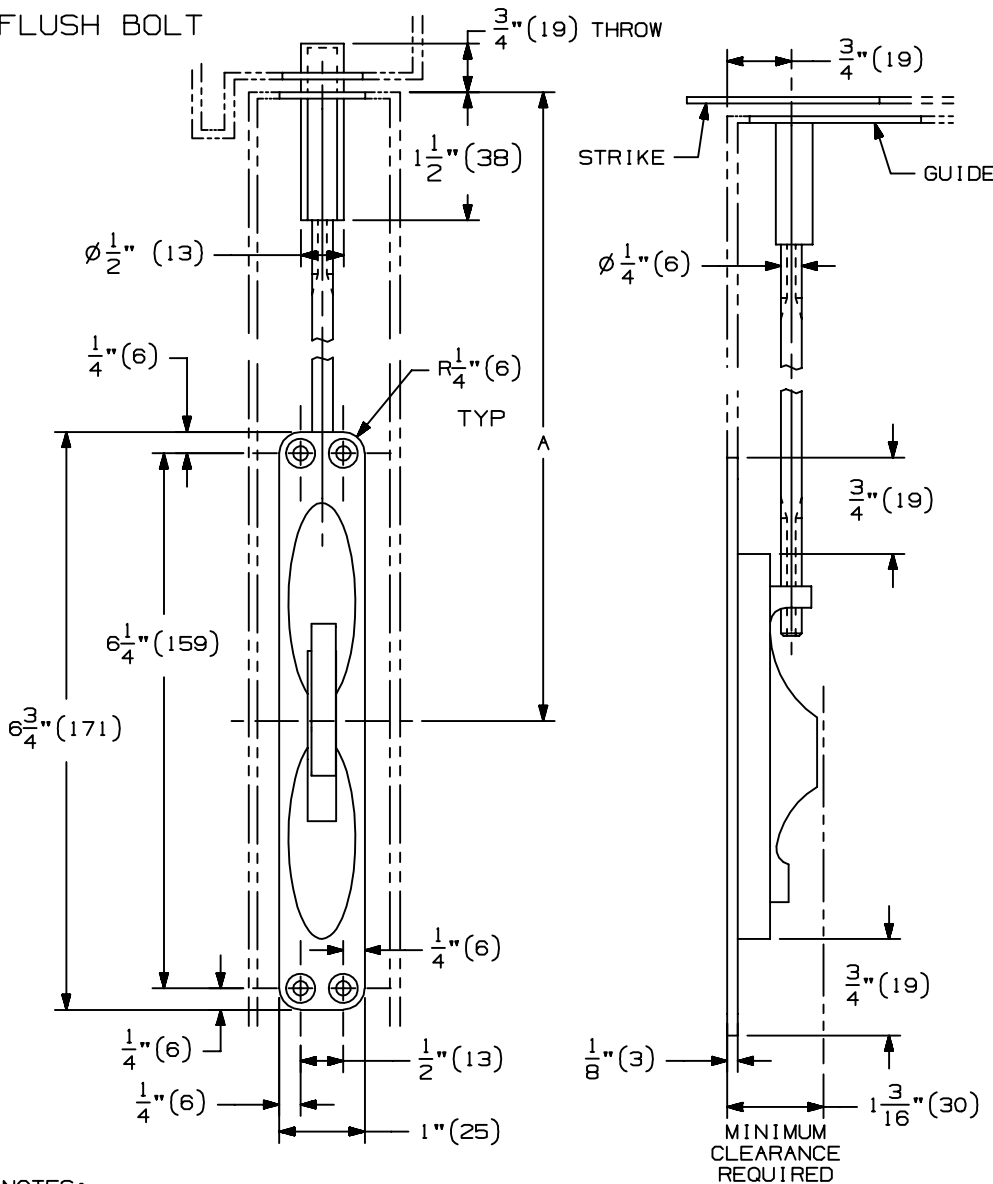


STRIKE



GUIDE

FLUSH BOLT



FB0458N INSTALLATION INSTRUCTIONS:

1. MORTISE INACTIVE DOOR FOR FB0458N.
2. HANG INACTIVE DOOR, WITH DOOR OPEN. MEASURE MINIMUM CLEARANCE FROM DOOR TO FINISHED FLOOR.
3. REMOVE DOOR. INSTALL FB0458N FLUSH BOLT. ADJUST TOP BOLT SO IT IS FLUSH WITH TOP OF DOOR. ADJUST BOTTOM BOLT TO PROJECT $\frac{1}{8}$ " (3) LESS THAN MINIMUM CLEARANCE.
4. INSTALL GUIDE.
5. INSTALL STRIKE.
6. HANG DOOR.

FIELD ADJUSTMENTS:

- VERTICAL ROD ADJUSTMENT
- A. TOP BOLT - REMOVE GUIDE, TURN BOLT AS NECESSARY TO ADJUST.
 - B. BOTTOM BOLT - REMOVE DOOR FROM HINGES. REMOVE GUIDE. TURN BOLT AS NECESSARY TO ADJUST.

NOTES:

1. A = 12" (305) IS STANDARD, OTHER SIZES ARE OPTIONAL.

A	6	9	18	24	30	36	48
	152	229	457	610	762	914	1219

2. THE DOOR MUST HAVE AT LEAST $\frac{1}{4}$ " (6) UNDERCUT.
3. FOR ADDITIONAL INFORMATION ON OPTIONAL DUST PROOF STRIKES, SEE DP1 & DP2 TEMPLATES.

	QTY	SCREW DETAILS
HOUSING	4	#8-32 X 1" FPH COMBO SCREW
GUIDE	2	#8-32 X 1" FPH COMBO SCREW
STRIKE	2	#8-32 X 1" FPH COMBO SCREW

IVES FB0458N MANUAL FLUSH BOLT FOR METAL DOORS INSTALLATION TEMPLATE



NOTE: DIMENSIONS IN () ARE MILLIMETERS.

TEMPLATE NUMBER: INST.FB0458N_0 DATE: 09-01-01