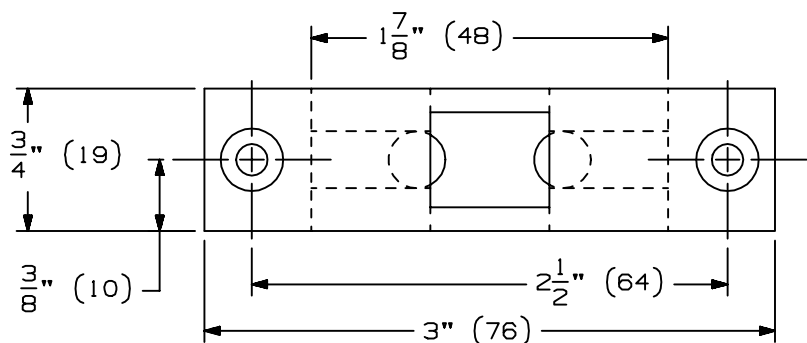
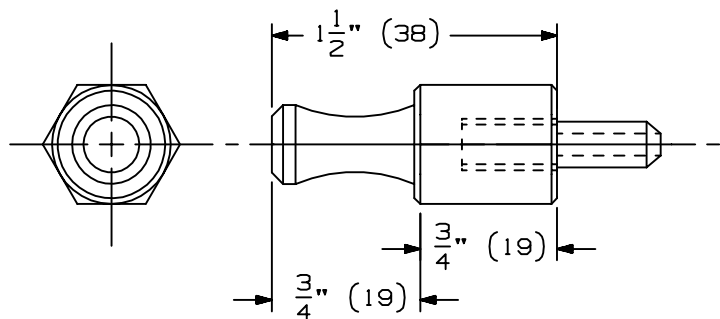


### CL21 & CL21A BALL LATCH

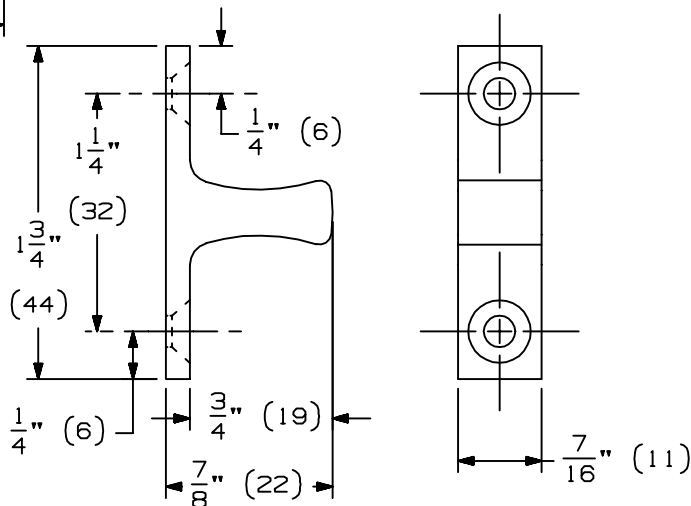
	QTY	SCREW DETAILS
BODY	2	#8 X 3/4" FPHSMS
CL21 HOOK	1	LAG SCREW
CL21A HOOK	2	#8 X 3/4" FPHSMS



CL21 OR CL21A BODY

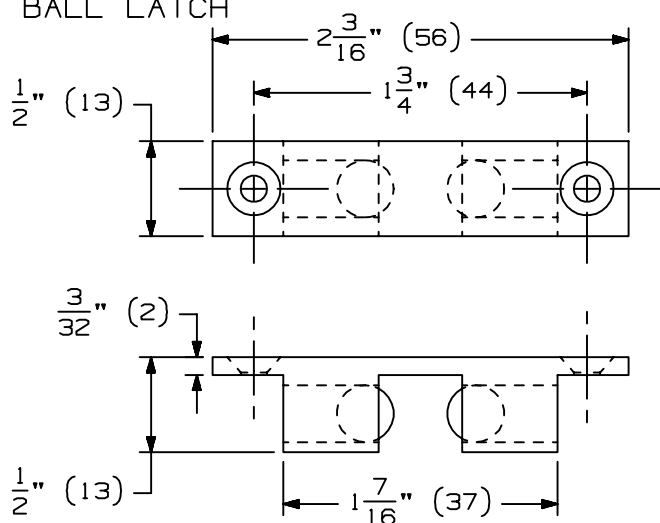


CL21 HOOK

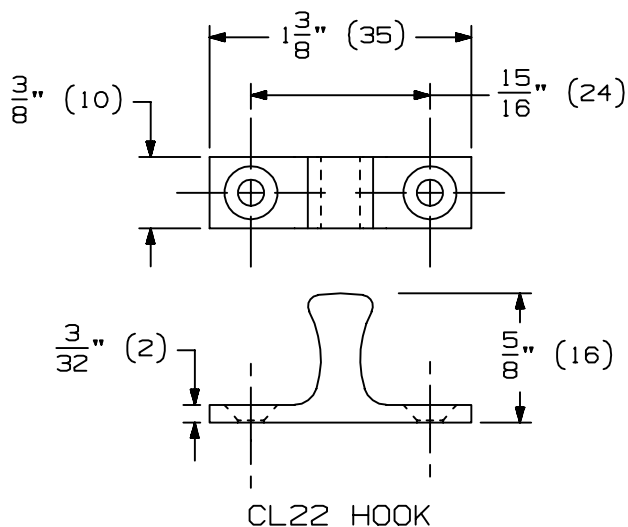


CL21A HOOK

### CL22 BALL LATCH



CL22 BODY



CL22 HOOK

	QTY	SCREW DETAILS
BODY	2	#6 X 3/4" RPHSMS
HOOK	2	#6 X 3/4" FPHSMS

#### INSTRUCTIONS:

1. INSTALL BODY. THE CL21 AND CL21A BODY CAN BE SURFACE APPLIED OR MORTISED. THE CL22 CAN ONLY BE SURFACE APPLIED.
2. INSTALL STRIKE. THE CL21 AND CL21A HOOK CAN ENTER THE BODY FROM ALL 4 SIDES. THE CL22 HOOK CAN ENTER FROM THE FRONT OR EITHER SIDE.
3. TENSION CAN BE ADJUSTED BY TURNING THE CAP SCREWS.



### CL21, CL21A & CL22 BALL LATCH INSTALLATION TEMPLATE



NOTE: DIMENSIONS IN ( ) ARE MILLIMETERS.

TEMPLATE INST. CL21-22\_0  
NUMBER:

DATE:  
09-01-01