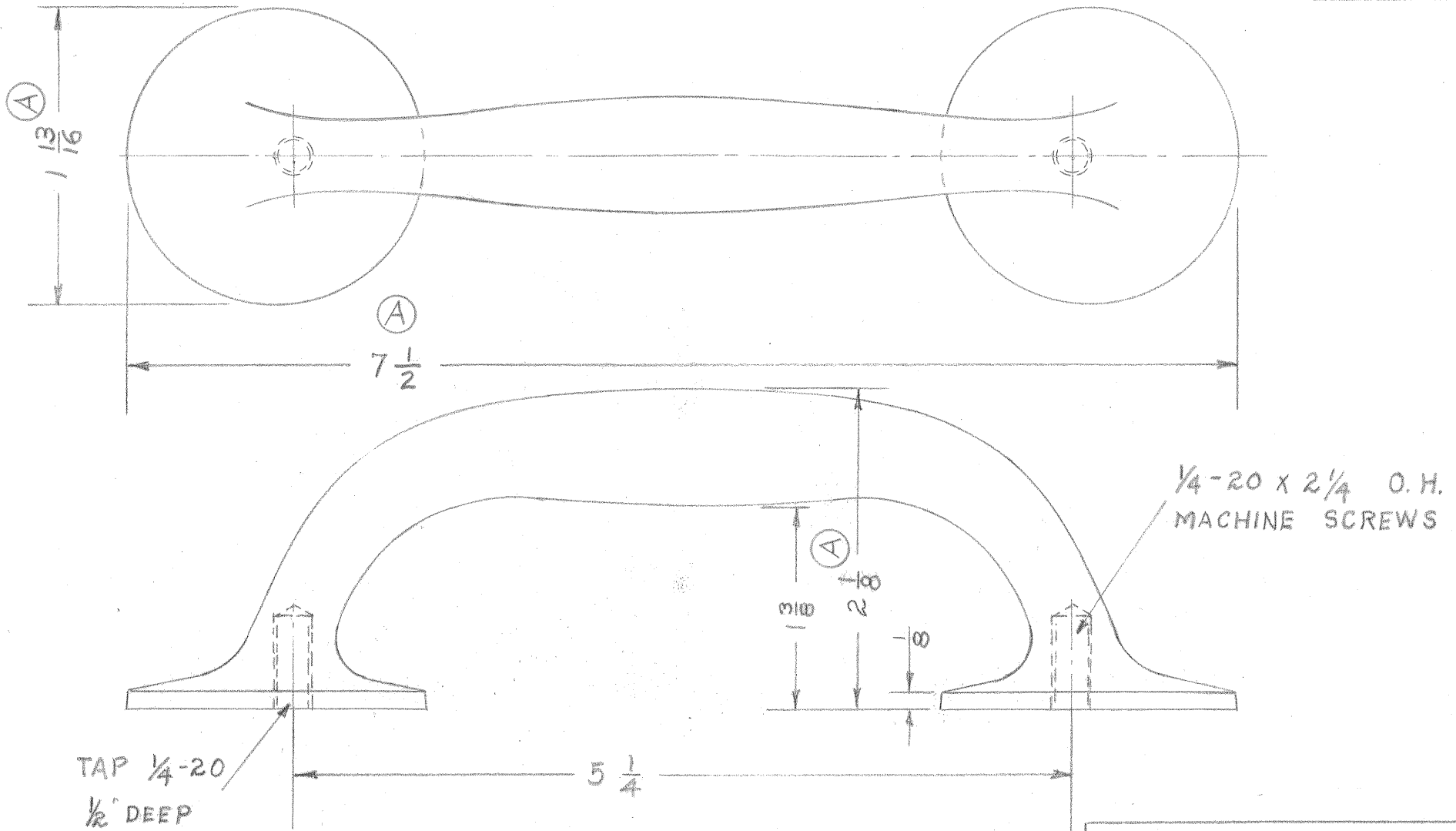


# TEMPLATE DRAWING

DWG. NO. 302A



FROM	TO
7 15/32	7 13/32
2 3/16	2 1/8
1 15/16	1 13/16

FULL SIZE F.C.B. 12-21-50

8113 DOOR PULL (WAS 177)		
LETTER	CHANGE	DATE
A	SEE BOX AT LEFT RCK.	6-19-62
B		
C		

**IVES DIVISION**  
**LEIGH PRODUCTS, INC.**  
 P. O. BOX 1887, NEW HAVEN, CONN. 06508