

NOTES:

1. INSTALLER MUST VERIFY THAT CENTERLINE OF TOP PIVOT POINT LINES UP WITH THE CENTERLINE OF BOTTOM PIVOT POINT.
2. BOTTOM PIVOT SET SHOULD BE MOUNTED FIRST IN MOST INSTALLATIONS.
3. RADIUS OF HEEL EDGE OF DOOR MUST NOT EXCEED PIVOT POINT TO JAMB DISTANCE. STANDARD 2" RADIUS IS SHOWN.
4. PIVOTS MFG. TO ACCEPT 1/4-20 X 3/4 FPHMS OR #14 X 1-1/2 FPHWS.
- \* 5. PIVOT CENTER MAY BE VARIED AS DESIRED. MINIMUM DISTANCE IS 1 3/4 AS SHOWN.
6. REINFORCING PER ANSI/SDI-100 RECOMMENDED FOR HOLLOW METAL DOORS & FRAMES.

**IVES**

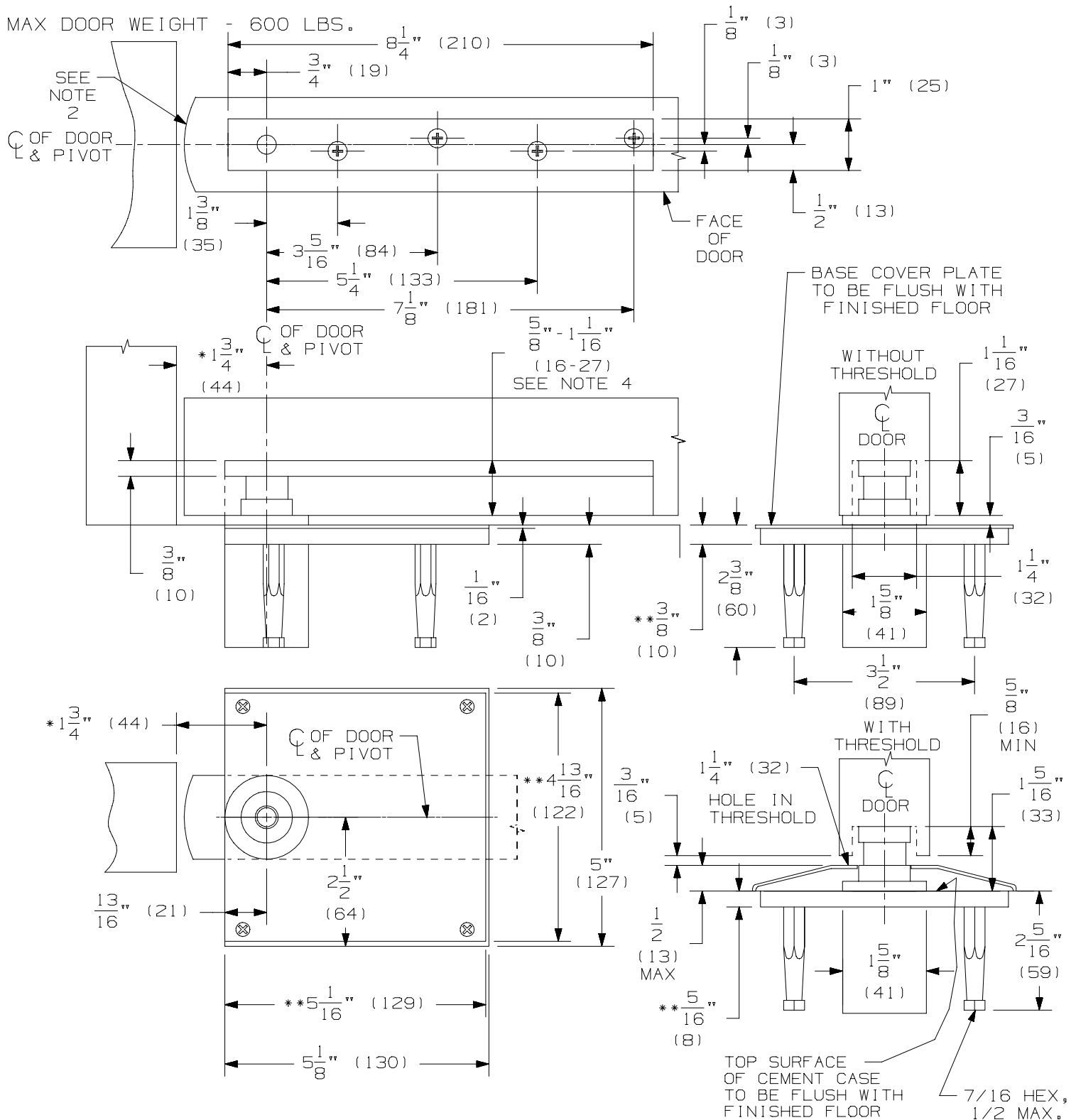
**7256 PIVOT SET  
7256 TOP PIVOT**



NOTE: DIMENSIONS IN ( ) ARE IN MILLIMETERS

TEMPLATE NUMBER: **INST.7256\_B PG1**

© 2014 Allegion  
Printed in U.S.A.  
INST\_7256 Rev. 12/14-b



NOTES:

1. INSTALLER MUST VERIFY THAT CENTERLINE OF TOP PIVOT POINT LINES UP WITH CENTERLINE OF THE BOTTOM PIVOT POINT.
2. RADIUS OF HEEL EDGE OF DOOR MUST NOT EXCEED PIVOT POINT TO JAMB DISTANCE. STANDARD 2" RADIUS IS SHOWN.
3. PIVOTS MFG. TO ACCEPT 1/4-20 X 3/4 FPHMS OR #14 X 1-1/2 FPHWS.
4. BOTTOM PIVOT WILL ACCOMMODATE 3/16" TO 3/4" DOOR CLEARANCE. DOOR MORTISE DEPTH DETERMINES CLEARANCE. 1/2" MAX THRESHOLD.
- \*5. PIVOT CENTER MAY BE VARIED AS DESIRED. MINIMUM DISTANCE IS 1 3/4" AS SHOWN.
6. REINFORCING PER ANSI/SDI-100 RECOMMENDED FOR HOLLOW METAL DOORS & FRAMES.
- \*\*7. DIMENSIONS FOR CEMENT CASE OUTPUT DEPTH IS 3/8" WITHOUT THRESHOLD. 5/16" WITH THRESHOLD

**IVES**  
7256 PIVOT SET  
7256 BOTTOM PIVOT



NOTE: DIMENSIONS IN ( ) ARE IN MILLIMETERS

TEMPLATE NUMBER: INST.7256\_B PG2

© 2015 Allegion  
INST\_7256 Rev. 01/15-b