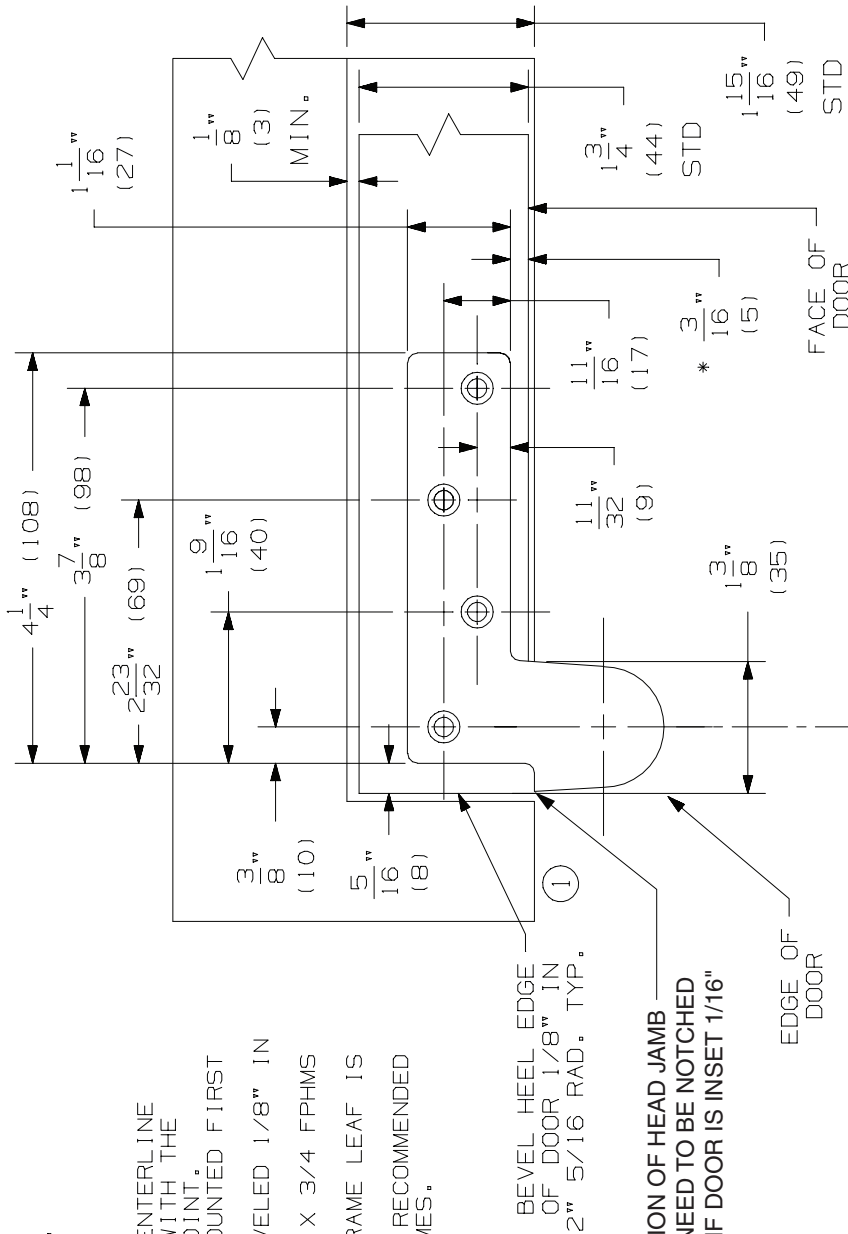


RIGHT HAND DOOR & PIVOT SHOWN.
LEFT HAND OPPOSITE.

NOTES:

1. INSTALLER MUST VERIFY THAT CENTERLINE OF THE PIVOT POINT LINES UP WITH THE CENTERLINE OF BOTTOM PIVOT POINT.
2. BOTTOM PIVOT SET SHOULD BE MOUNTED FIRST IN MOST INSTALLATIONS.
3. HEEL EDGE OF DOOR MUST BE BEVELED 1/8" IN 2" AS SHOWN.
4. PIVOTS MFG. TO ACCEPT 1/4-20 X 3/4 FPHMS OR #14 X 1-1/2 FPHWS.
5. TEMPLATING FOR DOOR LEAF & FRAME LEAF IS IDENTICAL.
6. REINFORCING PER ANSI/SDI-100 RECOMMENDED FOR HOLLOW METAL DOORS & FRAMES.

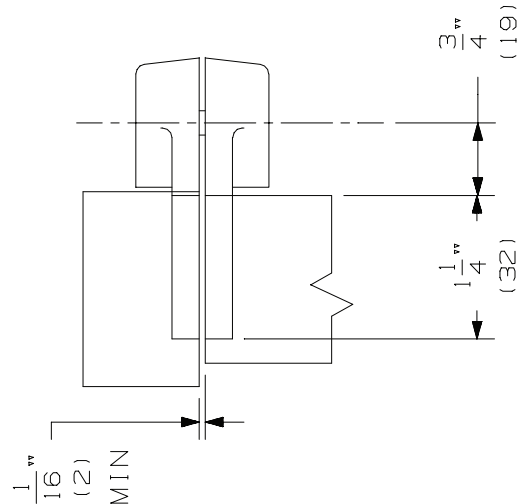


BEVEL HEEL EDGE OF DOOR 1/8" IN 2" 5/16 RAD. TYP.

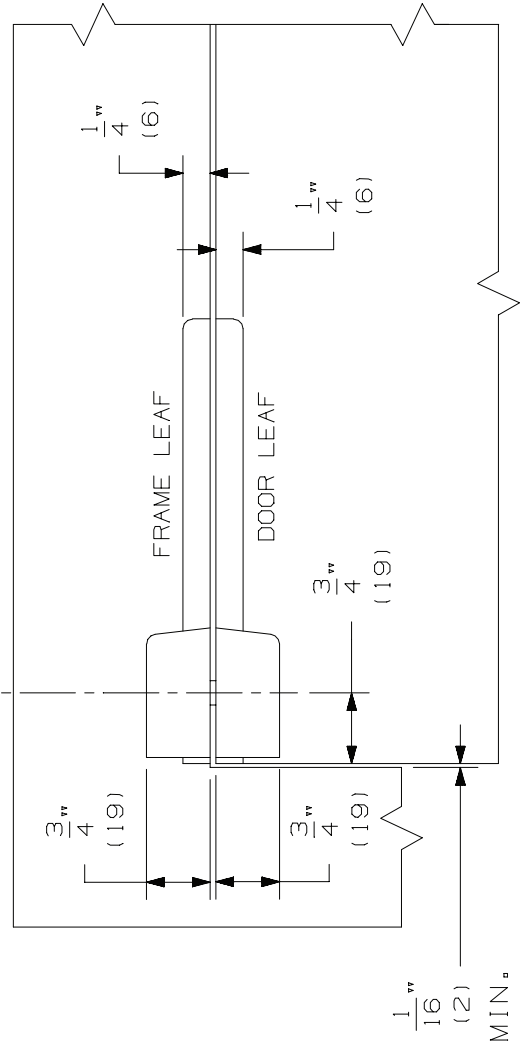
SECTION OF HEAD JAMB MAY NEED TO BE NOTCHED 1/16" IF DOOR IS INSET 1/16"

EDGE OF DOOR

FACE OF DOOR



* FRAME LEAF ALSO LOCATES FROM FACE OF DOOR (SEE NOTE 5).



IVES

7226 & 7226F PIVOT SET
7226 & 7226F TOP PIVOT



NOTE: DIMENSIONS IN () ARE IN MILLIMETERS

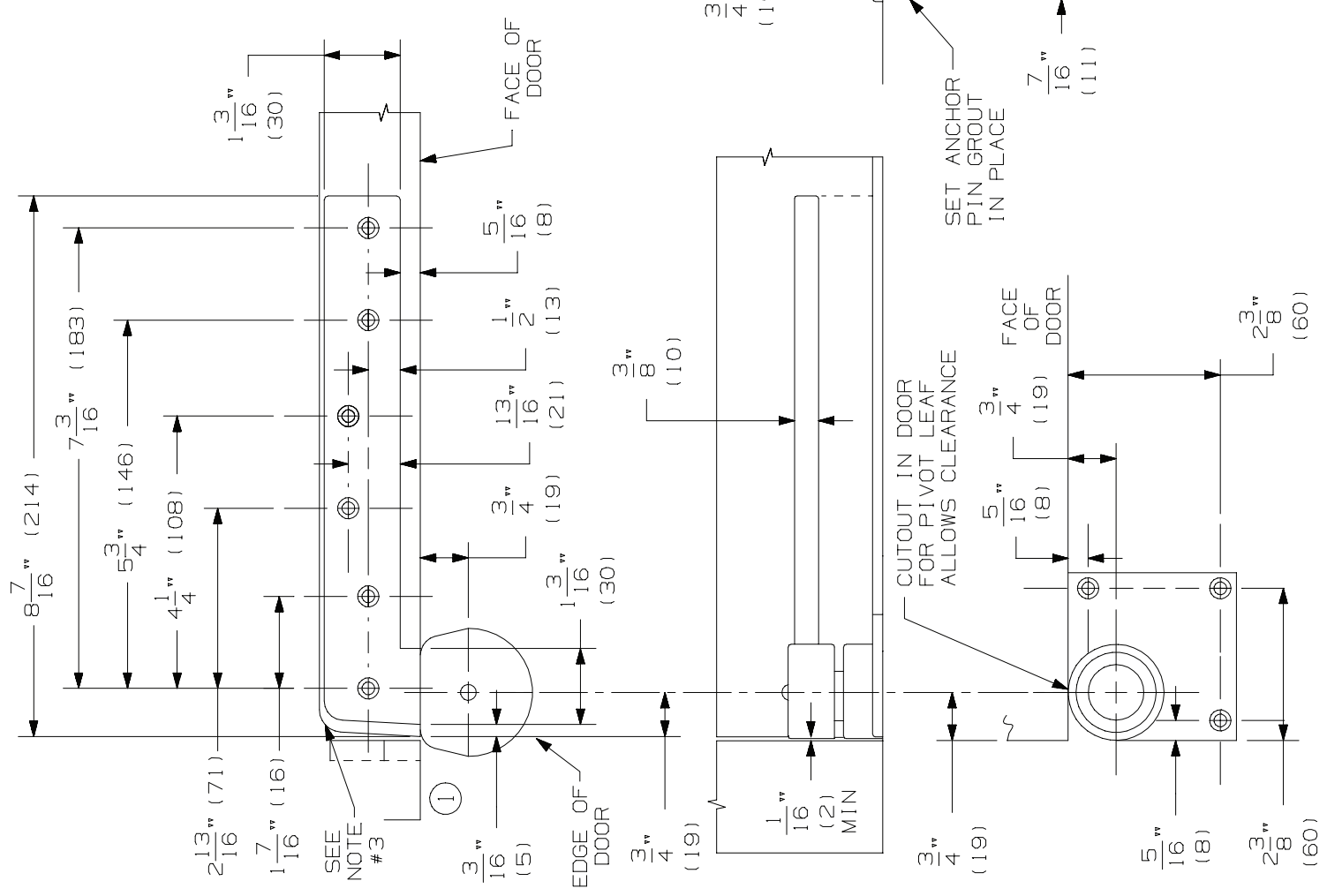
TEMPLATE NUMBER:

INST.7226_C PG1

MAX. DOOR WEIGHT - 600 LBS
 RIGHT HAND DOOR & PIVOT SHOWN.
 LEFT HAND OPPOSITE

NOTES:

1. INSTALLER MUST VERIFY THAT CENTERLINE OF THE TOP PIVOT POINT LINES UP WITH THE CENTERLINE OF THE BOTTOM PIVOT POINT.
2. BOTTOM PIVOT SET SHOULD BE MOUNTED FIRST IN MOST INSTALLATIONS.
3. HEEL EDGE OF DOOR MUST BE BEVELED 1/8" IN 2" AS SHOWN.
4. PIVOTS MFG. TO ACCEPT 1/4-20 X 3/4 FPHMS OR #14 X 1-1/2 FPHMS.
5. BOTTOM PIVOT HAS VERTICAL HEIGHT ADJUSTMENT AND WILL ACCOMMODATE 3/16" TO 3/4" DOOR CLEARANCE. DEPTH OF DOOR MORTISE DETERMINES CLEARANCE. 1/2" MAX. THRESHOLD.
6. REINFORCING PER ANSI/SDI-100 RECOMMENDED FOR HOLLOW METAL DOORS & FRAMES.



IVES 7226 & 7226F PIVOT SET
 7226 & 7226F BOTTOM PIVOT



NOTE: DIMENSIONS IN () ARE IN MILLIMETERS

TEMPLATE NUMBER: INST.7226_C PG2

© 2015 Allegion
 INST_7226 Rev. 01/15-c