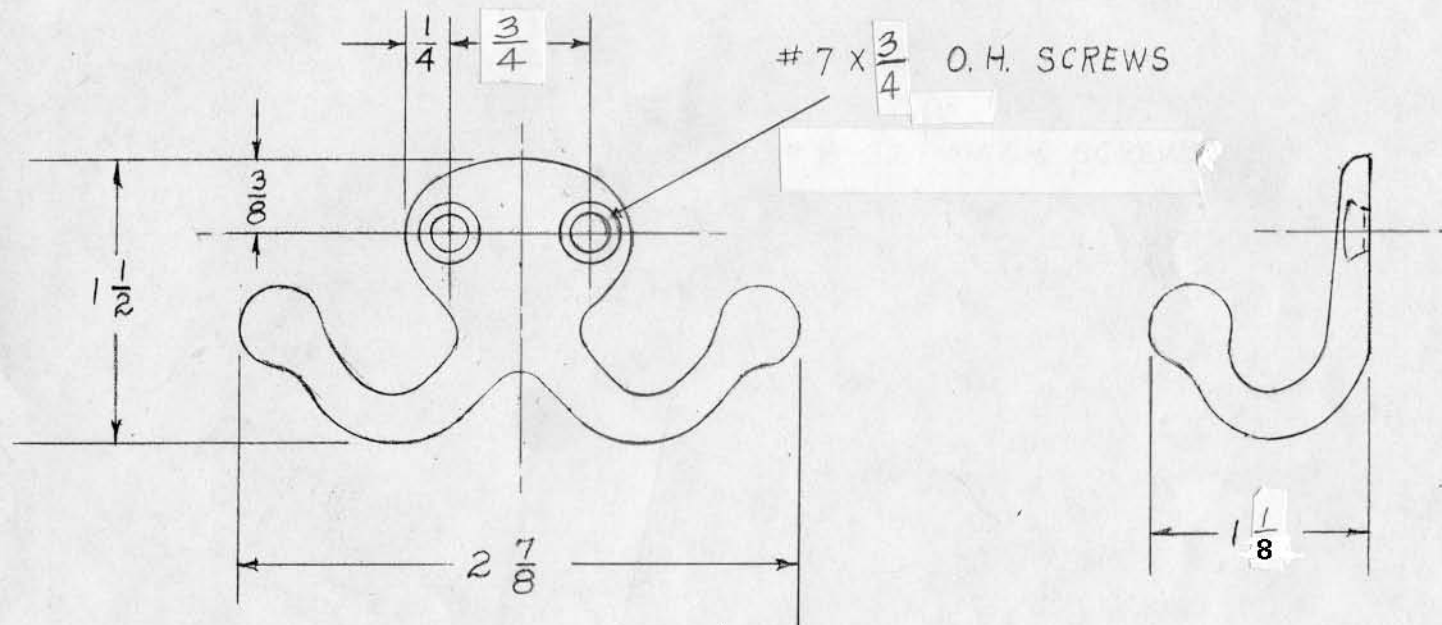


TEMPLATE DRAWING

DWG-HB-582A-112

DWG # 2322 B
 Rev B , new drawing #
 11/1/00



582 A WARDROBE HOOK

LETTER	CHANGE	DATE
A		
B	1/8 WAS 1/32	11/1/00
C		

FJH 8-19-92 FULL SIZE

IVES DIVISION
 LEIGH PRODUCTS, INC.
 P. O. BOX 1887, NEW HAVEN, CONN. 06508