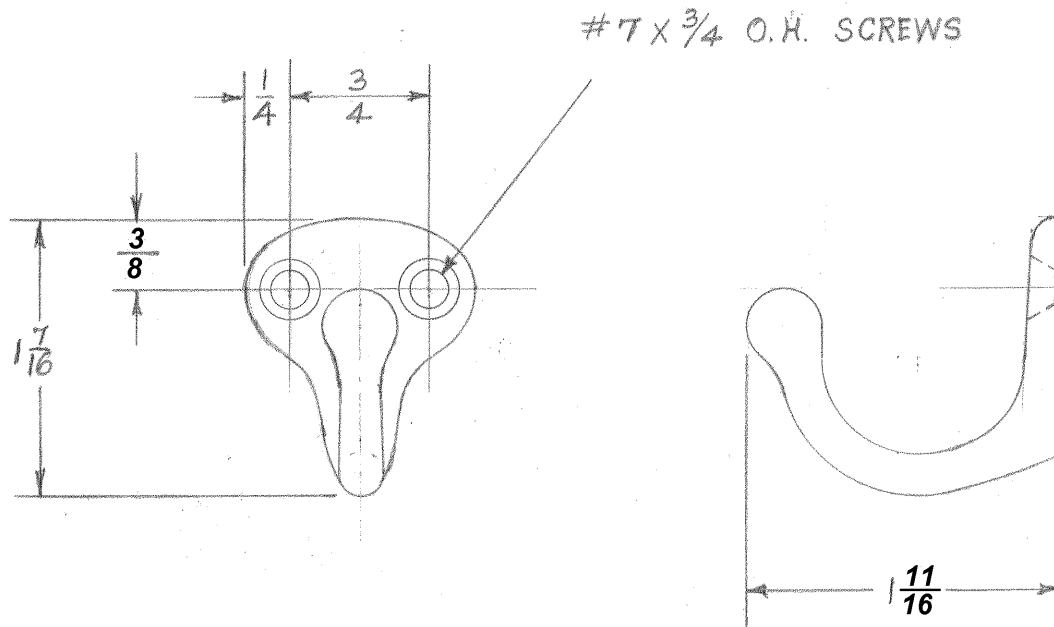


# TEMPLATE DRAWING

DWG. NO. 300A



581B WARDROBE HOOK

LETTER	CHANGE	DATE
A	3/8 WAS 11/32, 1 11/16 WAS 1 5/8	3/19/03
B		
C		

F.C.B. 12-8-50 FULL SIZE

IVES DIVISION  
LEIGH PRODUCTS, INC.  
P. O. BOX 1887, NEW HAVEN, CONN. 06508