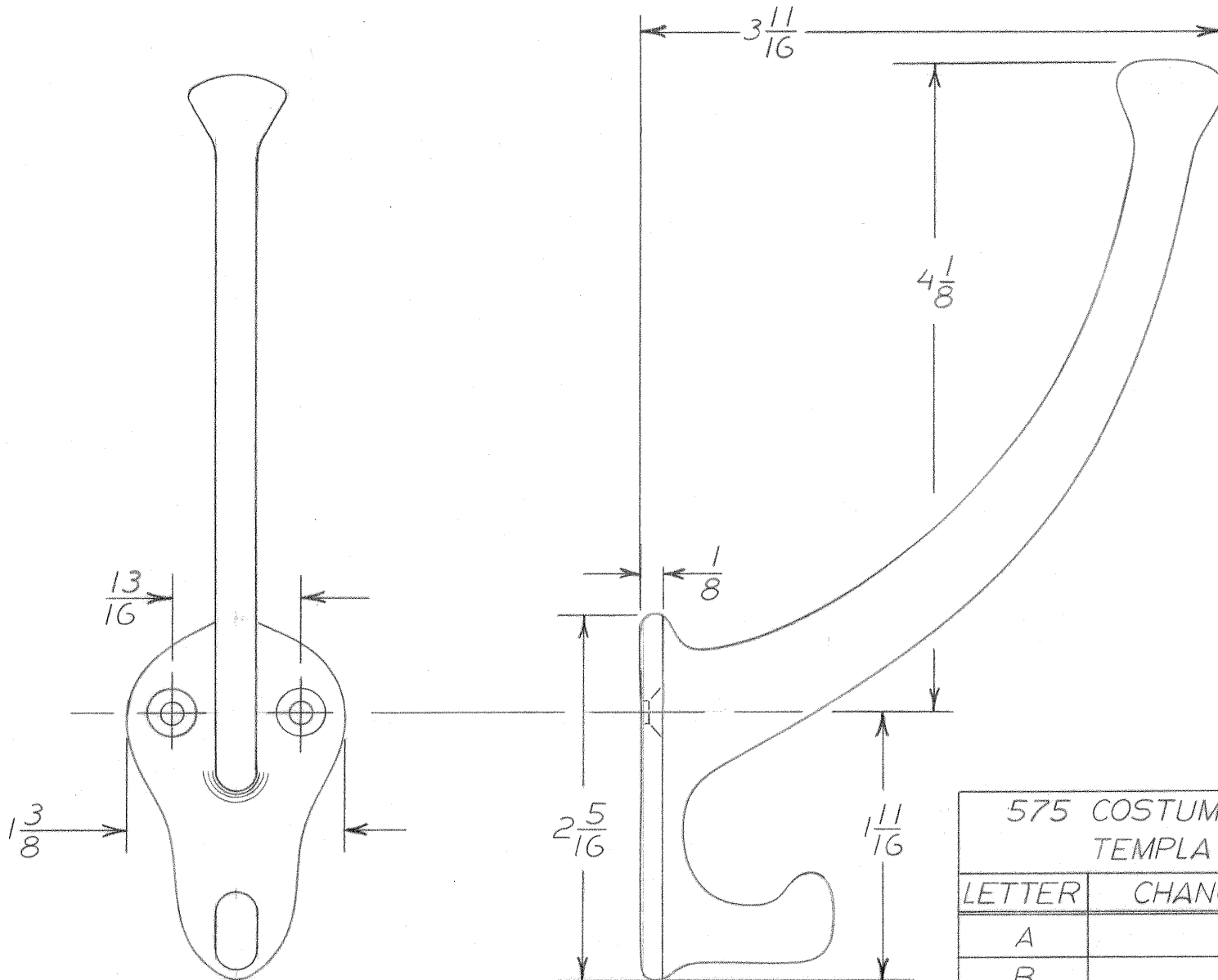


TEMPLATE DRAWING

DWG. NO. 562



USE [2] $\frac{3}{4}$ X 7 O.H. WOOD SCREWS
OR NO. 6 O.H. MACH. SCREWS

575 COSTUMER HOOK TEMPLATE		
LETTER	CHANGE	DATE
A		
B		
C		
R.C.K. 1-8-63 SCALE 1:1		

IVES DIVISION
LEIGH PRODUCTS, INC.
P. O. BOX 1887, NEW HAVEN, CONN. 06508