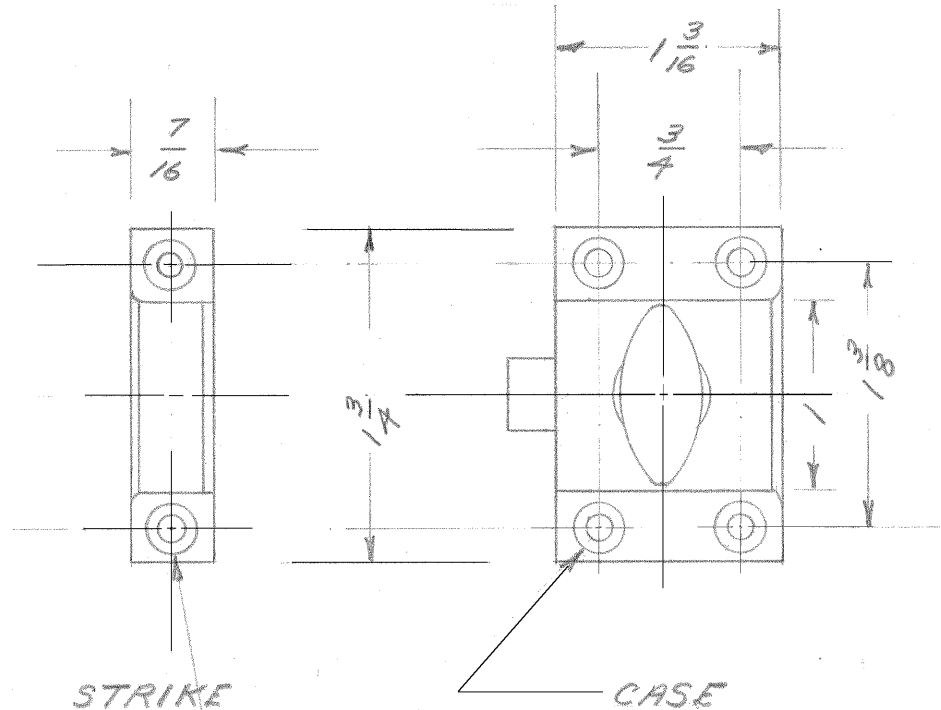


TEMPLATE DRAWING

DWG. NO. - 282



USE $\frac{5}{8}$ x 5 F.H. WOOD SCREWS
OR #6-32 F.H. MACH. SCREWS

540 CASE & STRIKE		
LETTER	CHANGE	DATE
E.A.M 7-6-50 SCALE-FULL		

IVES DIVISION
LEIGH PRODUCTS, INC.
P. O. BOX 1887, NEW HAVEN, CONN. 06508