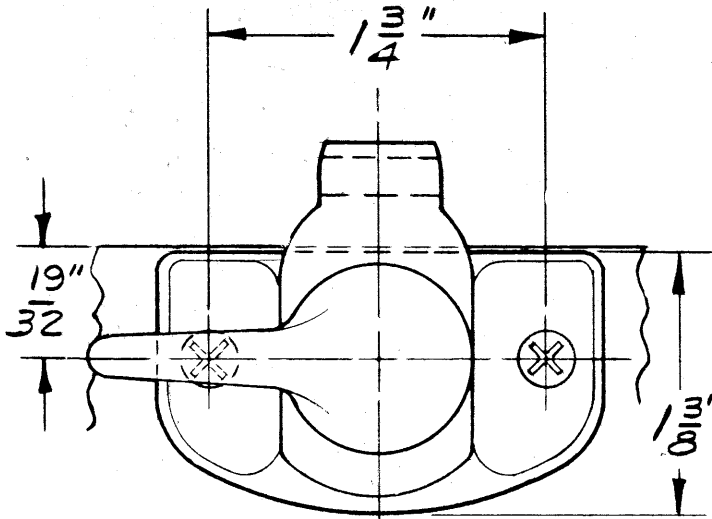
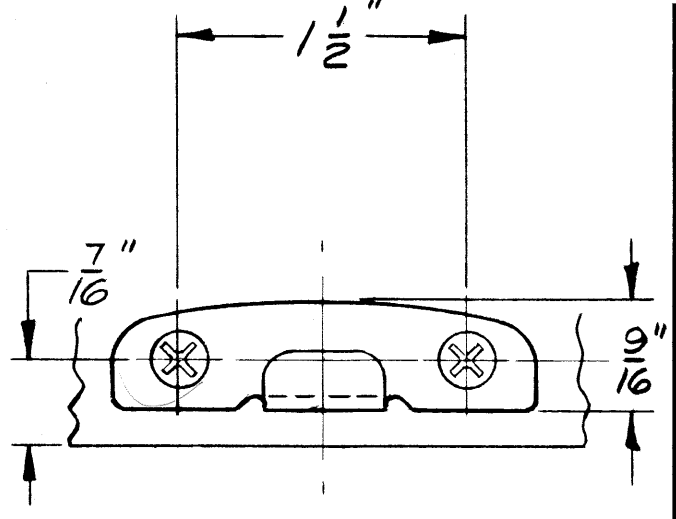


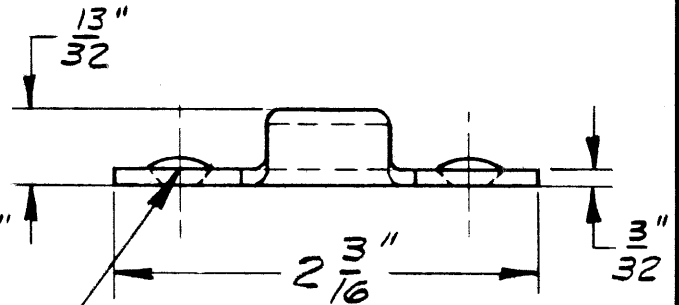
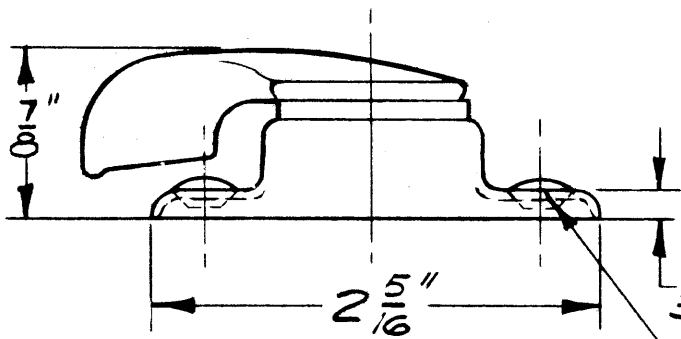
# TEMPLATE DRAWING



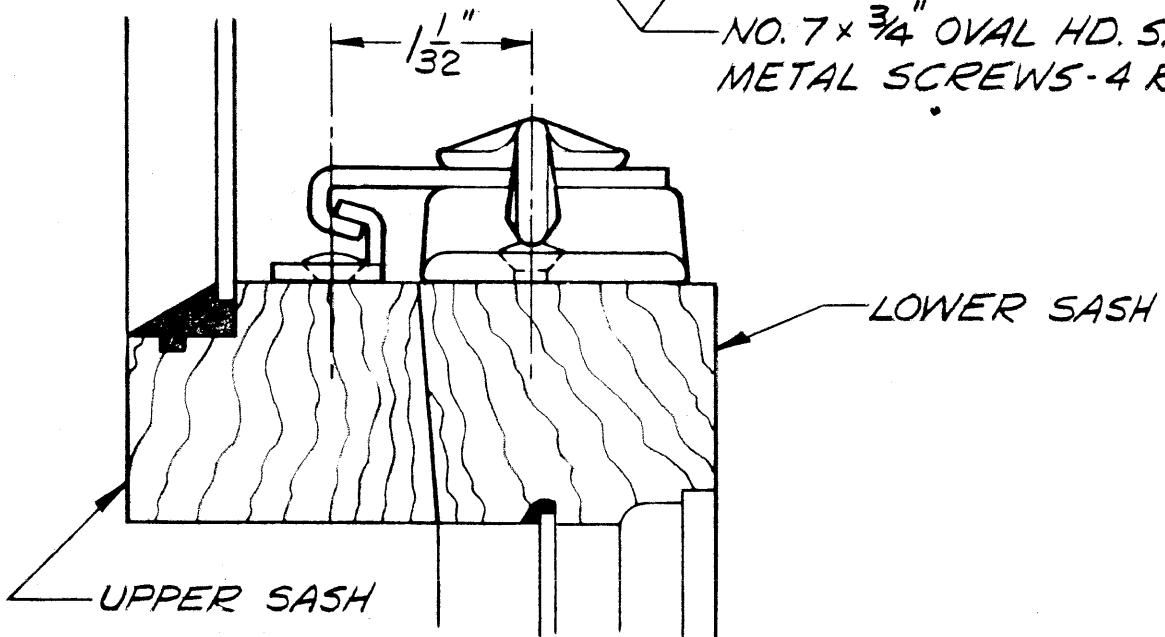
BASE & SWEEP



STRIKE



NO. 7 x 3/4" OVAL HD. SHEET  
 METAL SCREWS - 4 REQ.



**IVES**

NO. 4 & NO. 04 "CAM-TITE" SASH LOCKS

TEMPLATE NO. HB-4-12

DRAWN BY: C. S. C. DATE: 6-4-70

IVES DIVISION  
 LEIGH PRODUCTS, INC.  
 P. O. BOX 1887, NEW HAVEN, CONN. 06508