

IVES DOOR STOP AND HOLDERS

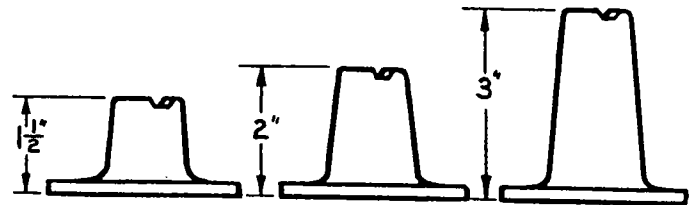
No's. 496 - 497 - 498

INSTALLATION INSTRUCTIONS FLOOR STRIKE APPLICATIONS

NOTES: Reinforcing of metal doors recommended. Use sex bolts on metal doors not reinforced. Recommended mounting is stop on door. Remove and discard safety set screw.

1: Mount backplate with centerline $3\frac{1}{2}$ " from latch edge of door as shown in illustration on back of this sheet. Use chart below to determine distance from floor to top of back plate, depending on height of floor strike you are using.

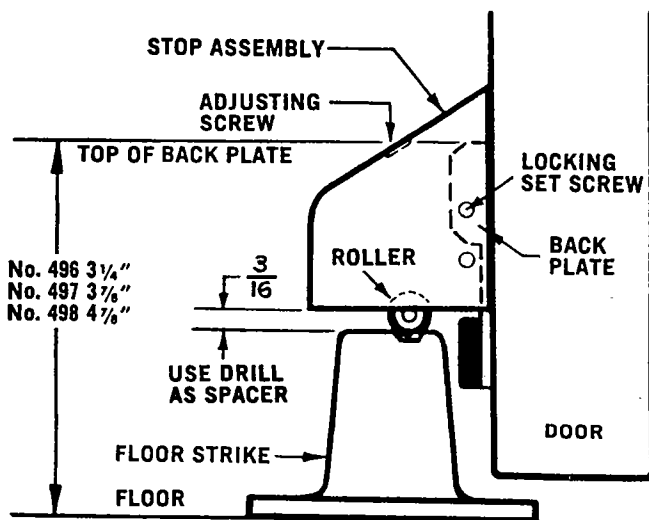
2: Place stop assembly on back plate and push it down on tapered legs, with locking set screw fully retracted. Then raise stop assembly approx. $\frac{1}{4}$ " (to provide adjustment) and lock in position with locking set screw. (See illustration on back of this sheet).



No. 496
For door to floor
clearances
of $\frac{3}{8}$ " to $1\frac{1}{4}$ "

No. 497
For door to floor
clearances
of $1\frac{1}{8}$ " to $1\frac{3}{4}$ "

No. 498
For door to floor
clearances
of $1\frac{1}{2}$ " to $2\frac{1}{8}$ "



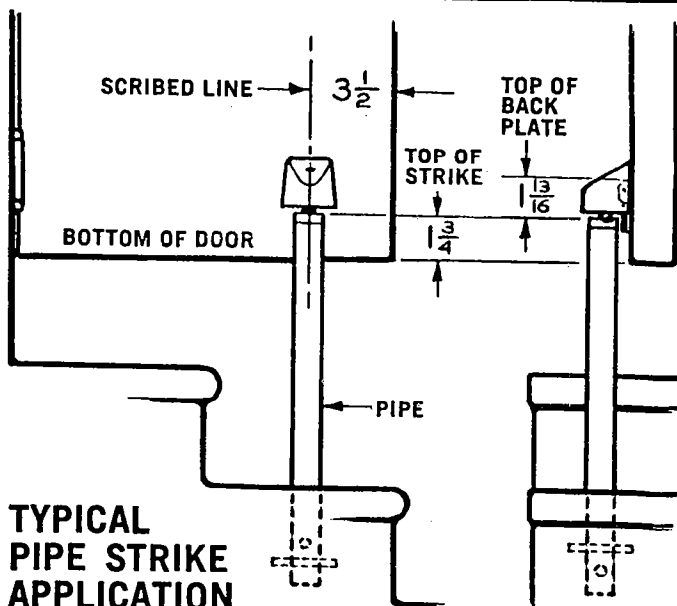
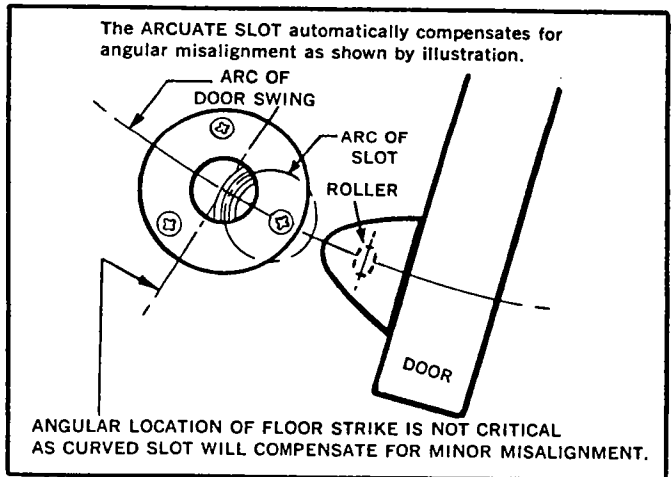
TYPICAL FLOOR STRIKE APPLICATION

3: Locate door in hold open position and place strike under stop assembly with roller fully engaged in slot. Position strike in reference to door as shown in diagram below. Use strike as template to locate screw holes.

4: Mount strike with three #12 x $1\frac{1}{4}$ " oval head sheet metal screws.

5: Adjust stop assembly on back plate to $\frac{3}{8}$ " clearance between housing and strike as shown in illustration at left. Use $\frac{3}{8}$ " drill as spacer. Secure with locking set screw.

6: Holding power is adjusted by turning adjusting screw counter-clockwise to increase tension and clockwise to decrease tension. Further adjustment can be made by moving stop assembly up or down on back plate.



TYPICAL PIPE STRIKE APPLICATION

PIPE STRIKE APPLICATION

No. 499

1: Scribe vertical line at bottom of door $3\frac{1}{2}$ " from latch edge
2: Position pipe strike so that top of strike is $1\frac{3}{4}$ " above the bottom of the door and centered on scribed line, as illustrated at left. Position strike in reference to door as shown in diagram above. (NOTE: Holes are provided in pipe for anchoring with nails.)

3: Mount back plate with centerline on vertical scribed line, $3\frac{1}{2}$ " from latch edge of door and top of back plate $1\frac{3}{16}$ " above top of pipe strike, as illustrated at left.

4: Place stop assembly on back plate and push it down on tapered legs, with locking set screw fully retracted. Then raise stop assembly approx. $\frac{1}{4}$ " (to provide adjustment) and lock in position with locking set screw.

5: To complete installation, follow instructions 5 and 6 above.