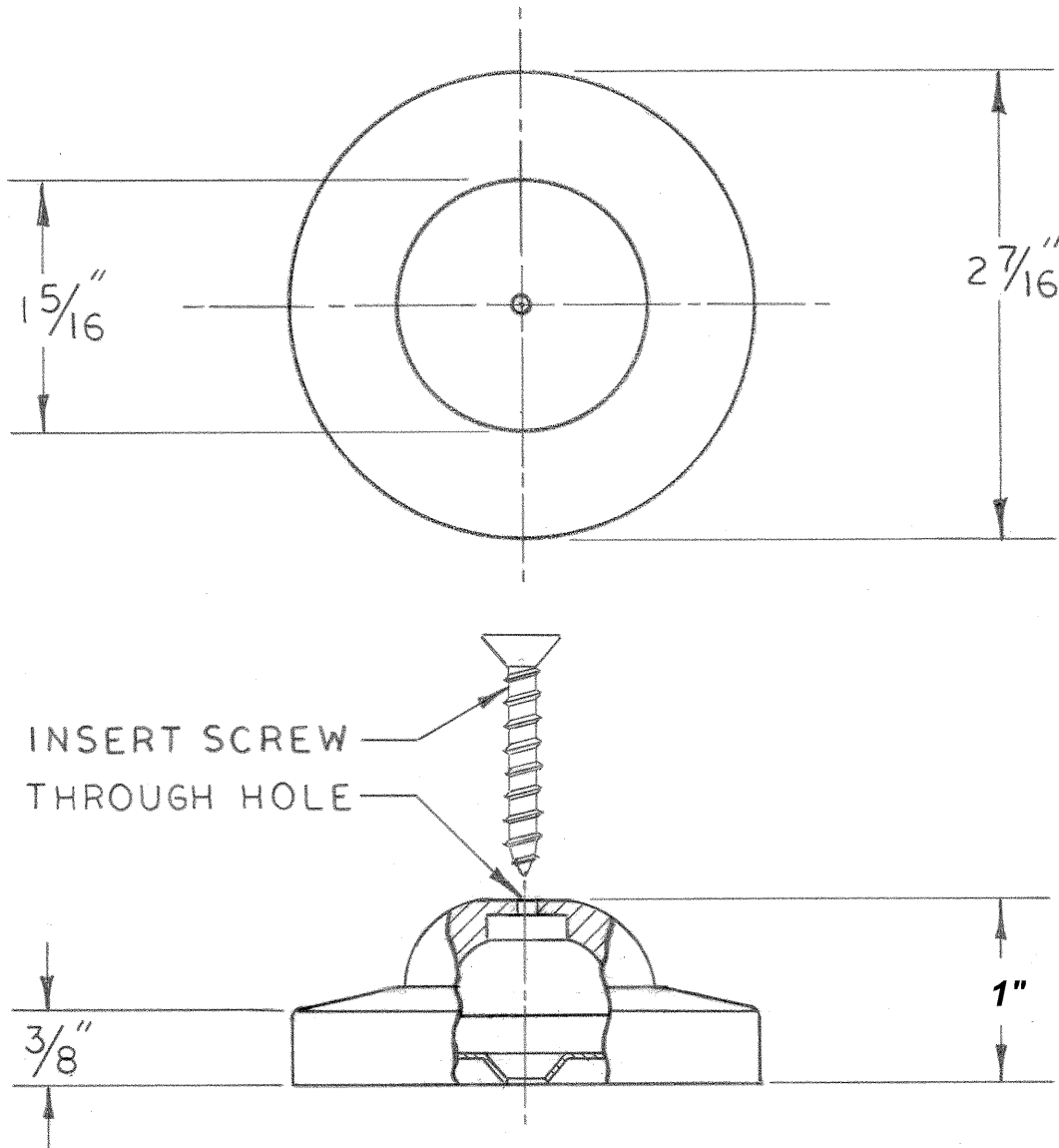


TEMPLATE DRAWING

DWG # 2238 **B**
Rev **B**, new drawing #
3/12/03



ON THE 406

USE (1) #10 X 1" FLAT HEAD SHEET METAL SCREW WITH
PLASTIC ANCHOR-DRILL 1/4" HOLE, 1 1/4" DEEP.

ON THE 407

USE (1) #8 X 1 1/4" ROVAL HEAD WOOD SCREW AND PLASTIC
ANCHOR-DRILL 5/16" HOLE.

ON THE 408

USE (1) #10-24 X 1" FLAT HEAD MACHINE SCREW WITH
#10-24 EXPANSION SHIELD-3/8" HOLE, 1" DEEP.

IVES

406 - 407 - 408 WALL BUMPER

TEMPLATE NO. HB-406-65

DRAWN BY: FJH

DATE: 6-22-84

THE H. B. IVES CO.

P.O. BOX 1887, NEW HAVEN, CONN. 06508