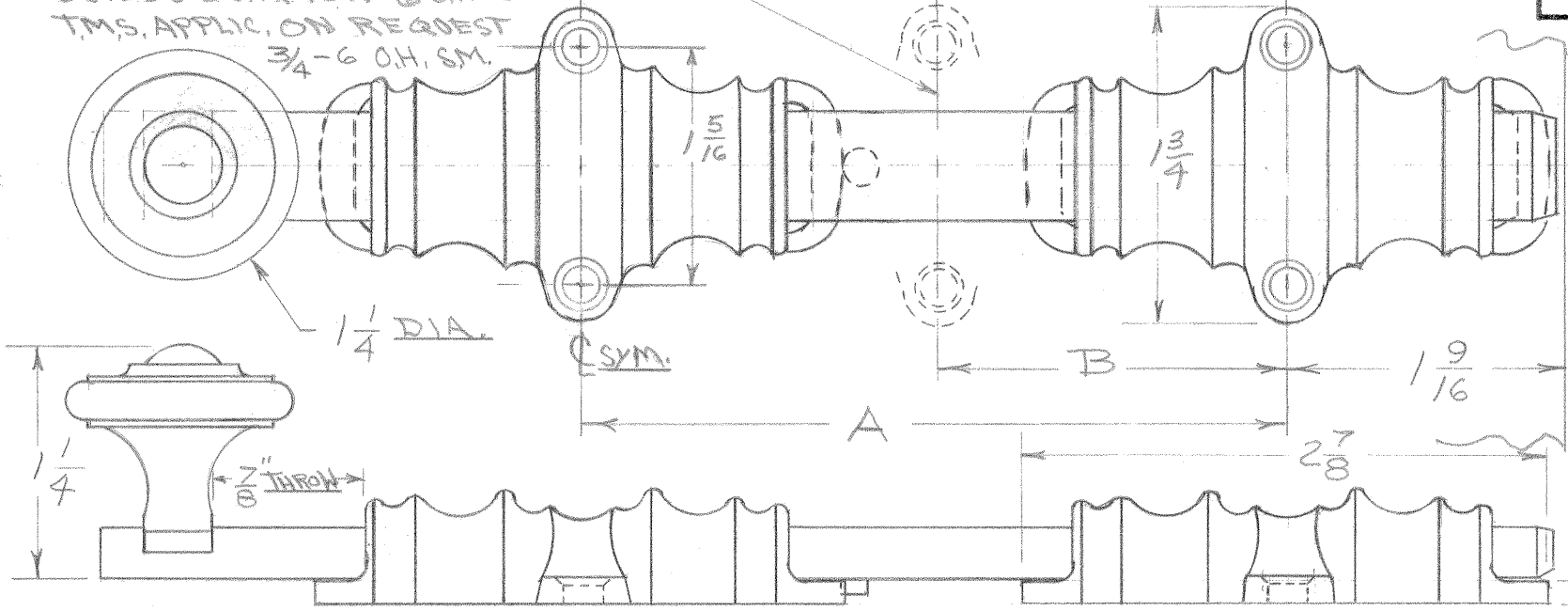


TEMPLATE DRAWING

DWG. NO. 724

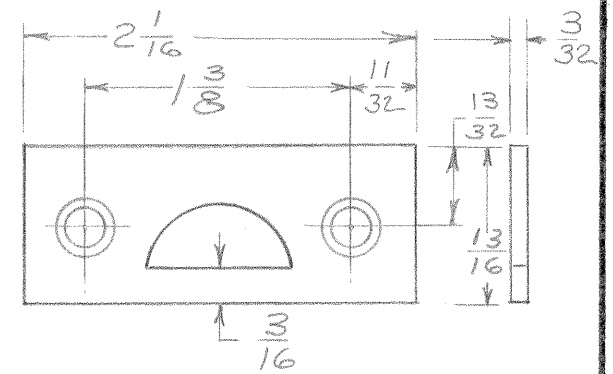
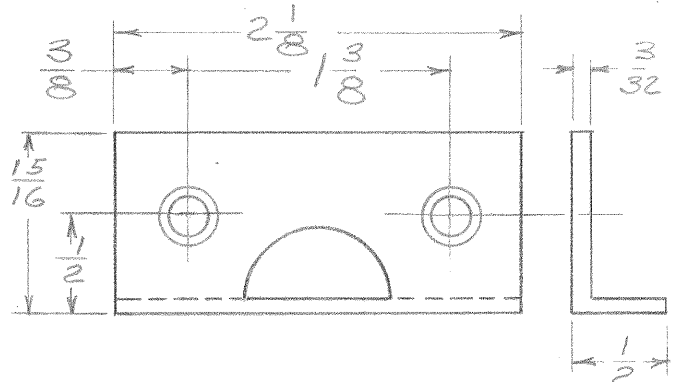
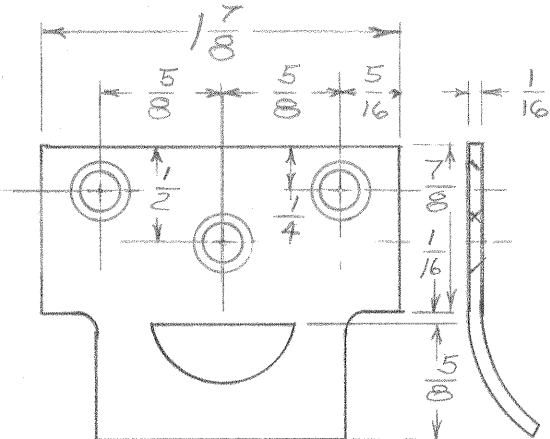
GUIDES C'SNK FOR #6 OH SCR.
T.M.S. APPLIC. ON REQUEST
3/4 - 6 OH. SM.

☐ OF 3RD GUIDE FOR BOLTS OVER 12"



Bolt Length	A	B
8"	3 15/16	
12"	7 15/16	
18"	13 15/16	6 31/32
24"	19 15/16	9 31/32
30"	25 15/16	12 31/32
36"	31 15/16	15 31/32
42"	37 15/16	18 31/32

ALL STRIKES C'SNK FOR #8 F.H. SCREW.
T.M.S. APPLIC. ON REQUEST 1/2 X 8-32 F.H.



UNIVERSAL STR.

ANGLE STRIKE

MORTISE STR.

				MATERIAL			PART NO. AND NAME		
				DIMENSIONAL TOLERANCES UNLESS OTHERWISE SPECIFIED			354 SURFACE BOLT TEMPLATE		
C				XXX	XX	ANG.	DRAWN	DATE	
B				±.010	±.020	±1°	APPROVED	DATE	
A							9/12/68		
SYM.	DESCRIPTION	DATE	DWN.						
REVISIONS				NO. REQ'D		SCALE		IVES DIVISION LEIGH PRODUCTS, INC. P. O. BOX 1887, NEW HAVEN, CONN. 06508	
						FULL			