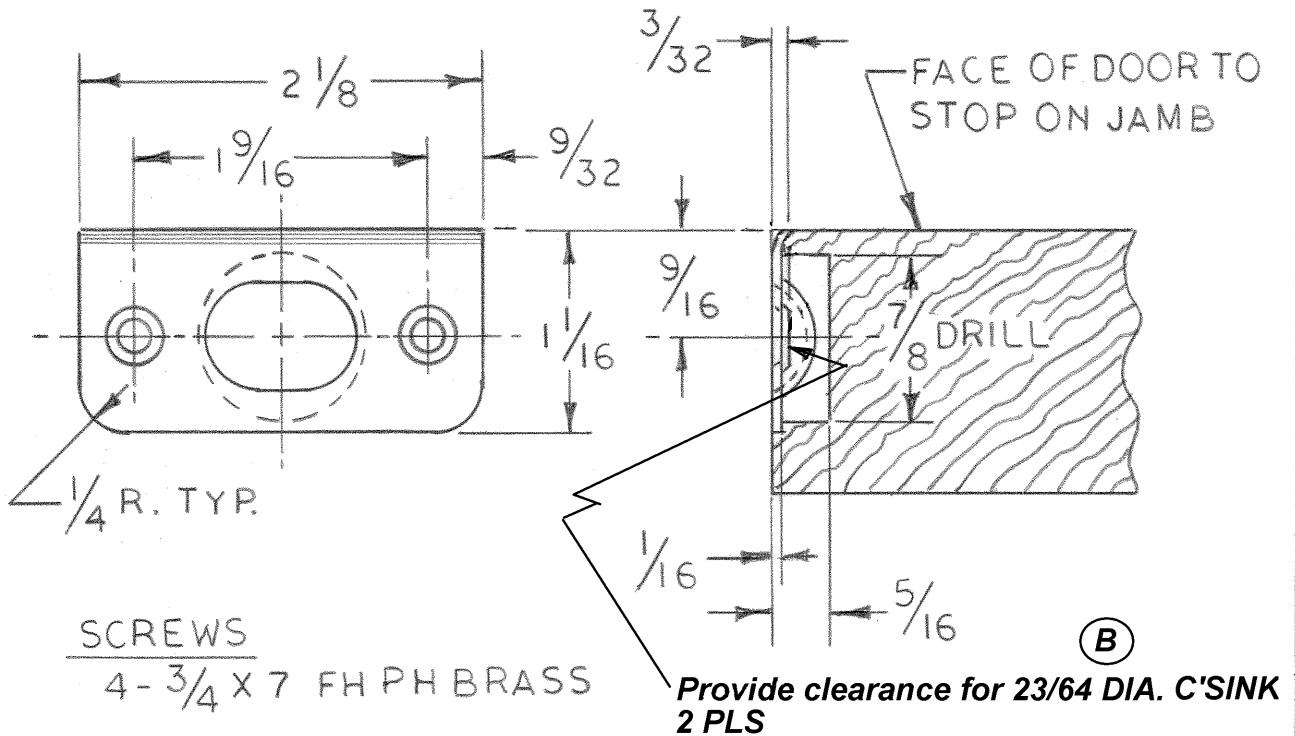
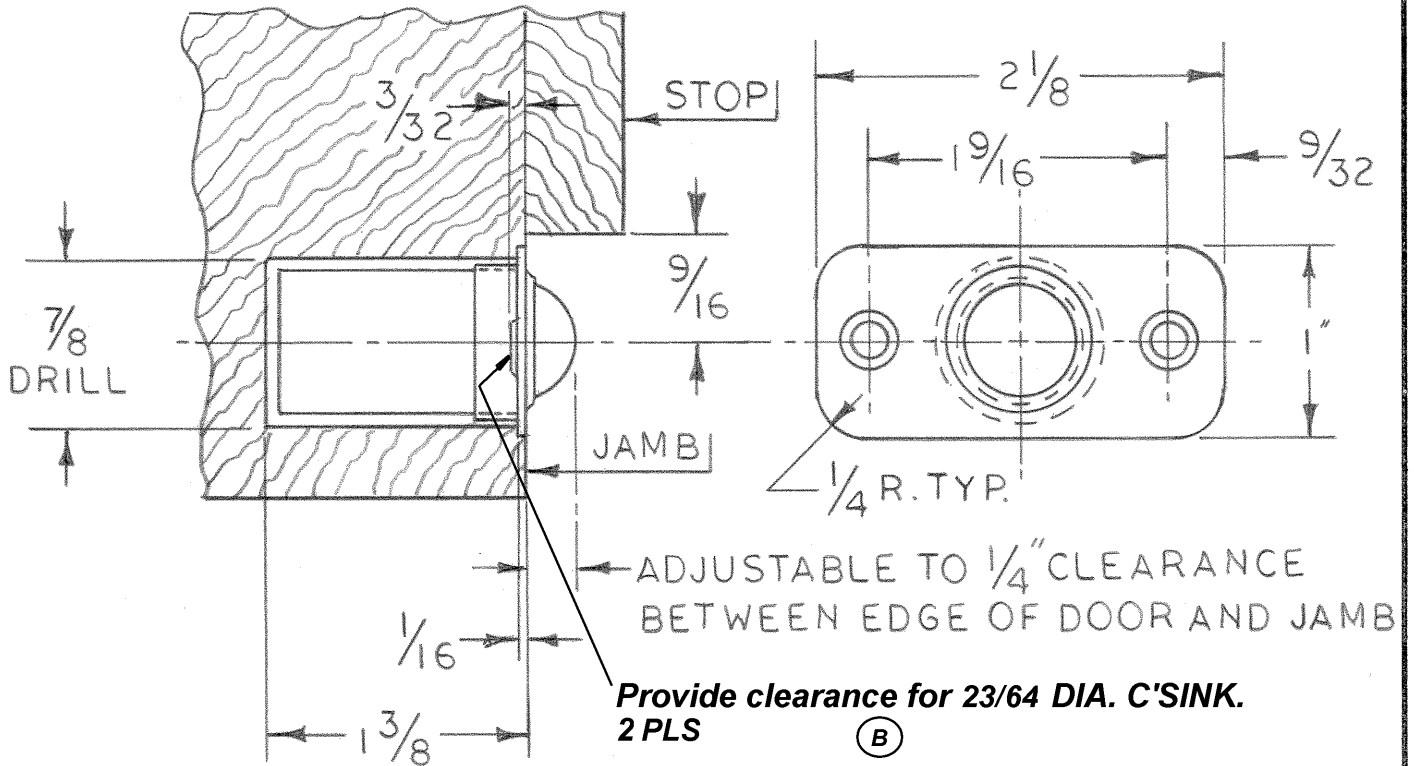


TEMPLATE DRAWING

348 CATCH MOUNTED IN JAMB



SCREWS
 4- 3/4 X 7 FH PH BRASS



348 BALL CATCH

TEMPLATE NO. HB-348-88

DRAWN BY: FJH

DATE: 5-27-88

THE H. B. IVES CO.
 P.O. BOX 1887, NEW HAVEN, CONN. 06508