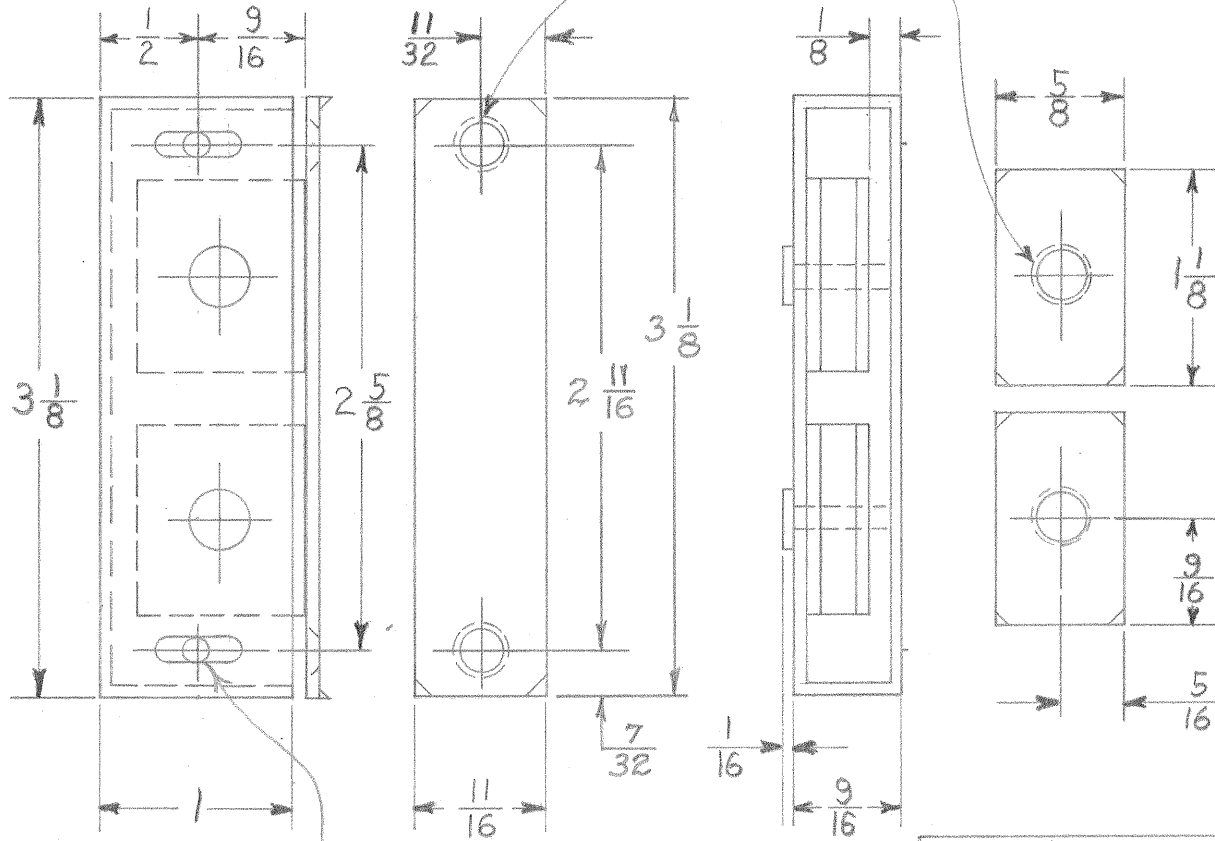


# TEMPLATE DRAWING

DWG. NO. 464

T.M.S. - CASE  $\frac{3}{4}$  X 6-32 TRUSS HD.  
 STRIKES  $\frac{1}{2}$  X 5-40 F.H.

$\frac{5}{8}$  X 5 F.H. SCREWS



1 X 6 TRUSS HD.

## 326 MAGNETIC CATCH

LETTER	CHANGE	DATE
A		
B		
C		
R.C.K.	9-9-60	FULL SIZE

IVES DIVISION  
 LEIGH PRODUCTS, INC.  
 P. O. BOX 1887, NEW HAVEN, CONN. 06508