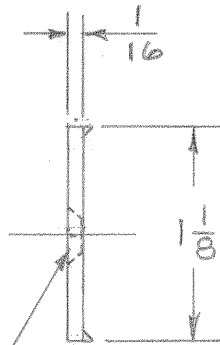
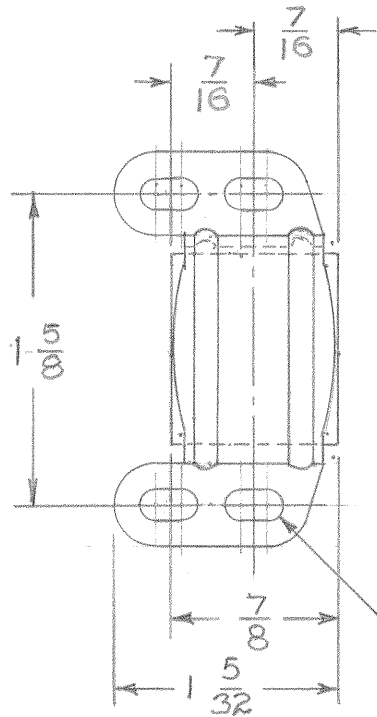


# TEMPLATE DRAWING

DWG. NO. 629

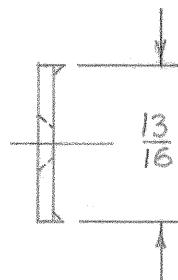
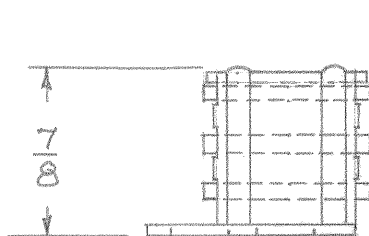
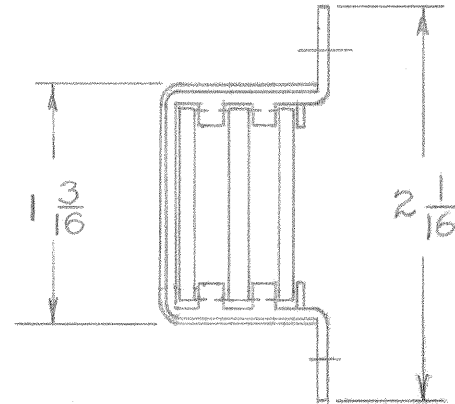


$\frac{5}{8}$  X 5 F.H. WOOD SCREW

$\frac{1}{2}$  X 5-40 F.H.

$\frac{1}{2}$  X 6 SHEET METAL TRUSS HEAD SCREWS

$\frac{1}{2}$  X 6-32 TRUSS HEAD



323 MAGNETIC CATCH

LETTER	CHANGE	DATE
A		
B		
C		
F.C.B	6-24-64	FULL SIZE

**IVES DIVISION**  
**LEIGH PRODUCTS, INC.**  
 P. O. BOX 1887, NEW HAVEN, CONN. 06508