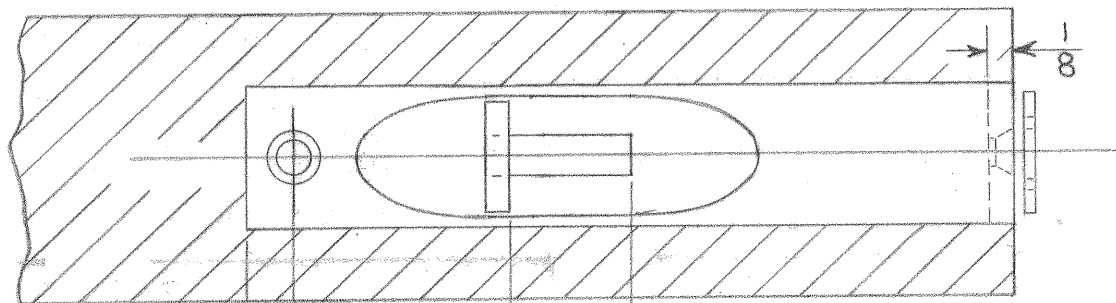
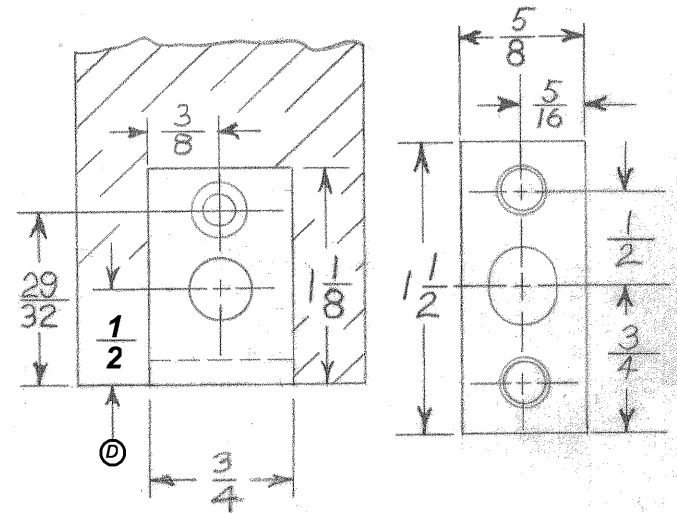
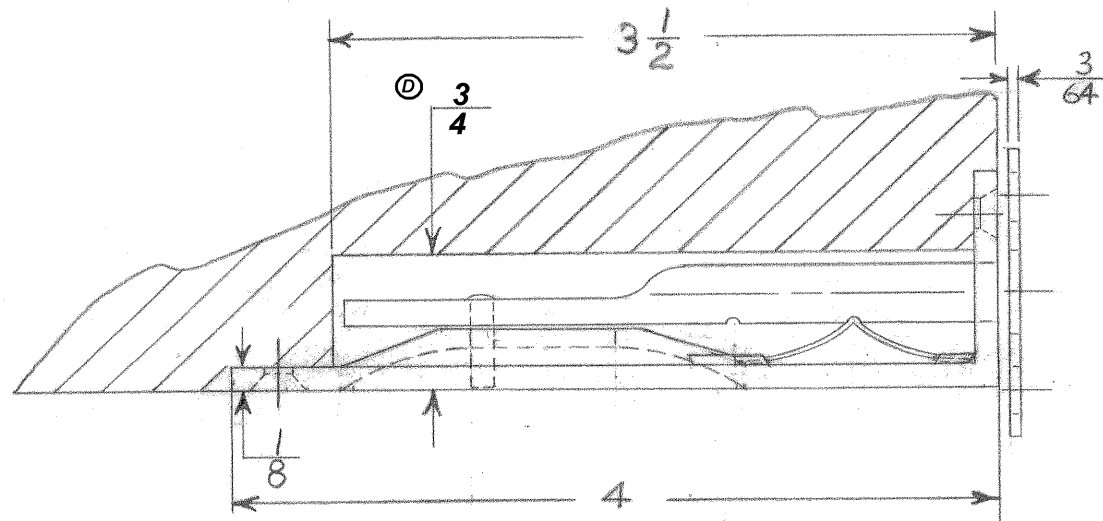


DO NOT SCALE

TEMPLATE DRAWING

DWG. NO. 447D

Ⓐ FURNISHED WITH - 4 - $\frac{3}{4}$ X 6 F.H. WOOD SCREWS



Ⓑ $\frac{1}{4}$ $\frac{3}{4}$ Ⓒ

THROW

261B FLUSH BOLT

| LETTER | CHANGE | DATE |
|---------------------------|--|----------|
| A | SCREW SIZE ADDED ^{RSL} | 3-17-66 |
| B | $\frac{1}{4}$ ADDED ^{RSL} | 11-22-71 |
| C | $\frac{3}{4}$ WAS $\frac{5}{8}$ | 3-11-03 |
| F.C.B. 10-28-59 FULL SIZE | | |

D $\frac{1}{2}$ WAS $\frac{15}{32}$, $\frac{3}{4}$ WAS $\frac{11}{16}$ 6/2/03

IVES DIVISION
 LEIGH PRODUCTS, INC.
 P. O. BOX 1887, NEW HAVEN, CONN. 06508