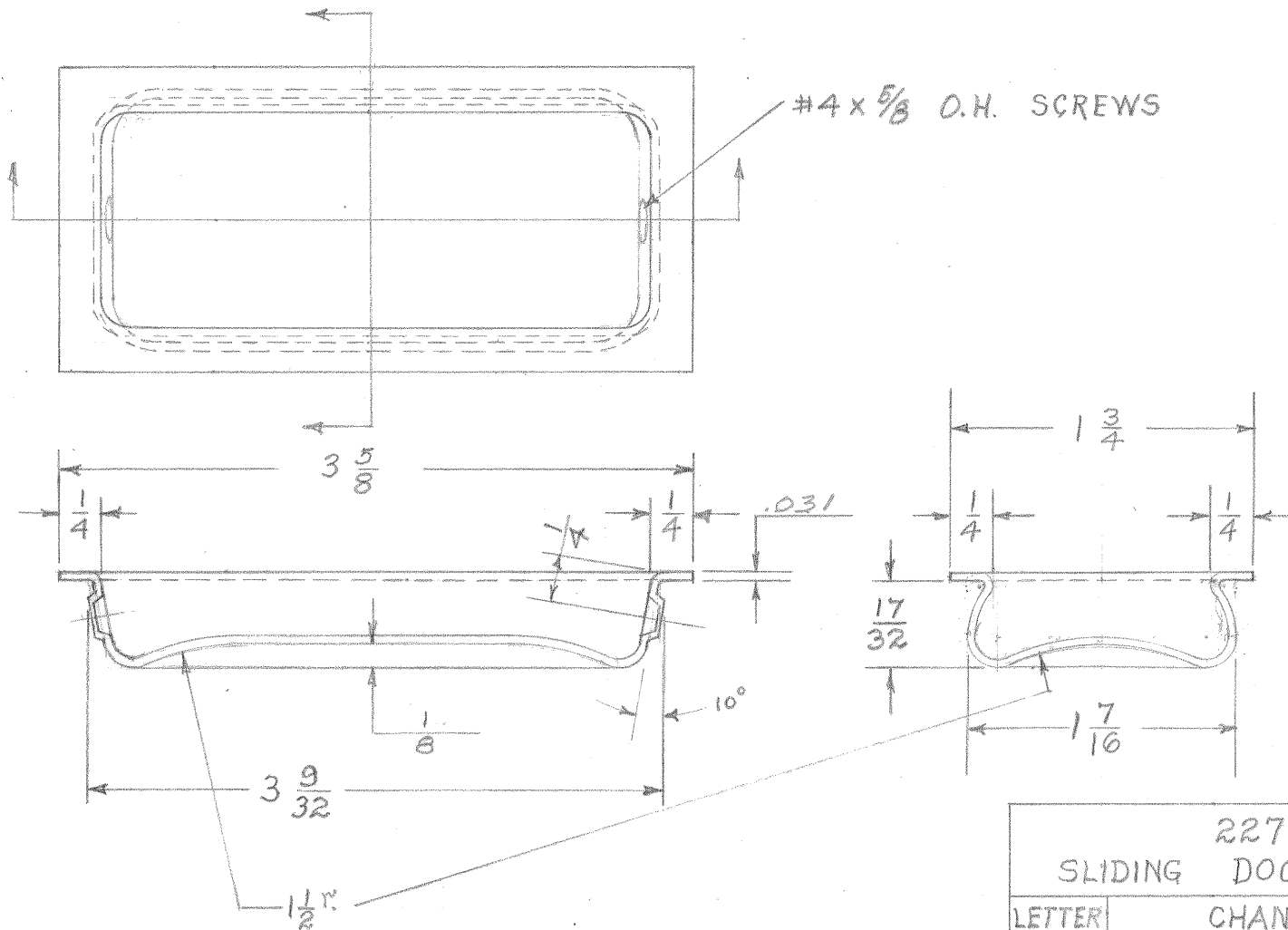


TEMPLATE DRAWING

DWG. NO. 295



MATERIAL - BRASS

227 B SLIDING DOOR PULL		
LETTER	CHANGE	DATE
A		
B		
C		
F.C.B.	10-26-50	FULL SIZE

IVES DIVISION
LEIGH PRODUCTS, INC.
 P. O. BOX 1887, NEW HAVEN, CONN. 06508