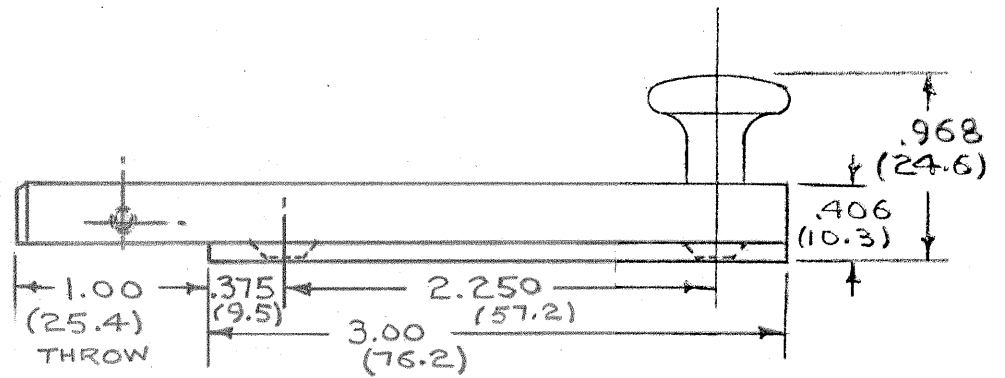
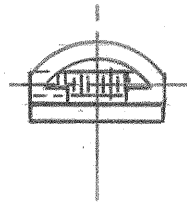
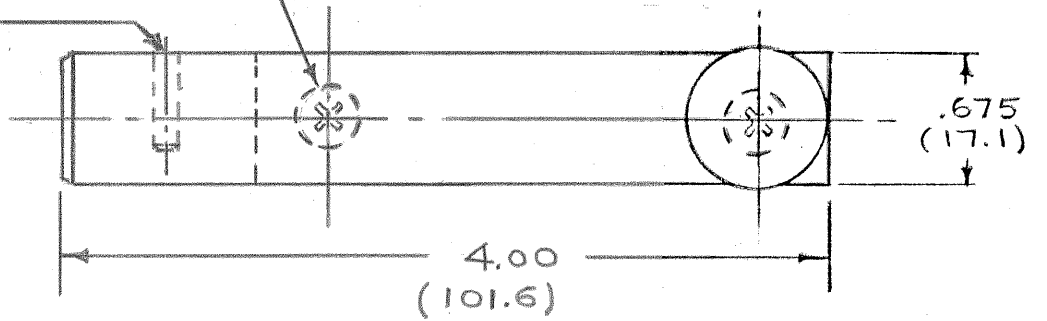


NOTE: METRIC DIMENSIONS IN PARENTHESIS (MM)

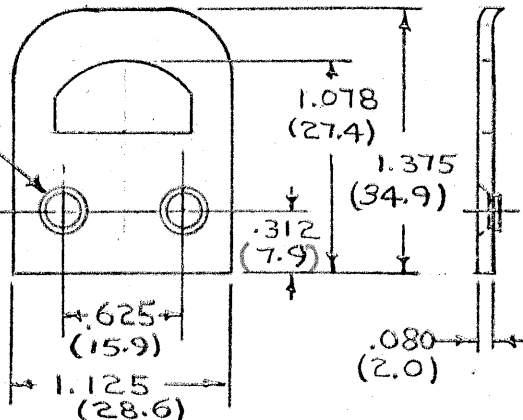
DO NOT SCALE

CONCEALED ATTACHING SCREWS  
(2 / No. 8 x 3/4 FH.P.H. SMS)

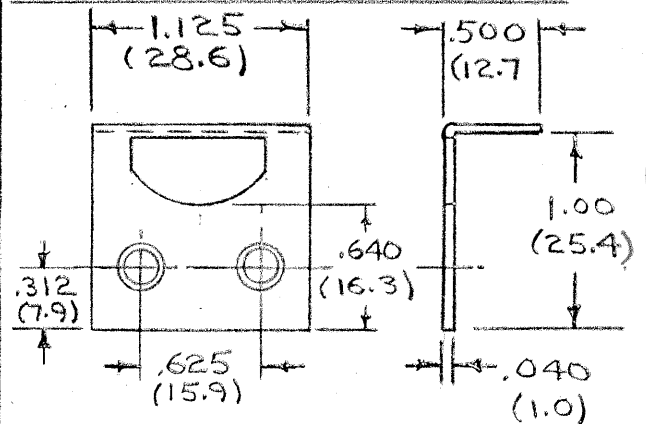
SET SCREW



STRIKE ATTACH. SCREWS  
(2 / No. 8 x 1/2 FH.P.H.WS)  
(38.1)



UNIVERSAL STRIKE



ANGLE STRIKE

**IVES**

No. 144 SURFACE BOLT (4 IN. LENGTH)

TEMPLATE NO. HB-144-45

DRAWN BY: WB1

DATE: 12-23-80

IVES DIVISION  
LEIGH PRODUCTS, INC.  
P. O. BOX 1887, NEW HAVEN, CONN. 06508

5173

TEMPLATE DRAWING

DWG # 2244 A  
Rev A, new drawing #  
10/5/99