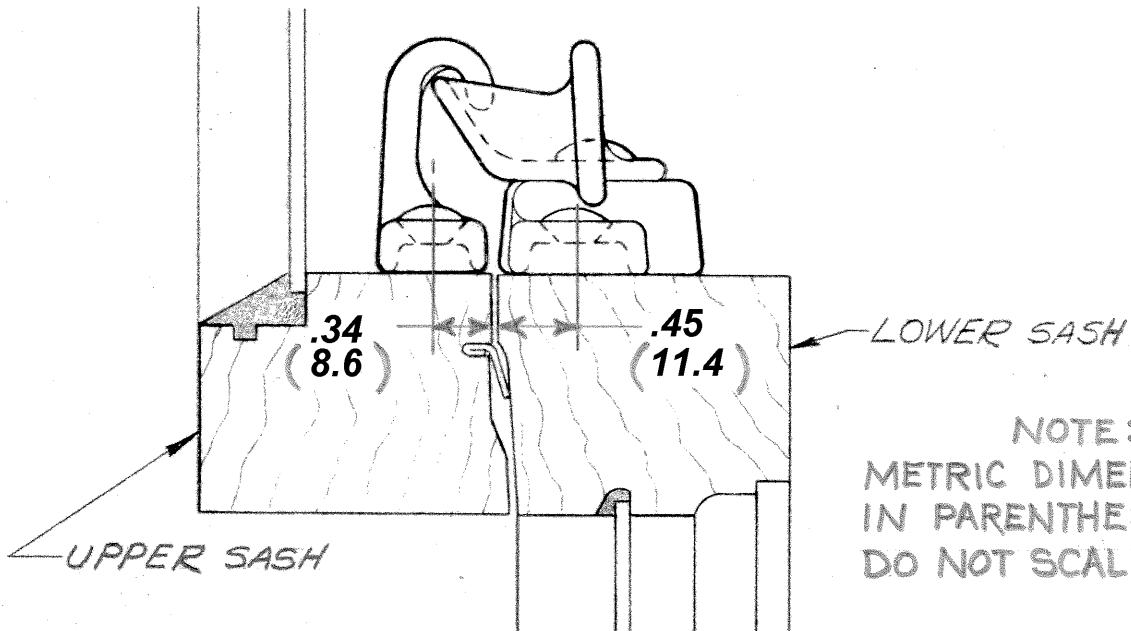
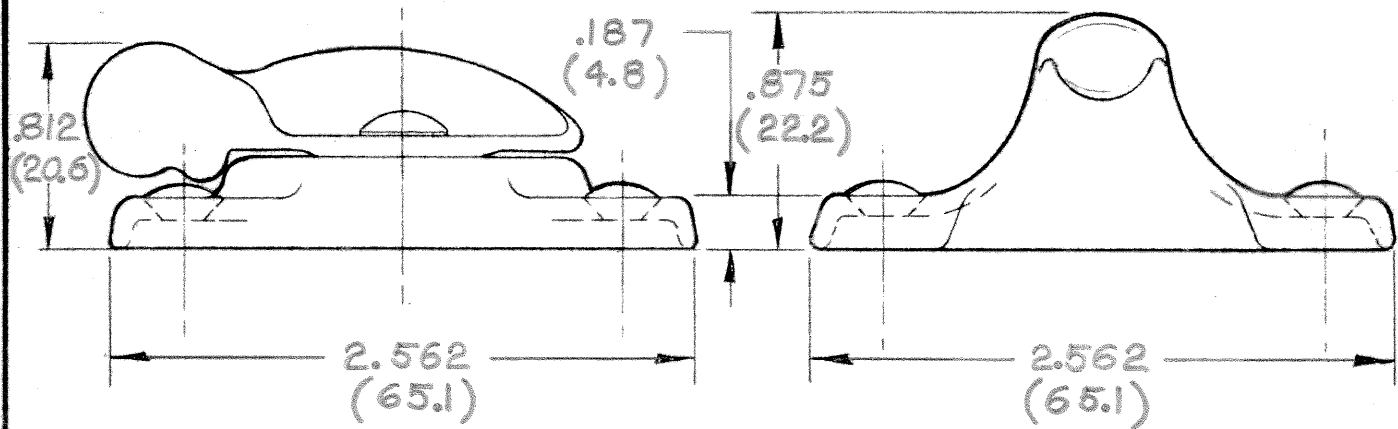
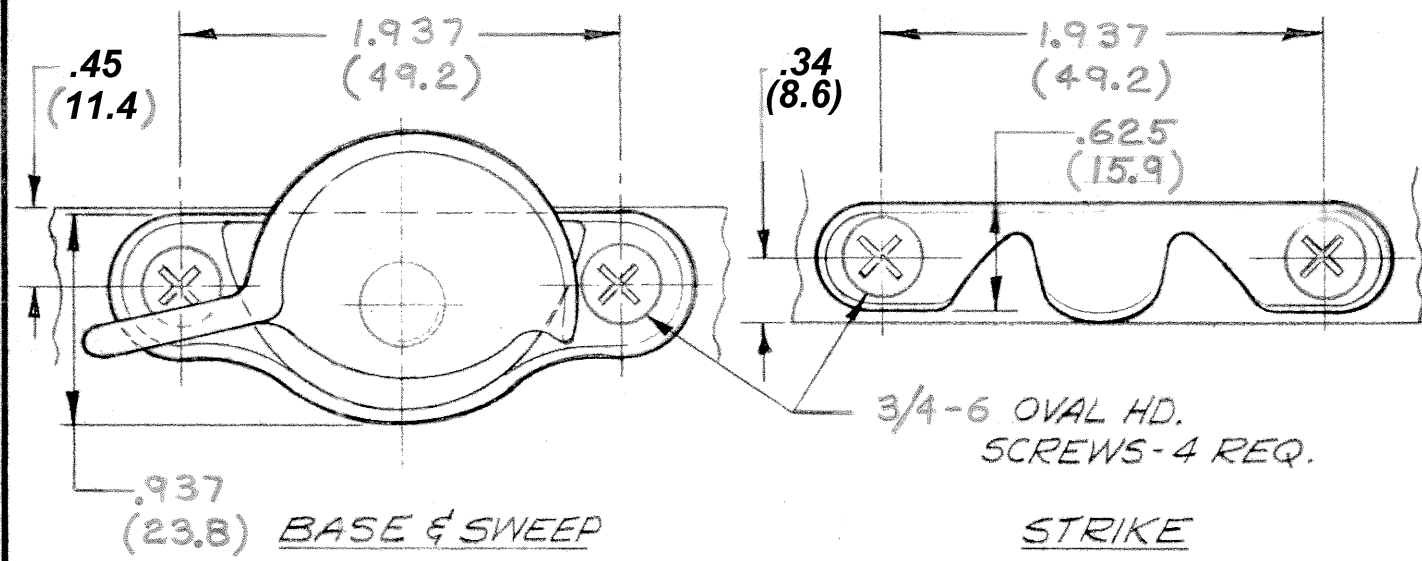


# TEMPLATE DRAWING

DWG # 2254 **B**  
 Rev **B**, new drawing #  
 1/14/03



NOTE:  
 METRIC DIMENSIONS  
 IN PARENTHESIS.  
 DO NOT SCALE



07A SASH FASTENER

TEMPLATE NO. *HB-07-43*  
 DRAWN BY: *ROK*      DATE: *8-28-79*

IVES DIVISION  
 LEIGH PRODUCTS, INC.  
 P. O. BOX 1887, NEW HAVEN, CONN. 06508