

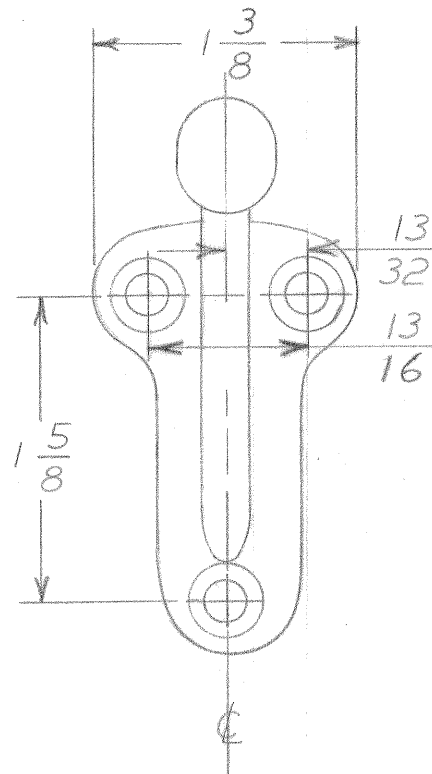
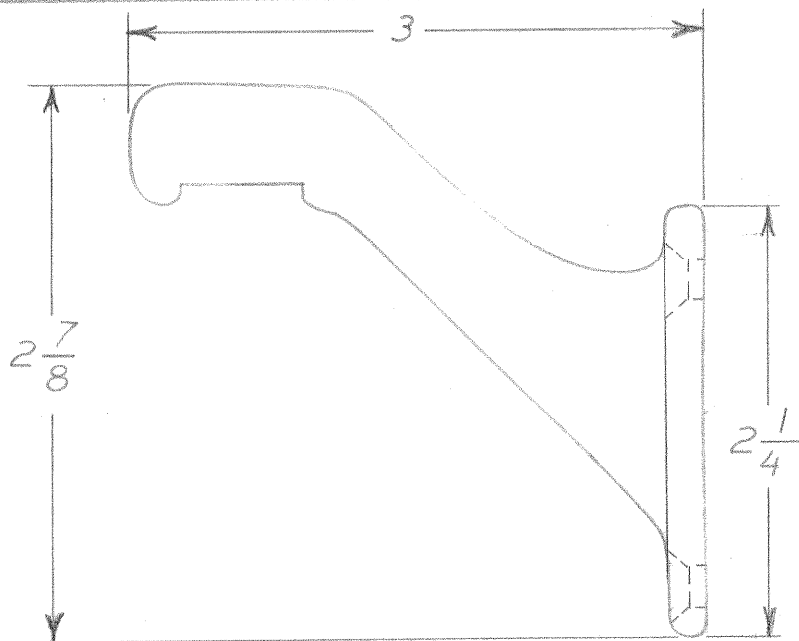
TEMPLATE DRAWING

DWG. NO. 532A

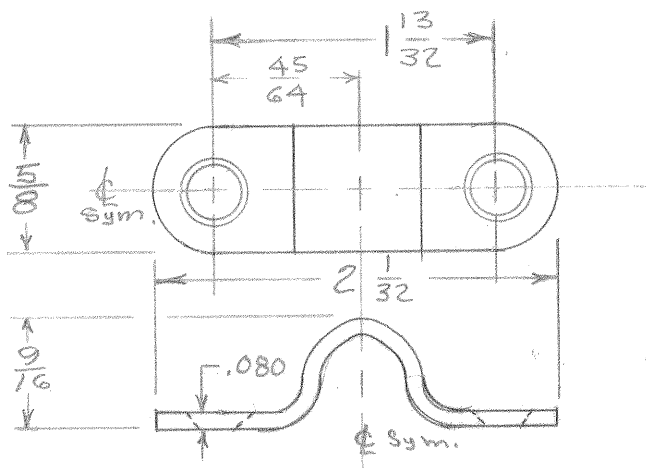
USE 3-1 1/2 X #10, O.H. WOOD SCREWS

OR #10-24 O.H. MACHINE SCREWS FOR BRACKET

USE (2) 1 X 8 O.H. WOOD SCREWS FOR CLAMP



(A)



059 BRACKET

LETTER	CHANGE	DATE
A	added views	6/29/69
B		
C		

R.C.K. 3-12-62 SCALE 1:1.

IVES DIVISION
LEIGH PRODUCTS, INC.
 P. O. BOX 1887, NEW HAVEN, CONN. 06508