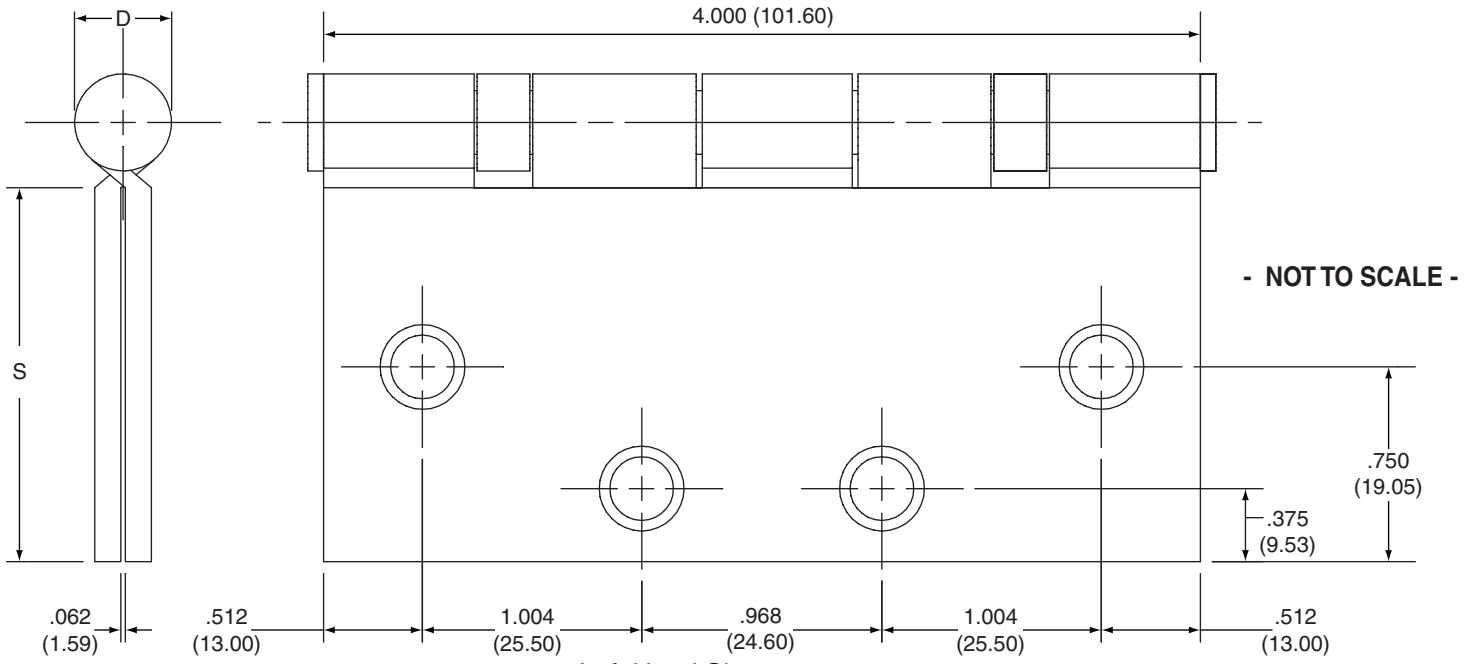


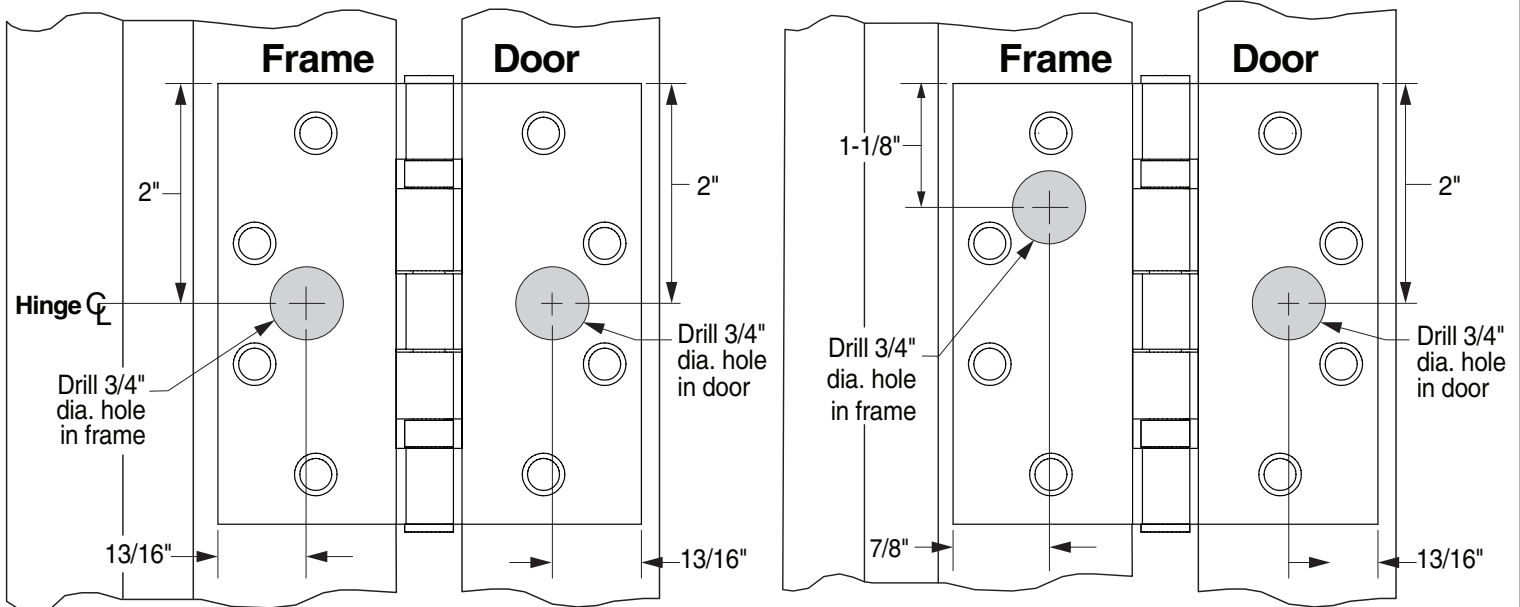
For use with: 5BB1 suffixed TW4-CON, TW8-CON, or TW12-CON



TW4 and TW8

Left Hand Shown
(Right Hand Rotate 180°)

TW12



Hinge Model	Hinge Weight	Metal Gauge	(D) Knuckle Diameter	(S) Distance From Edge of Leaf to Swage Line
				4 x 4 (101.60 x 101.60)
5BB1	Standard	.130 (3.30)	.609 (15.48)	1.625 (41.28)

Machine Screw Size: 12-24 x 1/2" F.H.
Wood Screw Size: #12 x 1 1/4" F.H.

Notes:

1. Round Corners (RC) application will have 1/4" (6.35) and 5/8" (15.88) radius corners, but will conform to template as shown above the other radius corners.
2. Hospital Tips (HT) application will conform to template as shown above.

Customer Service

1-877-671-7011

www.allegion.com/us

IVES HINGES ARE MADE IN SIZE, GAUGE AND WITH SCREW HOLES LOCATED TO CONFORM TO ANSI - A156.7.

IVES

5 KNUCKLE 4" ELECTRIC FULL MORTISE HINGE TEMPLATE



ALLEGION

© 2020 Allegion
INST.4-5KEHG
Rev. 08/20-a

Note: Dimensions in () are millimeters

Template Number INST.4-5KEHG_a