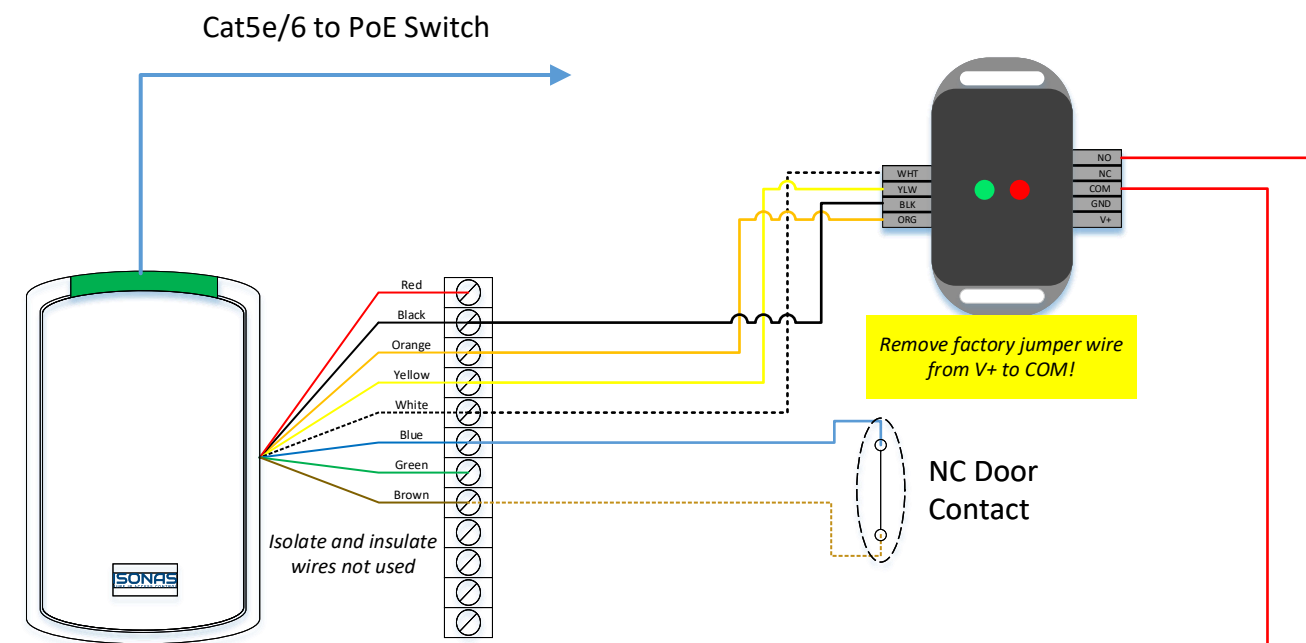


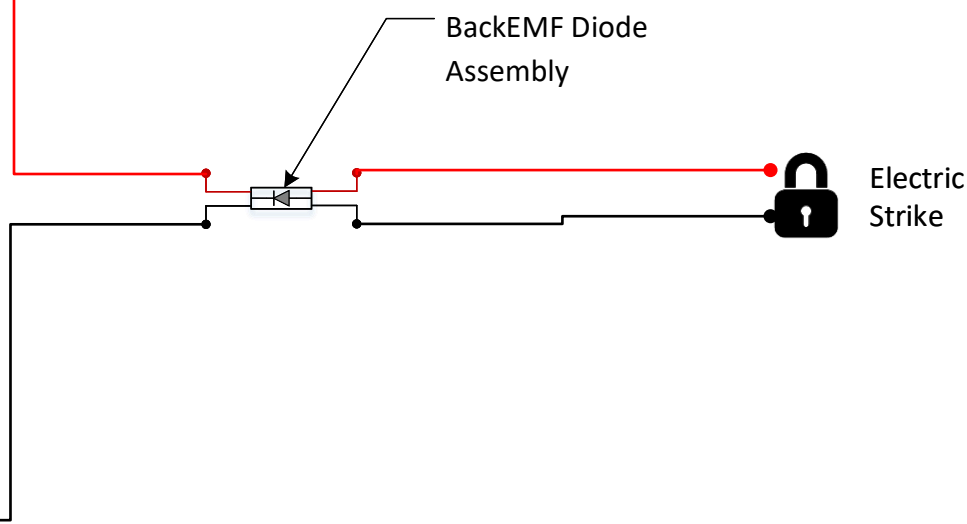
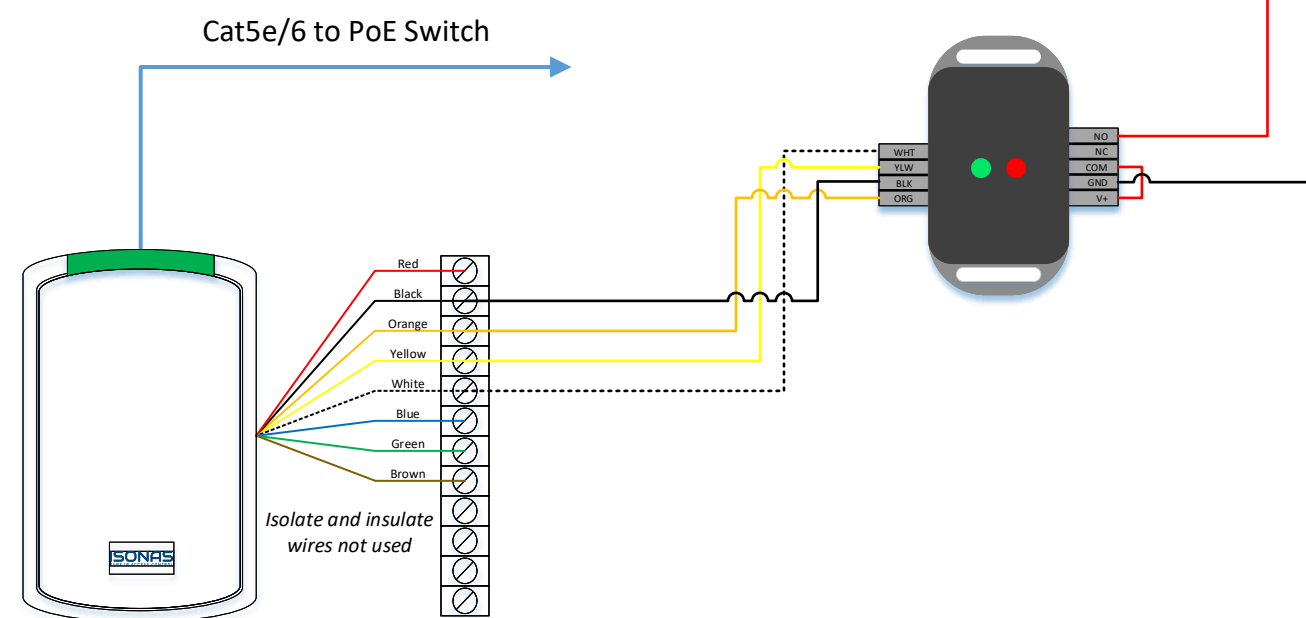
Manager Reader



Important

- Manager Reader and Employee Reader must have different access rights for this to function properly.
- Manager credential cannot have access to Employee Reader and Employee credential cannot have access to Manager Reader
- Both credentials must be presented close to the same time. When either reader latch time expires the door will no longer be unlatched
- One reader should be installed on the latch side and the other should be installed on the hinge side of the door to prevent RF interference between the readers.

Employee reader



RC-04.POE.EDK.Strike.DualAuthorization

Dwg No: Sheet 1 of 1

Date: 1-23-2018 Drawn By: David Tamarchenko Version: 1.00.00

ISONAS
PURE IP ACCESS CONTROL

4750 Walnut Street Suite 110
Boulder, CO 80301
www.isonas.com