


NOTES:
 1) ALL LOW VOLTAGE WIRING TO BE STANDARD, MULTI-CONDUCTOR COLOR CODED WITHOUT SPLICES.
 2) WIRING TO CONFORM TO APPLICABLE NATIONAL, STATE AND LOCAL ELECTRICAL CODES.
 3) REFER TO SPECIFIC PRODUCT INSTALLATION INSTRUCTIONS FOR SPECIFIC WIRING REQUIREMENTS.
 4) THIS DRAWING IS FOR GRAPHICAL REPRESENTATION OF PRODUCTS DETAILED IN THE HARDWARE SET ONLY.
 5) * CONDUCTOR COUNT TO BE DETERMINED BY ACCESS CONTROL PANEL PROVIDER.

HARDWARE USED:
 SCHLAGE IPBRIDGE
 SCHLAGE WIEGAND READER
 LOCKNETICS MDS100 STRIKE
 LOCKNETICS EMS-100 MOTION SENSOR
 SCHLAGE 679-05 DPS
 JUNCTION BOX

OPERATION:
 DOORS NORMALLY CLOSED AND LOCKED.
 ENTRY BY VALID CREDENTIAL OR KEY OVERRIDE.
 MOTION SENSOR TO SHUNT DOOR FORCED ALARM.
 FREE EGRESS AT ALL TIMES.
 VERIFY PoE+ POWER SOURCE ADEQUATE FOR LOAD.

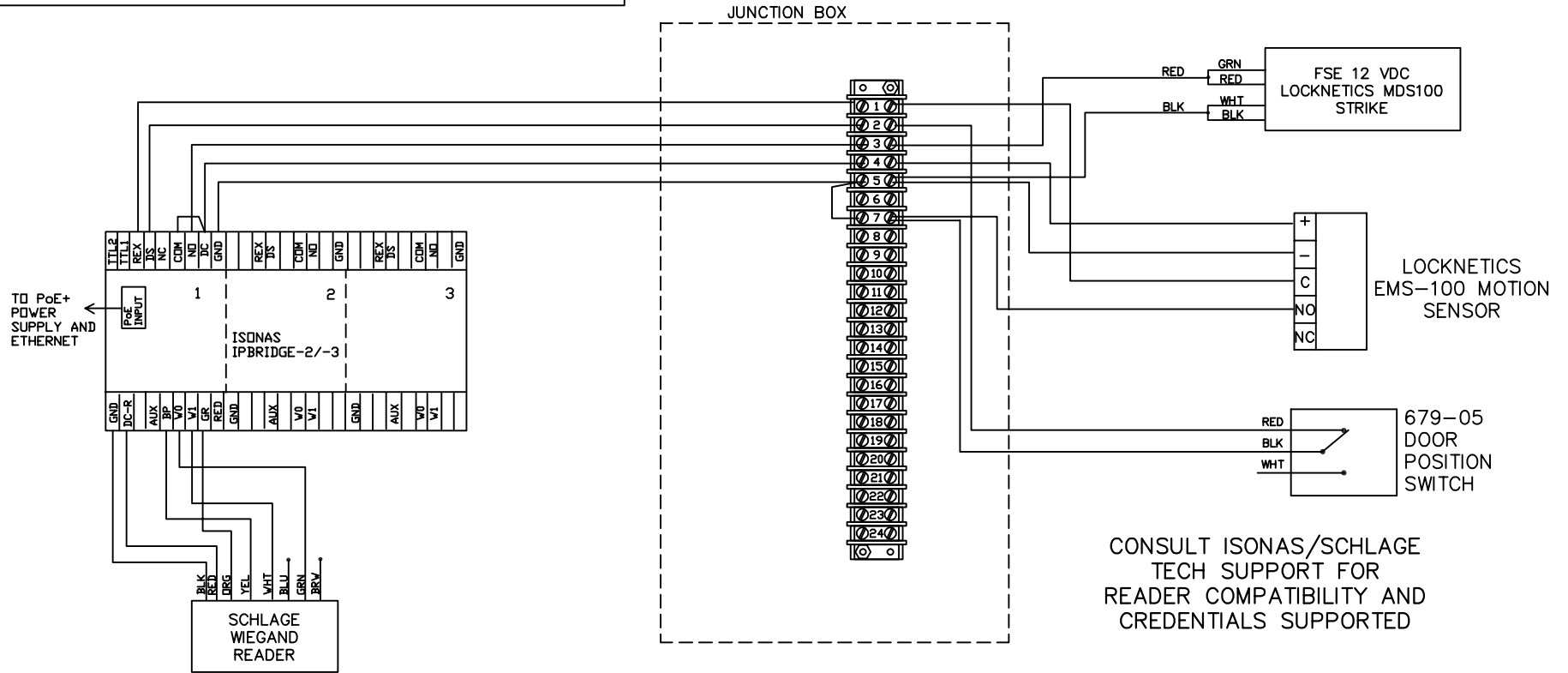
DATE DRAWN: 10-21-20 REVISION DATE: 3-7-22

ALLEGION™ 

TITLE: ISONAS IP BRIDGE WITH ESTRIKE-SINGLE DOOR

DRAWING TYPE: RISER DIAGRAM	DWG NO: 113771R	REV: B
DRAWN/CHECKED BY: DOVE/TAMARCHENKO		

THIS DIAGRAM REPRESENTS A GENERIC CONFIGURATION. CUSTOM WIRING DIAGRAMS CAN BE ACQUIRED BY CONTACTING TECHNICAL SUPPORT.



- NOTES:
- 1) ALL LOW VOLTAGE WIRING TO BE STANDARD, MULTI-CONDUCTOR COLOR CODED WITHOUT SPLICES.
 - 2) WIRING TO CONFORM TO APPLICABLE NATIONAL, STATE AND LOCAL ELECTRICAL CODES.
 - 3) REFER TO SPECIFIC PRODUCT INSTALLATION INSTRUCTIONS FOR SPECIFIC WIRING REQUIREMENTS.
 - 4) THIS DRAWING IS FOR GRAPHICAL REPRESENTATION OF PRODUCTS DETAILED IN THE HARDWARE SET ONLY.

HARDWARE USED:
 SCHLAGE IPBRIDGE
 SCHLAGE WIEGAND READER
 LOCKNETICS MDS100 STRIKE
 LOCKNETICS EMS-100 MOTION SENSOR
 SCHLAGE 679-05 DPS
 JUNCTION BOX

OPERATION:
 DOORS NORMALLY CLOSED AND LOCKED.
 ENTRY BY VALID CREDENTIAL OR KEY OVERRIDE.
 MOTION SENSOR TO SHUNT DOOR FORCED ALARM.
 FREE EGRESS AT ALL TIMES.
 VERIFY PoE+ POWER SOURCE ADEQUATE FOR LOAD.

DATE DRAWN: 10-21-20 REVISION DATE: 3-7-22

ALLEGION™ 

TITLE: ISONAS IP BRIDGE WITH
 ESTRIKE-SINGLE DOOR

DRAWING TYPE:
 WIRING DIAGRAM

DWG NO: 113771W
 DRAWN/CHECKED BY:
 DOVE/TAMARCHENKO

REV
 B