

# Adjustable Surface Mounted Door Stops and Holders

**GLYNN-JOHNSON**

Model 550 OH

Installation Instructions

**Installation Procedure:**

- Determine** the direction of slider based on door width, from 24" ~ 48" for 1 3/4" ~ 2 1/4" Butts & 3/4" Offset Pivot, select proper dimensions as shown on Table 1 ; from 27" ~ 48" for 1 3/4" ~ 2 1/4" Center Hung, as shown on Table 2.
- Determine** desired degree of door opening as shown on Table 1 & Table 2 respectively.

Table 1:

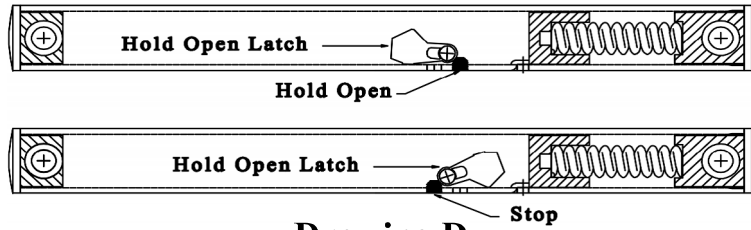
	Door Width (Inches)	Opening Degree	For All degrees		85°		90°		95°		100°		105°		110°	
			A	C	B	L	B	L	B	L	B	L	B	L	B	L
1 3/4 ~ 2 1/4 Butts & 3/4 Offset Pivot	24	Inches	2 $\frac{3}{4}$	19 $\frac{5}{16}$			6 $\frac{27}{32}$	13 $\frac{3}{16}$	5 $\frac{23}{64}$	13 $\frac{3}{16}$	5 $\frac{1}{2}$	13 $\frac{37}{64}$	5 $\frac{19}{64}$	13 $\frac{31}{32}$	5 $\frac{23}{64}$	14 $\frac{3}{8}$
		mm	72.50	490.55			174.15	335.00	136.20	335.00	134.30	345.00	134.45	355.00	136.00	365.00
	25	Inches	3 $\frac{1}{4}$	19 $\frac{5}{16}$	7 $\frac{4}{32}$	13 $\frac{3}{16}$	5 $\frac{1}{4}$	13 $\frac{3}{16}$	5 $\frac{1}{64}$	13 $\frac{37}{64}$	5	13 $\frac{31}{32}$	5 $\frac{1}{32}$	14 $\frac{3}{8}$	5 $\frac{1}{8}$	14 $\frac{49}{64}$
		mm	85.20	490.55	180.90	335.00	131.50	335.00	127.50	345.00	126.65	355.00	127.70	365.00	129.95	375.00
	26 ~ 28	Inches	4 $\frac{1}{4}$	19 $\frac{5}{16}$	6 $\frac{19}{32}$	13 $\frac{31}{32}$	6 $\frac{3}{64}$	14 $\frac{3}{8}$	5 $\frac{47}{64}$	14 $\frac{49}{64}$	5 $\frac{9}{16}$	15 $\frac{5}{32}$	5 $\frac{33}{64}$	15 $\frac{35}{64}$	5 $\frac{17}{32}$	15 $\frac{15}{16}$
		mm	110.60	490.55	167.35	355.00	153.60	365.00	145.55	375.00	141.55	385.00	140.25	395.00	140.80	405.00
	29 ~ 33	Inches	6 $\frac{1}{4}$	19 $\frac{5}{16}$	6 $\frac{29}{32}$	15 $\frac{15}{16}$	6 $\frac{3}{16}$	16 $\frac{5}{16}$	5 $\frac{49}{64}$	16 $\frac{23}{32}$	5 $\frac{9}{16}$	17 $\frac{1}{8}$	5 $\frac{31}{64}$	17 $\frac{1}{2}$	5 $\frac{1}{2}$	17 $\frac{29}{32}$
		mm	161.40	490.55	175.10	405.00	156.85	415.00	146.40	425.00	141.20	435.00	139.30	445.00	139.60	455.00
	34 ~ 38	Inches	8 $\frac{3}{4}$	19 $\frac{5}{16}$	7 $\frac{3}{4}$	15 $\frac{15}{16}$	7	16 $\frac{5}{16}$	6 $\frac{1}{2}$	16 $\frac{23}{32}$	6 $\frac{7}{32}$	17 $\frac{1}{8}$	6 $\frac{1}{16}$	17 $\frac{1}{2}$	5 $\frac{3}{32}$	17 $\frac{1}{2}$
		mm	224.90	490.55	196.80	405.00	177.75	415.00	165.25	425.00	157.75	435.00	153.80	445.00	129.50	445.00
	39 ~ 43	Inches	11 $\frac{1}{4}$	19 $\frac{5}{16}$	7 $\frac{25}{32}$	18 $\frac{5}{16}$	6 $\frac{13}{16}$	18 $\frac{11}{16}$	6 $\frac{15}{64}$	19 $\frac{1}{8}$	5 $\frac{29}{32}$	19 $\frac{31}{64}$	5 $\frac{3}{4}$	19 $\frac{7}{8}$	5 $\frac{23}{32}$	20 $\frac{9}{32}$
		mm	288.40	490.55	197.50	465.00	173.15	475.00	158.30	485.00	150.20	495.00	146.40	505.00	145.35	515.00
	44 ~ 48	Inches	13 $\frac{25}{64}$	19 $\frac{5}{16}$	7 $\frac{59}{64}$	20 $\frac{9}{32}$	6 $\frac{25}{32}$	20 $\frac{43}{64}$	6 $\frac{1}{8}$	21 $\frac{1}{16}$	5 $\frac{25}{32}$	21 $\frac{29}{64}$	5 $\frac{5}{8}$	21 $\frac{27}{32}$	5 $\frac{19}{32}$	22 $\frac{1}{4}$
		mm	340.00	490.55	201.35	515.00	172.30	525.00	155.50	535.00	146.80	545.00	143.00	555.00	142.10	565.00

Table 2:

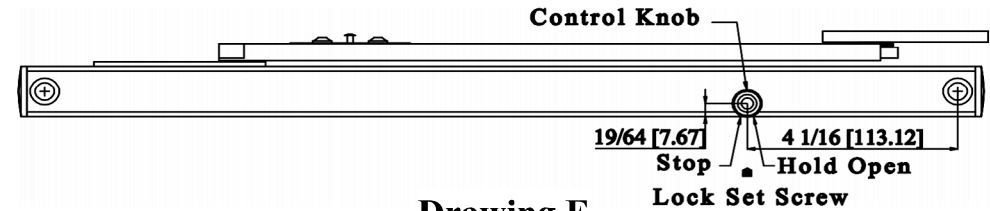
	Door Width (Inches)	Opening Degree	For All degrees		85°		90°		95°		100°		105°		110°	
			A	E	B	L	B	L	B	L	B	L	B	L	B	L
1 3/4 ~ 2 1/4 Center Hung	27 ~ 30	Inches	4 $\frac{9}{64}$	19 $\frac{5}{16}$	7 $\frac{13}{32}$	13 $\frac{3}{16}$	7 $\frac{3}{64}$	13 $\frac{37}{64}$	6 $\frac{25}{32}$	13 $\frac{31}{32}$	6 $\frac{39}{64}$	14 $\frac{3}{8}$	6 $\frac{33}{64}$	14 $\frac{49}{64}$	6 $\frac{15}{32}$	15 $\frac{5}{32}$
		mm	105.00	490.55	187.95	335.00	178.90	345.00	172.45	355.00	168.05	365.00	165.35	375.00	164.10	385.00
	31 ~ 33	Inches	6 $\frac{7}{64}$	19 $\frac{5}{16}$	8 $\frac{3}{64}$	15 $\frac{5}{32}$	7 $\frac{17}{32}$	15 $\frac{35}{64}$	7 $\frac{5}{32}$	15 $\frac{15}{16}$	6 $\frac{57}{64}$	16 $\frac{11}{32}$	6 $\frac{23}{32}$	16 $\frac{47}{64}$	5 $\frac{31}{32}$	16 $\frac{47}{64}$
		mm	155.00	490.55	204.25	385.00	191.25	395.00	181.75	405.00	175.10	415.00	170.75	425.00	151.45	425.00
	34 ~ 38	Inches	10 $\frac{15}{64}$	19 $\frac{5}{16}$	7 $\frac{29}{32}$	16 $\frac{1}{3}$	7 $\frac{5}{16}$	16 $\frac{23}{32}$	6 $\frac{57}{64}$	17 $\frac{1}{8}$	6 $\frac{39}{64}$	17 $\frac{1}{2}$	6 $\frac{7}{16}$	17 $\frac{29}{32}$	6 $\frac{21}{64}$	18 $\frac{5}{16}$
		mm	260.00	490.55	200.75	415.00	185.80	425.00	175.20	435.00	168.05	445.00	163.50	455.00	160.90	465.00
	39 ~ 43	Inches	13 $\frac{25}{64}$	19 $\frac{5}{16}$	7 $\frac{37}{64}$	19 $\frac{3}{32}$	7 $\frac{61}{64}$	19 $\frac{7}{8}$	7 $\frac{23}{64}$	20 $\frac{9}{32}$	6 $\frac{15}{16}$	20 $\frac{43}{64}$	6 $\frac{43}{64}$	21 $\frac{1}{16}$	6 $\frac{33}{64}$	21 $\frac{29}{64}$
		mm	340.00	490.55	192.30	485.00	202.05	505.00	186.80	515.00	176.40	525.00	169.60	535.00	165.45	545.00
	44 ~ 48	Inches	14 $\frac{11}{64}$	19 $\frac{5}{16}$	7 $\frac{25}{32}$	19 $\frac{7}{8}$	8 $\frac{7}{64}$	20 $\frac{43}{64}$	7 $\frac{15}{32}$	21 $\frac{1}{16}$	7 $\frac{1}{64}$	21 $\frac{29}{64}$	6 $\frac{47}{64}$	21 $\frac{27}{32}$	6 $\frac{35}{64}$	22 $\frac{1}{4}$
		mm	360.0	490.55	197.50	505.00	205.90	525.00	189.50	535.00	178.30	545.00	170.95	555.00	166.45	565.00

3. **Determine** "Hold open" or "Stop" function by turning Hold Open Latch. Turn Hold Open Latch toward Spring to "Stop" function and farthest away from Spring to convert to "Hold Open" as shown on drawing D. Tighten set screw as shown on drawing E.

**NOTE: If you are using a version without a hold-open option, please skip adjustments on Step 3 and continue to Step 4.**

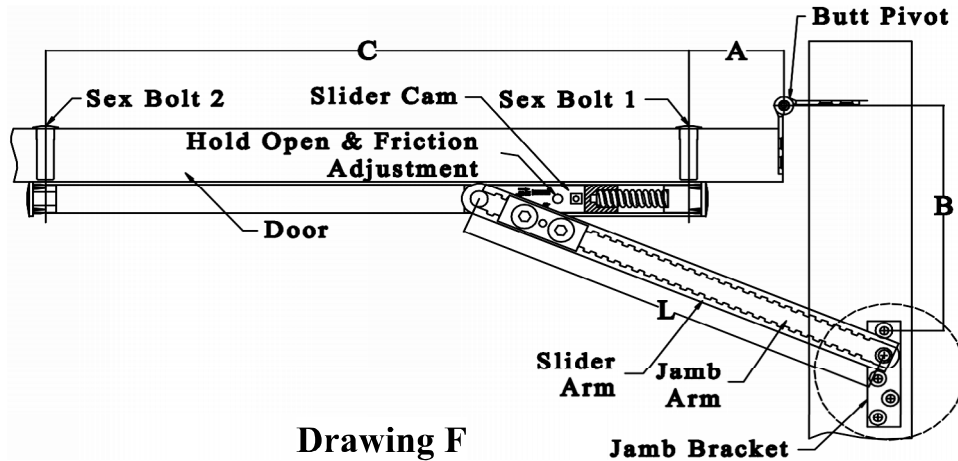


**Drawing D**

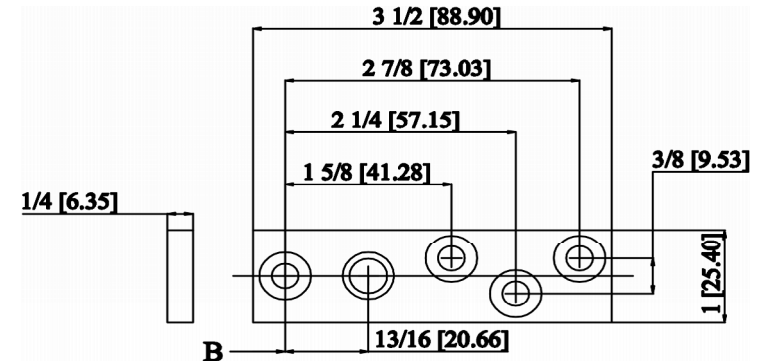


**Drawing E**

4. **Locate** "A" & "B" dimensions on door and frame as drawing F. Install jamb bracket on stop strip as shown on drawing G.



**Drawing F**

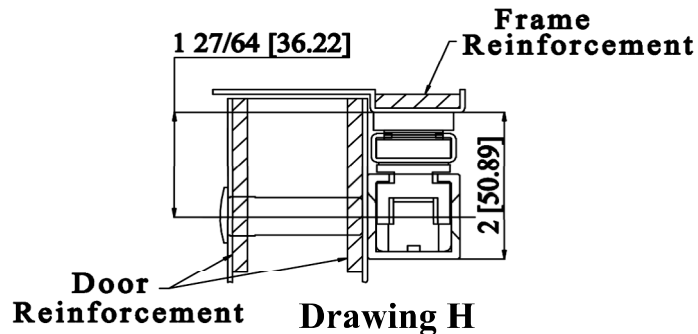


**Drawing G**

5. **Position** channel on door with shock end located towards pivot. Drill 1/2" (12.70) dia. Sex bolt 1 hole, "A" dimension, 1 27/64" (36.22) down from stop strip as shown drawing H.

6. **Install** channel on door with "A" dimension sex bolt. Locate "C" dimension sex bolt hole making sure that channel is horizontal and parallel with stop strip.

Drill 1/2" (12.70) dia. Sex bolt 2 hole and finish installing holder. Install control knob on channel as shown on drawing E.



**Drawing H**

**Note:**

1. All hollow metal frames are to be provided with 3/16" (4.8) min. Thickness X 12" (304.80) min length reinforcement plates.
2. All hollow metal doors are to be properly reinforced with 2 1/2" (63.50) wide X 3/16" (4.8) min. Thickness X full width of door reinforcement plates.
3. Hold open and friction are not permitted for use on fire doors. When used as hold open should be with door closer together, then UL listed is applicable.
4. All dimensions without showing unit are given in Inches [mm].

**Customer Service**  
1-877-671-7011 [www.allegion.com/us](http://www.allegion.com/us)