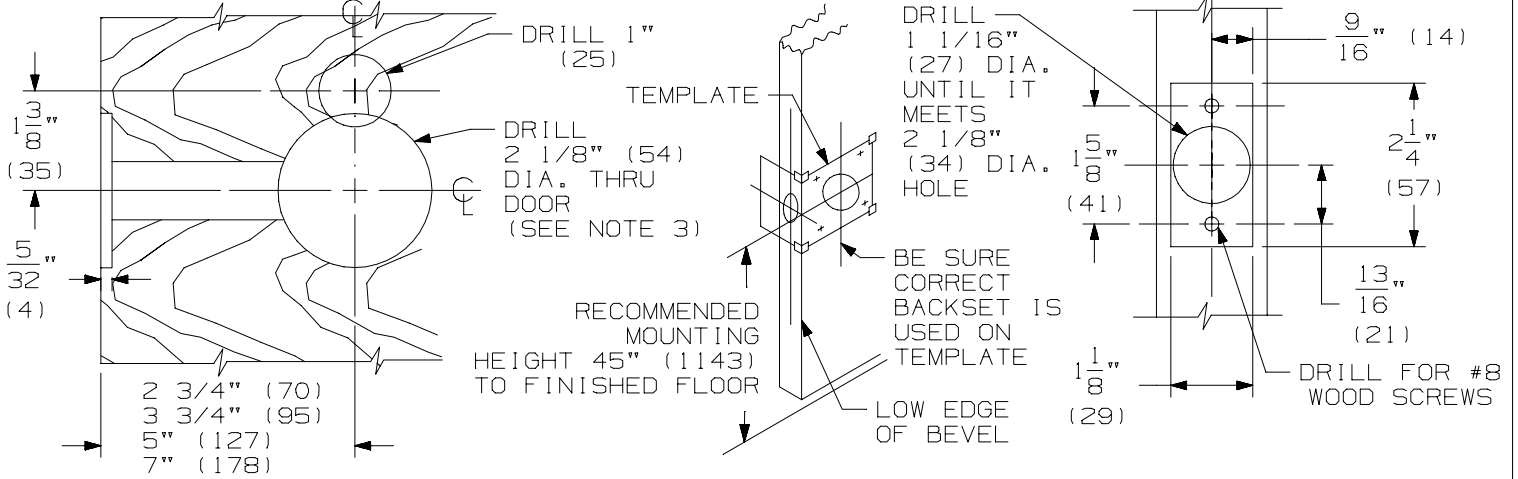


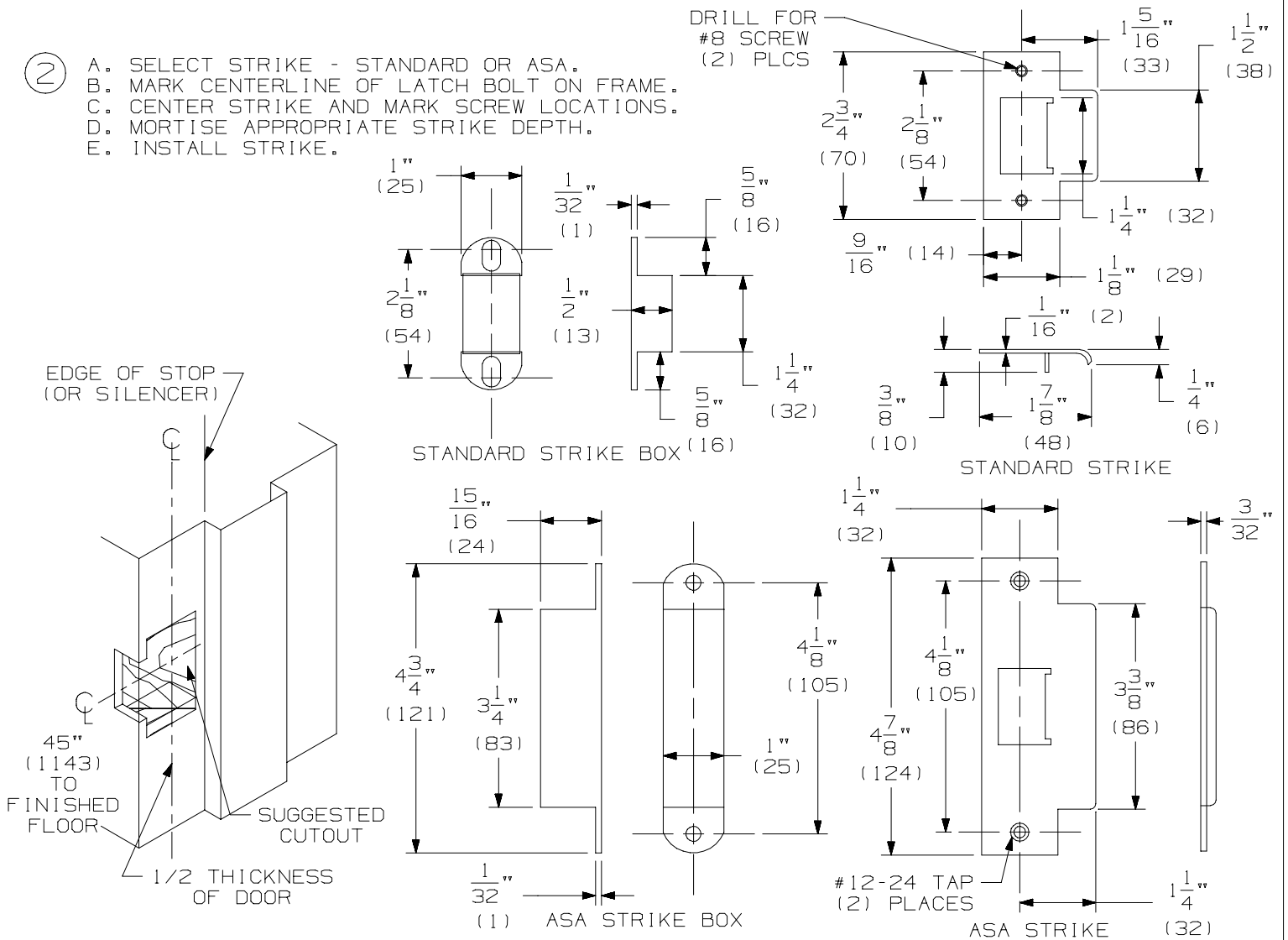
- ① A. INSTALL DOOR.
- B. MARK HORIZONTAL CENTERLINE ON DOOR AND EDGE OF DOOR.
- C. TAPE VERTICAL OR HORIZONTAL TEMPLATE TO THE DOOR (CHECK BACKSET).
- D. PREPARE DOOR FOR MOUNTING HOLES AS INDICATED ON TEMPLATE.

NOTES:

1. WOOD DOOR SHOWN.
2. FOR METAL DOORS USE #161 STANDARD CUTOUT.
3. THE 2 1/8" (54) HOLE CAN BE AS SMALL AS 1 1/16 (27) DIA.
4. LATCHES ARE NOT ADJUSTABLE FOR BEVELED EDGE DOORS.



- ② A. SELECT STRIKE - STANDARD OR ASA.
- B. MARK CENTERLINE OF LATCH BOLT ON FRAME.
- C. CENTER STRIKE AND MARK SCREW LOCATIONS.
- D. MORTISE APPROPRIATE STRIKE DEPTH.
- E. INSTALL STRIKE.



GLYNN-JOHNSON

**PL7/PL8 PRIVACY LATCH
INSTALLATION TEMPLATE**



NOTE: DIMENSIONS IN () ARE IN MILLIMETERS

TEMPLATE
NUMBER:

INST.PL_B.PG1

DATE:
05-29-15

③

- A. INSTALL LATCH BOLT ASSEMBLY WITH RADIUS SIDE OF LATCH BOLT TOWARDS THE PUSH SIDE OF DOOR.
- B. REMOVE COVERS FROM THE HANDLE ASSEMBLIES.
- C. CHECK CAM POSITION ON PUSH HANDLE ASSEMBLY. (SEE FIGURE 1)
- D. INSTALL PUSH HANDLE ASSEMBLY WITH LOCKSHAFT THRU LATCHBOLT ASSEMBLY.
- E. CHECK CAM POSITION ON PULL HANDLE ASSEMBLY.
- F. INSTALL PULL HANDLE ASSEMBLY WITH LOCKSHAFT INSERTED INTO CAM AND THUMBTURN SHAFT ENGAGED.
- G. INSTALL 4 THRU BOLTS AND NUTS BUT DO NOT TIGHTEN THE NUTS.
- H. SLIP COVERS ON HANDLE ASSEMBLY.
- I. TIGHTEN HANDLE MOUNTING SCREWS AND NUTS.
- J. INSTALL AND TIGHTEN COVER MOUNTING SCREWS.

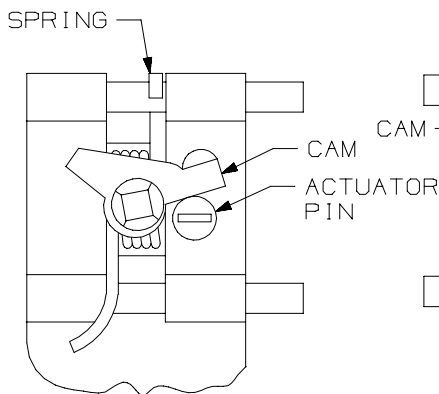


FIGURE 1
PUSH HANDLE

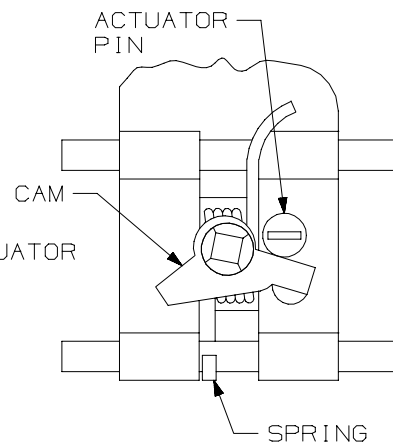


FIGURE 2
PULL HANDLE

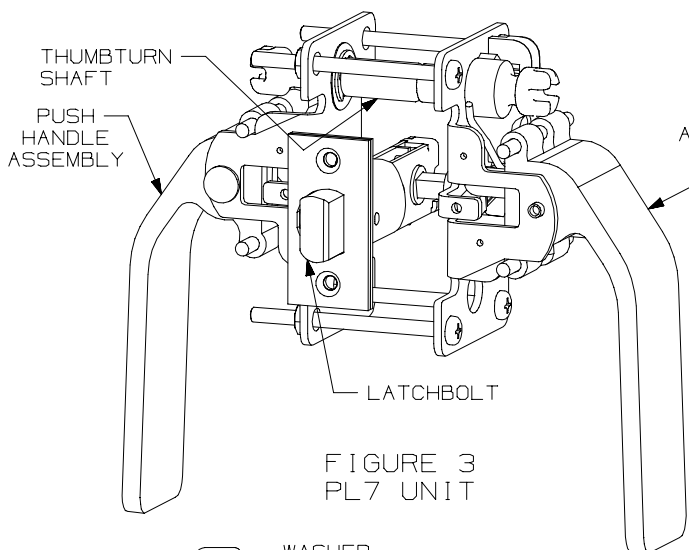


FIGURE 3
PL7 UNIT

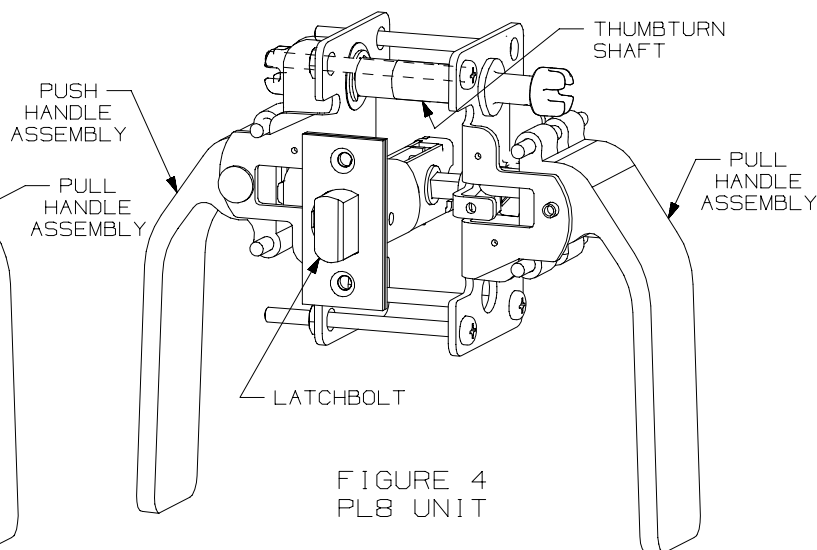


FIGURE 4
PL8 UNIT

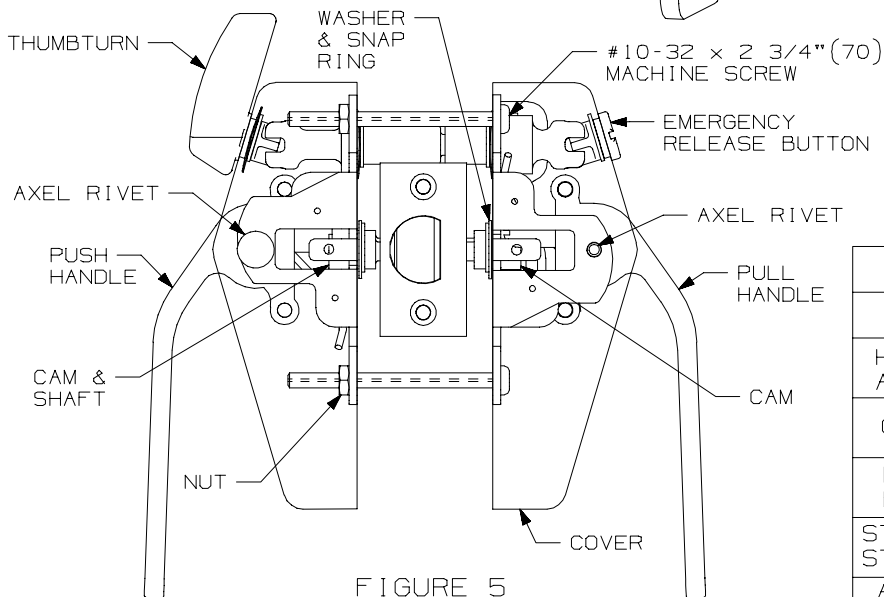


FIGURE 5
PL7 ASSEMBLY SHOWN

PL8 ASSEMBLY HAS THUMBTURN ON PULL SIDE & EMERGENCY RELEASE BUTTON ON PUSH SIDE

SCREW DETAILS

	QTY	WOOD	METAL
HANDLE ASSY	4	10-32 x 2 3/4" PPHMS & NUT	10-32 x 2 3/4" PPHMS & NUT
COVER	4	6-32 x 1/4" UFPHMS	6-32 x 1/4" UFPHMS
LATCH BOLT	2	8 x 3/4" FPHSMS	8-32 x 3/4" UFPHMS
STANDARD STRIKE	2	8 x 3/4" FPHSMS	8-32 x 3/4" UFPHMS
ASA STRIKE	2	12 x 3/4" FPHSMS	12-24 x 1/2" UFPHMS

GLYNN-JOHNSON

**PL7/PL8 PRIVACY LATCH
INSTALLATION TEMPLATE**



ALLEGION

NOTE: DIMENSIONS IN () ARE IN MILLIMETERS

TEMPLATE
NUMBER:

INST.PL_B.PG2

DATE:
05-29-15