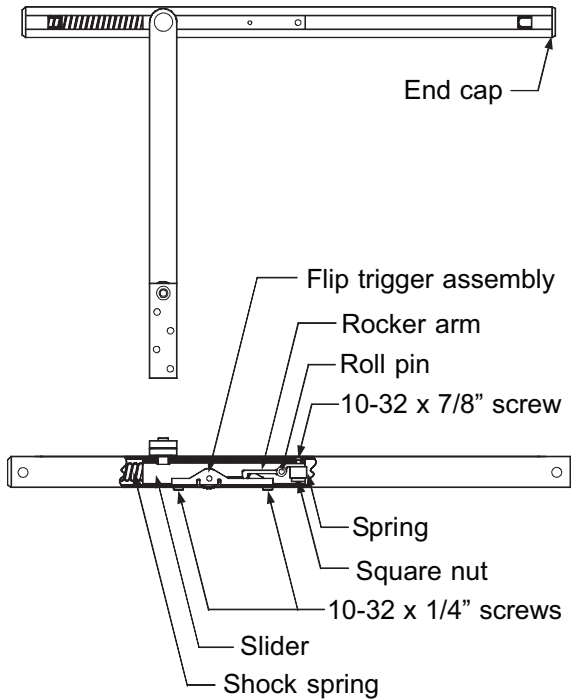




829407-00

Figure 1



Hold-open to Stop Only

(Refer to Figure 1)

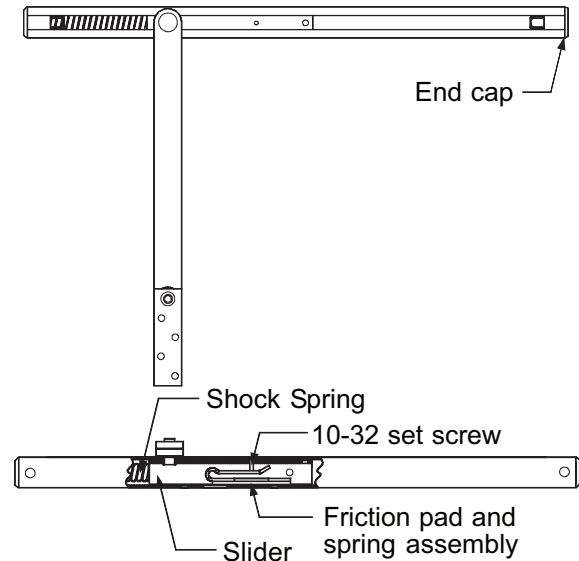
1. Remove the 2 screws on the bottom of the channel which hold the flip finger assembly in the channel.
2. With the slider away from the spring end of channel, remove the trigger assembly from the channel.

① **Note: When the trigger assembly is removed, the overhead will function as a stop only. Removing the hold-open components from the slider is not necessary for conversion.**

Optional

3. Remove the overhead unit from door and frame.
4. Remove the end cap by knocking the slide against it.
5. Slide the arm assembly out of the channel.
6. Remove the screw at the end of the slider. The square nut and spring will drop out of the slider.
7. Remove the roll pin from the side of the slider. The rocker arm will drop out of the slider.
8. Slide the arm assembly into channel, with the short end of the slider toward the shock spring in channel.
9. Replace the end cap.
10. Reinstall the overhead unit.

Figure 2



Friction Hold-open to Stop Only

(Refer to Figure 2)

1. Remove the set screw from the top of the slider.

① **Note: When the set screw is removed from slider, the overhead will function as a stop only. Removing the friction components from the slider is not necessary for conversion.**

Optional

2. Remove the overhead unit from door and frame.
3. Remove the end cap by knocking the slide against it.
4. Slide the arm assembly out of the channel. The friction pad and spring assembly will drop out of the slider.
5. Slide the arm assembly into channel, with the short end of the slider toward the shock spring in channel.
6. Replace the end cap.
7. Reinstall the overhead unit.

Stop Only to Hold-open

(Refer to Figure 1)

1. Remove the overhead unit from door and frame.
2. Remove the end cap by knocking the slide against it.
3. Slide the arm assembly out of the channel.
4. Place rocker arm inside slider as shown.
5. Install roll pin through slider and rocker arm.
6. Put screw through the top of the slider in the hole nearest the end of the slider.
7. Place spring over screw inside the slider.
8. Put square nut over screw and tighten about 4 turns.
9. Place the flip trigger assembly inside channel with the short end of the assembly toward the shock spring.
10. Secure the flip trigger assembly with 2 screws through the bottom of the channel.
11. Grease the rocker arm and the flip trigger with a graphite or white lithium grease, not supplied in kit.
12. Slide the arm assembly into channel, with the short end of the slider toward the shock spring in channel.
13. Replace the end cap.
14. Reinstall the overhead unit.
15. Adjust the hold-open tension as described in the installation instructions.

Friction Hold-open to Hold-open

(Refer to Figure 1 and 2)

1. Remove the overhead unit from door and frame.
2. Remove the end cap by knocking the slide against it.
3. Slide the arm assembly out of the channel. The friction pad and spring assembly will drop out of the slider.
4. Remove the set screw from the middle of the slider.
5. Place rocker arm in slider as shown.
6. Install roll pin through slider and rocker arm.
7. Put screw through the top of the slider in the hole nearest the end of the slider.
8. Place spring over screw inside the slider.
9. Put square nut over screw and tighten about 4 turns.
10. Place the flip trigger assembly inside channel with the short end of the assembly toward the shock spring.
11. Secure the flip trigger assembly with 2 screws through the bottom of the channel.
12. Grease the rocker arm and the flip trigger with a graphite or white lithium grease, not supplied in kit.
13. Slide the arm assembly into channel, with the short end of the slider toward the shock spring in channel.
14. Replace the end cap.
15. Reinstall the overhead unit.
16. Adjust the hold-open tension as described in the installation instructions.

Stop Only to Friction Hold-open

(Refer to Figure 2)

1. Remove the overhead unit from door and frame.
2. Remove the end cap by knocking the slide against it.
3. Slide the arm assembly out of the channel.
4. Remove any grease from inside channel.
5. Place friction pad and spring assembly into slider.
6. Slide the arm assembly back into the channel with the short end of the slider toward the shock spring end of the channel.
7. Put set screw in top of slider.
8. Replace the end cap.
9. Reinstall the overhead unit.
10. Adjust the friction hold-open tension as described in the installation instructions.

Hold-open to Friction Hold-open

(Refer to Figure 1 and 2)

1. Remove the overhead unit from door and frame.
2. Remove the end cap by knocking the slide against it.
3. Slide the arm assembly out of the channel.
4. Remove the 2 screws on bottom of channel which hold the flip trigger assembly in the channel.
5. Remove the trigger assembly from channel.
6. Remove any grease from inside channel.
7. Remove the screw from the end of the slider. The square nut and spring will drop out of the slider.
8. Remove the roll pin from the side of the slider. The rocker arm will drop out of the slider.
9. Place friction pad and spring assembly into slider.
10. Slide the arm assembly back into the channel with the short end of the slider toward the shock spring end of the channel.
11. Put set screw in top of slider.
12. Replace the end cap.
13. Reinstall the overhead unit.
14. Adjust the friction hold-open tension as described in the installation instructions.