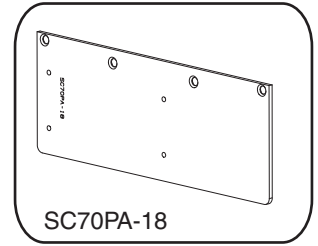
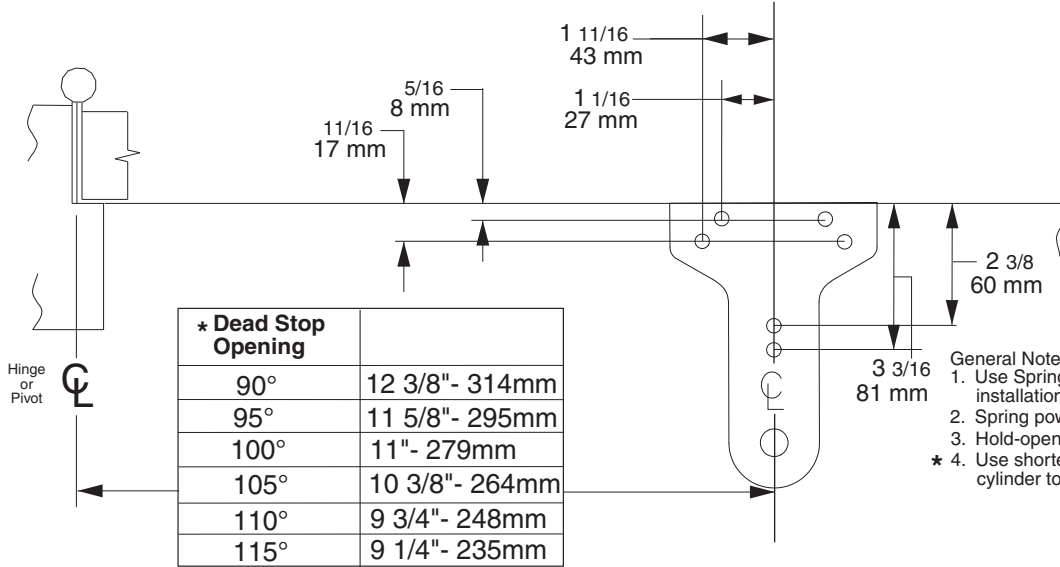


SC 71 Spring -N- Stop (or w/ SNS Hold-Open) PUSH SIDE (PA DOOR MOUNT) DROP PLATE PERMITS 115° MAX. OPENING, BUTT SIZE 5x5 MAX.

**PUSH SIDE MOUNT ON:
SC70PA-18 DROP PLATE**



SC70PA-18



- General Notes:
1. Use Spring -N- Stop instruction sheet for installation sequence and closer adjustments.
 2. Spring power faces *away* from the hinge edge.
 3. Hold-open point is 5° less than dead stop opening.
 - * 4. Use shorter machine screws to attach cylinder to drop plate.

LEFT HAND DOOR ILLUSTRATED. Same dimensions apply for Right Hand Door measured from center line of hinge.

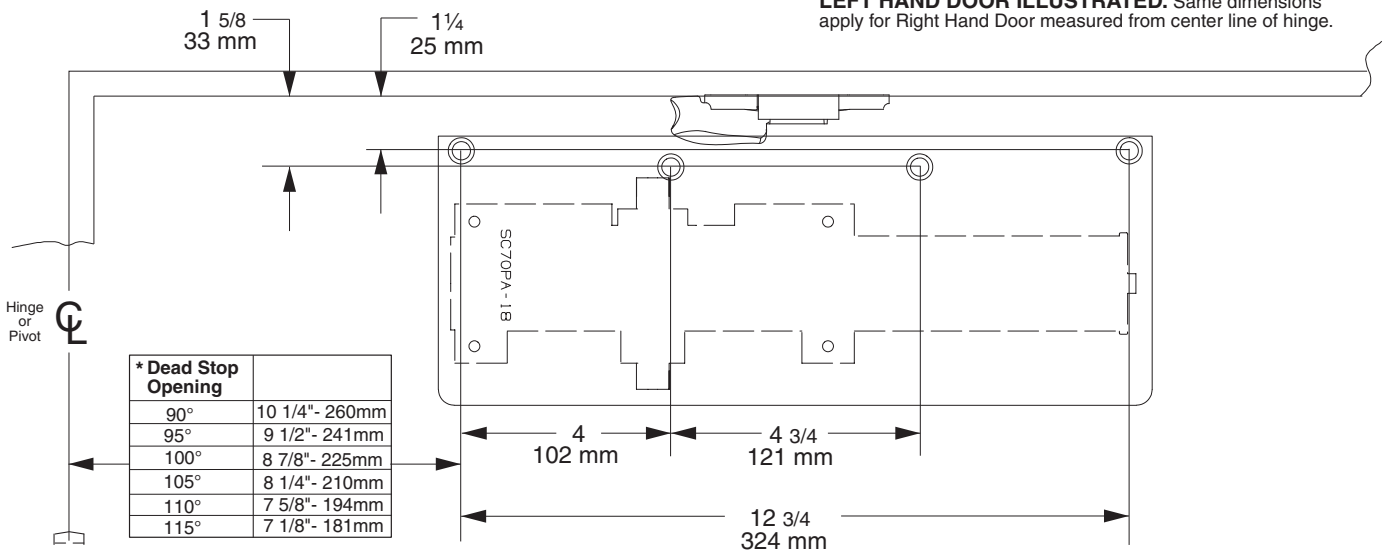


PLATE FASTENERS

		DOOR / FRAME	DRILL-SIZES
PLATE	1/4-20 machine	METAL	drill: #7 tap: 1/4-20
	#14 wood	WOOD	1/8"
CLOSER BODY	1/4-20 machine	PLATE	N/A

CAUTION
IMPROPER INSTALLATION OR REGULATION MAY RESULT IN PERSONAL INJURY OR PROPERTY DAMAGE. FOLLOW ALL INSTRUCTIONS CAREFULLY FOR QUESTIONS, CALL FALCON AT 1-877-671-7011.

ADVERTENCIA
Una instalación o un ajuste incorrectos pueden resultar en daño personal o material. Siga bien todas las instrucciones, para más informaciones, llama a lcn al 1-877-671-7011

DANGER
Une installation ou un réglage inadéquats peuvent entraîner des blessures ou des dommages. Veuillez suivre toutes les instructions avec soin. Pour plus de renseignements, composez le 1-877-671-7011.

Customer Service Servicio al cliente Service à la clientèle
1-877-671-7011 www.allegion.com/us